



PT. SCG LIGHTWEIGHT CONCRETE INDONESIA
JL. Surya Tekno KAV I-T1-3 Suryacipta City Of Industry,
Kutamekar, Ciampel Jawa Barat 41361 Indonesia
Phone : 0267-8610361
Fax : 0267-8610360
N.P.W.P : 31.567.302.0-433.000

PURCHASE ORDER

To : PT. S.A.N JAYA TEKNIK
JL. SADANG NO.121
BANDUNG 40225
Indonesia

PO No. : 4021012456
PO Date : 08.07.2022
PO Currency : IDR



Phone : 0225424694
Fax : 0225414583
N.P.W.P : 315840538445000

Please supply the following item

No.	Material Code	Item Description	Qty	Unit	Delivery Date	Unit Price	Total Amount	Discount
10		Bushing Cutting Board Movement	4	PC	02.08.2022	2,914,125 / 1	11,656,500	0
20		Bushing Cutting Board Arrest Outer	2	PC	02.08.2022	2,042,500 / 1	4,085,000	0
30		Bushing Cutting Board Arrest Inner	2	PC	02.08.2022	1,245,925 / 1	2,491,850	0

Delivery To : PT SLCI
JL. Surya Tekno KAV I-T1-3 Suryacipta City Of Industry,
Karawang 41361 Indonesia
Term of Payment : Credit 30 days after received bill
Remarks : PR 1021012000, 1201012001
(10) 2012-DWG-CP-M-000514-025 Rev 2
(20) 2012-DWG-CP-M-00514-031-A
(30) 2012-DWG-CP-M-00514-030-A rev 2

Total Prices 18,233,350
PPN (VAT) 2,005,669
Grand Total 20,239,019

Prepared By	Checked By	Approved By	Confirmed By (Vendor)
 Arfandi			



Price Comparison Form

Price Investigation
Acquisition by Tender

Raw Material
 Supply
 Made to Order

Services
 Other.....

No. PC A2352

No.	Description	Quantity	Last price / Standard Price		PT SAN Jaya Teknik		PT Asri Darma Teknik		PT. Cipta Presisi Mandiri		Last Order		
			As At.....		c/o Mrs. Githa		c/o Mr Chandra		c/o Mr Farizal		Supplier:		
			Price	Supplier Name	Price	Delivery	Price	Delivery	Price	Delivery	Price	Date	Remarks
1	Bushing Cutting Board Movement	4 pcs	Rp11,656,500	PT SAN Jaya Teknik	Rp2,914,125	-	Rp4,850,000		Rp3,100,000		Rp2,700,000	8/4/2021	PT Cipta Presisi Mandiri
2	Bushing Cutting Board Arrest Outer	2 pcs	Rp4,085,000	PT SAN Jaya Teknik	Rp2,042,500	-	Rp2,500,000		Rp2,200,000		Rp1,548,750	6/18/2021	PT SAN Jaya Teknik
3	Bushing Cutting Board Arrest Inner	2 pcs	Rp2,491,850		Rp1,245,925	✓	Rp2,100,000		Rp1,500,000		Rp945,000	6/18/2021	PT SAN Jaya Teknik
	(1) 2012-DWG-CP-M-000514-025 Rev 2												
	(2) 2012-DWG-CP-M-00514-031-A												
	(3) 2012-DWG-CP-M-00514-030-A rev 2												
			Rp18,233,350										

Verbal Price Investigation and Documented
 Price Negotiation
 Price investigation and Verbal Offering Price
 Documented price investigation and documented Offering Price
 Special Acquisition

Reason : lowest price

Require Approval not to Sign Contract Because Good History Supplier

Urgently
 Acquire From Specific Source
 Acquire From Affiliate
 Urgently

Lowest Price / Former Price
 Quality
 Delivery
 Monopoly

Prepared by: Arfandi K. Date: 07-07-2022	Committee of Opening the Seal Price / Price Investigator	Authorized Person...../...../..... Section Manager...../...../..... Department Manager...../...../..... Division Manager...../...../..... Managing Director...../...../..... President...../...../.....
	Date:	

PURCHASE REQUEST CHECK APPROVAL

ITEM DESCRIPTION

PR Number : 1021012000
Total Price : **IDR 10,400,000**
Attachment : [Click here \(https://iot.slci.co.id/assets/lampiranpr/PR_1021012000.pdf\)](https://iot.slci.co.id/assets/lampiranpr/PR_1021012000.pdf)

Details PR

No.	Item	A	Material	Short Text	Quantity	Unit	Delivery Date	Plant	Matl.Group	PGR	Value
1	10	K		Bushing Cutting Board Movement (see dwg)	4	PC	02.08.2022	PT SLCI	Supplies	DBA	10,400,000

Purpose:

[10] Replacement bushing CB movement Tilting 1, last install Sep 2021. Details : 2012-DWG-CP-M-000514-025

GL: 523072

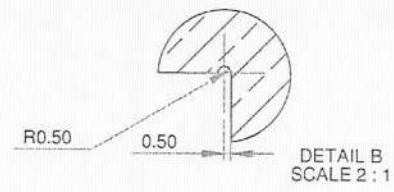
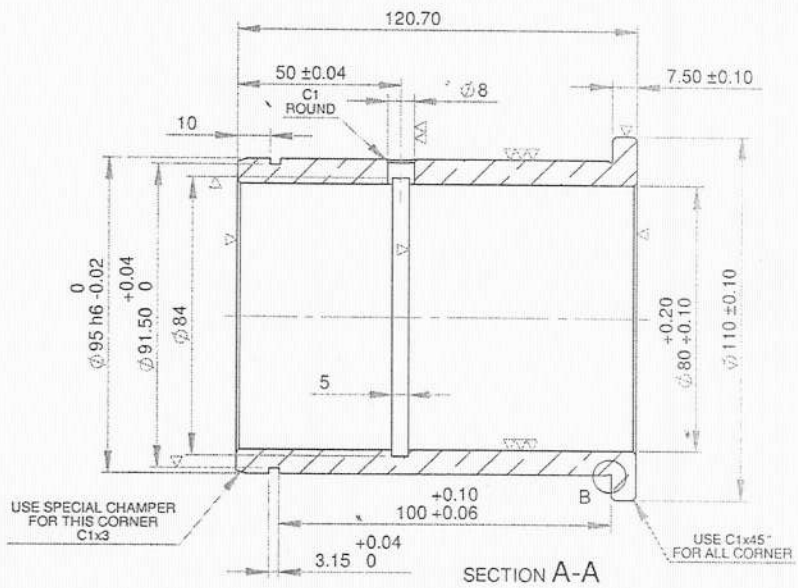
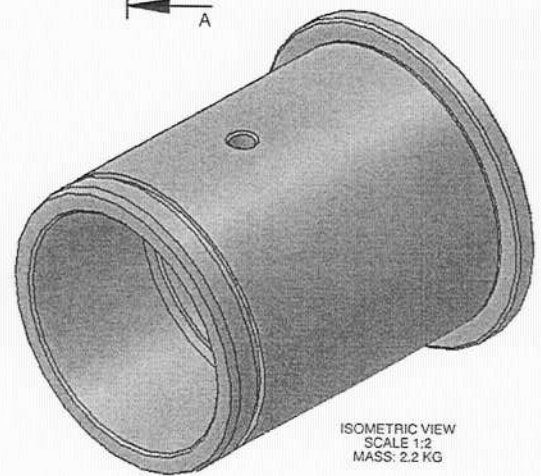
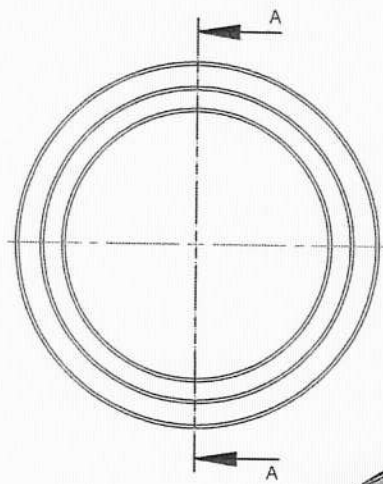
CC: 2011-10000

Dibuat Oleh,
90587(Taufik Hidayat)
2022-05-31 10:40:43

Checked by,
90156(Mochamad Nugrahaputra)
Approved at 2022-05-31 14:21:55

Budget Control,
90696(Mukhtar L)
Approved at 2022-06-20 15:11:16

Approved by,
90005(Vorapong Panavasus)
Approved at 2022-06-20 16:49:57



** INCOMING PART WILL BE CHECK. IT WILL RETURN IF NOT PASS **

POLISHING	GRINDING	NORMAL MACHINING (SMOOTH SURFACE)	NORMAL MACHINING (ROUGH SURFACE)
▽▽▽	▽▽	▽	▽

1	BUSHING	1	BRONZE	
POS	DESCRIPTION	QTY	MATERIAL	REMARKS
FILE DIR: \\192.168.4.15\mechanical\Draft Nuryana\Proyek Pak Arifin\Bushing tilting\		SCALE: 1:2		DIM: mm
DIM: mm		NAME		DATE
DRAWN	ENDEN	16-Oct-18	SIGN	
DESIGN	B.ARIFIN			
CHECK	YESSIKO			
APRV	M. NUGRAHA			
CANCEL DWG NO.				
REF DWG NO.				
MECHANICAL ENGINEERING SECTION				
TITLE CUTTING PLAN - TILTING				
BUSHING CUTTING BOARD MOVEMENT				

PURCHASE REQUEST CHECK APPROVAL

ITEM DESCRIPTION

PR Number : 1021012001
Total Price : IDR 5,000,000
Attachment : [Click here \(https://iot.slci.co.id/assets/lampiranpr/PR_1021012001.pdf\)](https://iot.slci.co.id/assets/lampiranpr/PR_1021012001.pdf)

Details PR

No.	Item	A	Material	Short Text	Quantity	Unit	Delivery Date	Plant	Matl.Group	PGR	Value
1	10	K		Bushing Cutting Board Arrest Outer	2	PC	07.07.2022	PT SLCI	Supplies	DBA	3,000,000
2	20	K		Bushing Cutting Board Arrest Inner	2	PC	07.07.2022	PT SLCI	Supplies	DBA	2,000,000

Purpose:

[10] Bushing Cutting Board arrest Tilting 1, last replace Jul 2021. Details : 2012-DWG-CP-M-000514-031-A (Bushing CB Arrest Out)

[20] Details : 2012-DWG-CP-M-000514-030-A (Bushing CB Arrest In)

GL: 523072

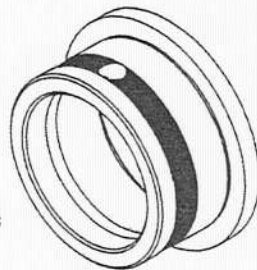
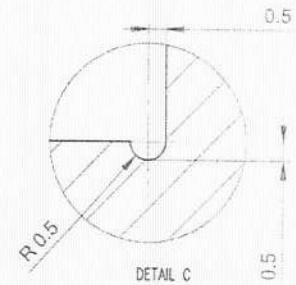
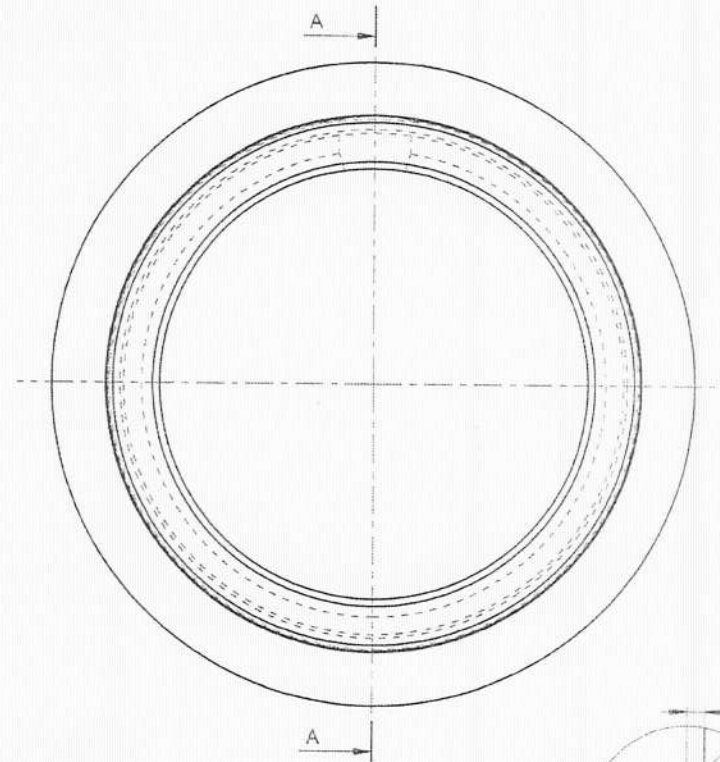
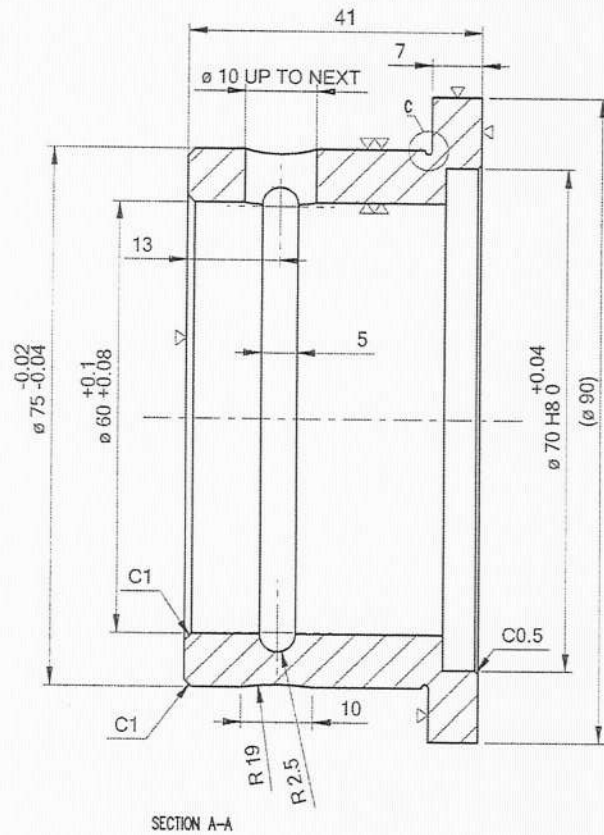
CC: 2011-10000

Dibuat Oleh,
90587(Taufik Hidayat)
2022-05-31 10:42:27

Checked by,
90156(Mochamad Nugrahaputra)
Approved at 2022-05-31 14:22:03

Budget Control,
90696(Mukhtar L)
Approved at 2022-06-20 15:11:45

Approved by,
90156(Mochamad Nugrahaputra)
Approved at 2022-06-21 11:12:44



ISOMETRIC VIEW
*NB= ESTIMATION WEIGHT: 0.8 KG

**** INCOMING PART WILL BE CHECK. IT WILL RETURN IF NOT PASS ****

1	BUSHING INNER	1	BRONZE	
POS	DESCRIPTION	QTY	MATERIAL	REMARKS
FILE DIR: -		SCALE: 1:1		ASSY NO.
DIM: mm		MECHANICAL ENGINEERING SECTION		
DRAWN	NAME	DATE	SIGN	
DESIGN	ENDEN	-	TITLE CUTTING PLAN - TILTING	
CHECK	USER		BUSHING CUTTING	
APRV	YESSIKO		BOARD ARREST INNER	
	MUNGRAHA			
(*) = GENERAL TOLERANSI ±0.2% x DIMENSION				
REF DWG NO. 2012-DWG-CP-M-00514-031				

POLISHING	GRINDING	NORMAL MACHINING (SMOOTH SURFACE)	NORMAL MACHINING (ROUGH SURFACE)
▽▽▽	▽▽	▽	▽



PT SCG LIGHTWEIGHT CONCRETE INDONESIA

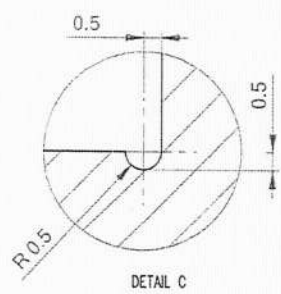
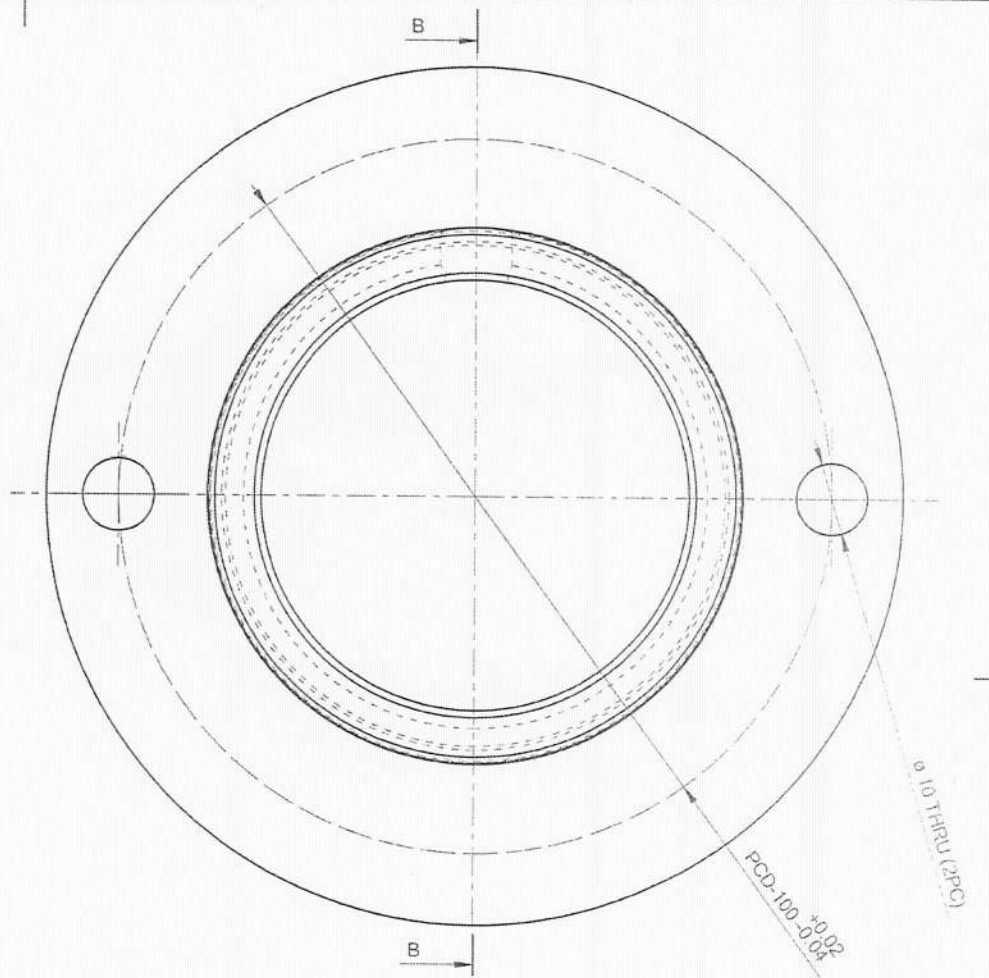
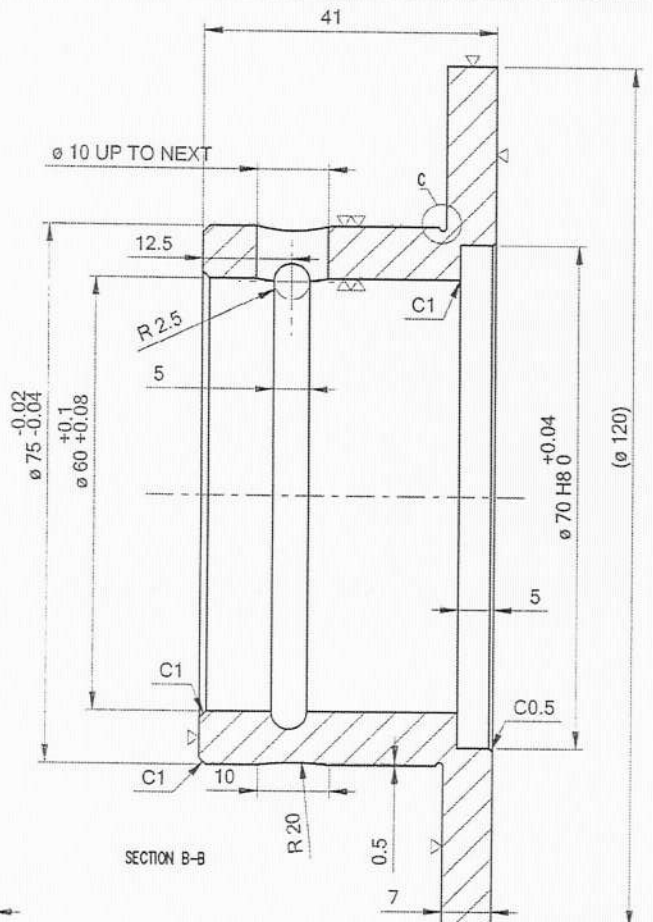
A4

2012-DWG-CP-M-00514-030-A

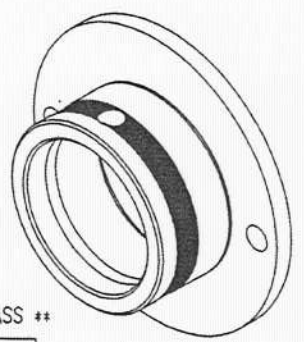
REV NO. PAGE

2

-



ISOMETRIC VIEW
 *NB= ESTIMATION WEIGHT: 1.4 KG



** INCOMING PART WILL BE CHECK. IT WILL RETURN IF NOT PASS **

POLISHING	GRINDING	NORMAL MACHINING (SMOOTH SURFACE)	NORMAL MACHINING (ROUGH SURFACE)
▽▽▽	▽▽	▽	▽

1	BUSHING OUTER	1	BRONZE	
POS	DESCRIPTION	QTY	MATERIAL	REMARKS
FILE DIR:	-		SCALE: 1:1	DIM: mm ASSY NO.
DIM: mm	NAME	DATE	SIGN	MECHANICAL ENGINEERING SECTION
DRAWN	ENDEN			TITLE CUTTING PLAN - TILLING
DESIGN	USER			BUSHING CUTTING BOARD ARREST OUTER
CHECK	YESSIKO			
APRV	MINURAH			
(*) = GENERAL TOLERANSI ±0.2% x DIMENSION				
REF DWG NO. 2012-DWG-CP-M-00514-031				
SCG	PT SCG LIGHTWEIGHT CONCRETE INDONESIA	A4	2012-DWG-CP-M-00514-031-A	REV NO. PAGE

A. Biodata Workshop PT. S.A.N Jaya Teknik Jl. Sadang No. 164 Margahayu Bandung 40225 Telp : (022) 5404965, 5417604 Fax : (022) 5414583 Email : nandang_sanjaya184@yahoo.com Website : www.sanjayateknik.com Mobile : 0813 210909 08 0878 210909 19	B. Biodata Customer Kepada Yth Nama Perusahaan : PT. SCG Lightweight Concrete Ind. Alamat : Surya Cipta City of Industry Karawang - Indonesia Telp. : (0267) 8610 362, 8610 363 Fax : (0267) 8610 360 Email : yoki@slci.co.id Person : Bpk. Arfandi
---	---

Dengan Hormat,
 Berikut ini kami sampaikan penawaran harga untuk barang berikut dibawah ini :

C. Biodata Pekerjaan

Jenis Pekerjaan : Manufaktur Fabrikasi Repair Modifikasi

Sub Bidang : Part/Komponen Sub Assy Complete Assy

confirmed by Bu Githa 2/9.

No.	Nama Barang	Qty	Sat	Harga Satuan (Rp)	Jumlah Harga (Rp)
1.	BUSHING CUTTING BOARD ARREST OUTER	2	Pcs	2.042.500 2.150.000	4.300.000
2.	BUSHING CUTTING BOARD ARREST INNER	2	Pcs	1.245.925 1.311.500	2.623.000
3.	BUSHING CUTTING BOARD MOVEMENT	4	Pcs	2.914.125 3.067.500	12.270.000
Jumlah					19.193.000
PPN 11%					2.111.230
Total					21.304.230



Terbilang : Dua Puluh Satu Juta Tiga Ratus Empat Ribu Dua Ratus Tiga Puluh Rupiah

Spesifikasi/Dimensi/Keterangan	Ruang Lingkup kerja Umum (RLKU) <ul style="list-style-type: none"> - Inspeksi Awal, - Diskusi Teknik, - Pengadaan material, - Proses Produksi Ruang Lingkup Kerja Produksi (RLKP) <ul style="list-style-type: none"> - Cutting - Drilling - Turning - Frais Milling - Polishing
---------------------------------------	--

D. Sketsa / Catatan

1. TOLERANSI DIMENSI DAN GEOMETRIS SESUAI DENGAN STANDARD ISO
2. PT. Sanjaya Teknik akan mengajukan addendum harga apabila ada pekerjaan diluar ruang lingkup pekerjaan diatas

Demikian surat penawaran harga ini kami sampaikan, dan kami tunggu kabar baik selanjutnya. Atas perhatian, kepercayaan dan kerjasamanya yang baik selama ini, kami ucapkan terima kasih.

E. Ketentuan Proses Kerja : Pembayaran : Down Payment (DP): Validasi Penawaran : 1 Minggu Keterangan : Pekerjaan setelah DP, PO/SPK diterima	Dibuat Oleh,  (Githa Yuthika)	Diketahui Oleh,  (Nandang Sophian)
--	---	---



PT. CIPTA PRESISI MANDIRI

PART SPECIALIST, DIES, GEAR, GENERAL CONTRACTOR & ENGINEERING SERVICE

Komplek Pergudangan Kamal Indah
BLOK E no.8 Kamal - Kalideres, Jakarta Barat
Telp. : (021) 2255 7468, 5595 9153 Fax: (021) 5595 9153
Mobile : 0812 1978 1011
E-mail : cpmindonesia@yahoo.co.id

Jakarta 28 Juni 2022

Nomor : 263/CPM/VII/22/SLCI/023

Hal : Penawaran Harga

Kepada

PT. SCG Lightweight Concrete Indonesia

Jl.Surya Tekno Kav. I-T1-3 Surya Cipta

Karawang, Jawa Barat 41361

Up. Bp. Yoki Radiansyah

Telp. (0267) 8610362

Dengan hormat,

Bersama ini kami sampaikan penawaran harga untuk pembuatan part standard sesuai dengan gambar yang kami terima, adalah sebagai berikut:

No.	Part Name	DWG No	Mtrl	Qty	Harga	Jumlah
1	Bushing Cutting Board Movement dia 110 x 120.7	2012-DWG-CP-M-000514-025	Bronze	4 Pcs	3.500,000	Rp 14,000,000
2	Bushing Cutting Board Arrest Inner dia 90 x 41	2012-DWG-CP-M-000514-030-A	Bronze	2 Pcs	1.750,000	Rp 3.500,000
3	Bushing Cutting Board Arrest Outer dia 120 x 41	2012-DWG-CP-M-000514-031-A	Bronze	2 Pcs	2.500,000	Rp 5,000,000
TOTAL						Rp 22,500,000

* Harga diatas belum termasuk PPN 11 %

Keterangan:

- Delivery : ± 4 - 6 Minggu setelah PO diterima
- Pembayaran : 2 Minggu setelah barang diterima
- Penawaran ini berlaku selama 1 minggu

Demikian surat penawaran ini kami buat. Atas perhatian dan kerjasamanya kami ucapkan terima kasih.

Hormat kami,



Farizal

3.100.000

1.500.000

2.200.000

Confirmed by
Pak Farizal
.b/q.



PT. ASRI DARMA TEKNIK

Machining & Fabrication

Jl. Manunggal VII Kel. Palumbonsari - Karawang Timur - Karawang
Phone : 081369375465 - Email : asri_darmateknik@yahoo.com

QUOTATION

Karawang, 07 Juli 2022

Quot'No : 178/QTN-CUS/ADT/VII/2022
Subject : Quotation
Page : 1 of 1
Revisi :
:
To : **PT.SCG LIGHTWEIGHT CONCRETE INDONESIA**
Alamat : KAWASAN INDUSTRI SURYA CIPTA KARAWANG

Attn : Mr. Arfandi
Cc : Mr. Yoki/Mr. Diki

Thank you for your inquiry in we have pleasure to submit our offer as follow :

No	Dwg Code	Description	Qty	Unit Price (IDR)	Amount(IDR)	
1		BUSHING CUTTING BOARD ARREST OUTER	2 PCS	Rp 2,500,000	Rp 5,000,000	
2		BUSHING CUTTING BOARD ARREST INNER	2 PCS	Rp 2,100,000	Rp 4,200,000	
3		BUSHING CUTTING BOARD MOVEMENT	4 PCS	Rp 4,850,000	Rp 19,400,000	
		Material : Bronze				
Note :					Total	Rp 28,600,000
- Harga tidak terikat sewaktu-waktu dapat berubah					PPN 11%	Rp 3,146,000
- Berlaku sampai 7 hari setelah Quotation di kirim					Sub Total	Rp 31,746,000

We are looking forward for your best reply confirmation
PT. ASRI DARMA TEKNIK

Chandra Darmawan
Marketing & Sales
Hp. 081369375465