

**SCG**

**PT. SCG LIGHTWEIGHT CONCRETE INDONESIA**  
 JL. Surya Tekno KAV I-T1-3 Suryacipta City Of Industry,  
 Kutamekar, Ciampel Jawa Barat 41361 Indonesia  
 Phone : 0267-8610361  
 Fax : 0267-8610360  
 N.P.W.P : 31.567.302.0-433.000

**PURCHASE ORDER**

To : CV ADWITIYA ENGINEERING  
 KP CIBITUNG RT 003 RW 005 TELAGA ASIH  
 CIKARANG BARAT  
 BEKASI  
 Indonesia  
 Phone : 021 2216 2781  
 Fax :  
 N.P.W.P :

PO No. : 4021012646  
 PO Date : 25.08.2022  
 PO Currency : IDR

Please supply the following item

No.	Material Code	Item Description	Qty	Unit	Delivery Date	Unit Price	Total Amount	Discount
10		Rubber Stamping Assy 127x50mm	20	PC	12.09.2022	1,700,000 / 1	34,000,000	0



Delivery To : PT SLCI  
 JL. Surya Tekno KAV I-T1-3 Suryacipta City Of Industry,  
 Karawang 41361 Indonesia

Total Prices 34,000,000  
 PPN (VAT) 3,740,000  
 Grand Total 37,740,000

Term of Payment : Credit 30 days after received bill

Remarks : PR 1021012250

Barang yang tidak sesuai spesifikasi akan kami kembalikan  
 Wajib mematuhi aturan keselamatan selama berada di PT. SLCI  
 2012-DWG-CPL-ST2-M-001

Prepared By	Checked By	Approved By	Confirmed By (Vendor)
 Arfandi			



### Price Comparison Form

Price Investigation  
 Acquisition by Tender

Raw Material  
 Supply  
 Made to Order

Services  
 Other.....

No. PC A2424

No.	Description	Quantity	Last price / Standard Price		CV Adwitiya Engineering		PT Pro Roll International		Last Order			
			As At.....		c/o Mr. Agus		c/o Mr. Yayang		Supplier:			
			Price	Supplier Name	Price	Delivery	Price	Delivery	Price	Delivery	Price	Date
1	Rubber Stamping Assy 127x50mm 2012-DWG-CPL-ST2-M-001	20 set	Rp34.000.000	CV Adwitiya Engineering	Rp1.700.000		Rp3.800.000					
			Rp34.000.000									

Verbal Price Investigation and Documented  
 Price Negotiation  
 Price investigation and Verbal Offering Price  
 Documented price investigation and documented Offering Price  
 Special Acquisition

Reason : lowest price

Require Approval not to Sign Contract Because Good History Supplier

Urgently  
 Acquire From Specific Source  
 Acquire From Affiliate  
 Urgently

Lowest Price / Former Price  
 Quality  
 Delivery  
 Monopoly

Prepared by :  Arfandi K. Date: 08-25-2022	Committee of Opening the Seal Price / Price Investigator Date .....	Acknowledge by: Section Manager  Date .....	Acknowledge by: Plant Manager  Date .....
---	---	--	--

# PURCHASE REQUEST CHECK APPROVAL

## ITEM DESCRIPTION

**PR Number** : 1021012250  
**Total Price** : IDR 30,000,000  
**Attachment** : [Click here \(https://iot.slci.co.id/assets/lampiranpr/PR\\_1021012250.pdf\)](https://iot.slci.co.id/assets/lampiranpr/PR_1021012250.pdf)

## Details PR

No.	Item	A	Material	Short Text	Quantity	Unit	Delivery Date	Plant	Matl.Group	PGR	Value
1	10	F		Additional Assy Rubber Dia.127x50mm	20	PC	04.08.2022	PT SLCI	Asset; AUC	DBA	30,00

### Purpose:

[10] Additional rubber assy size : Dia. 127x50mm for Ball Mill #2

GL: 910030

IO: 201020000209

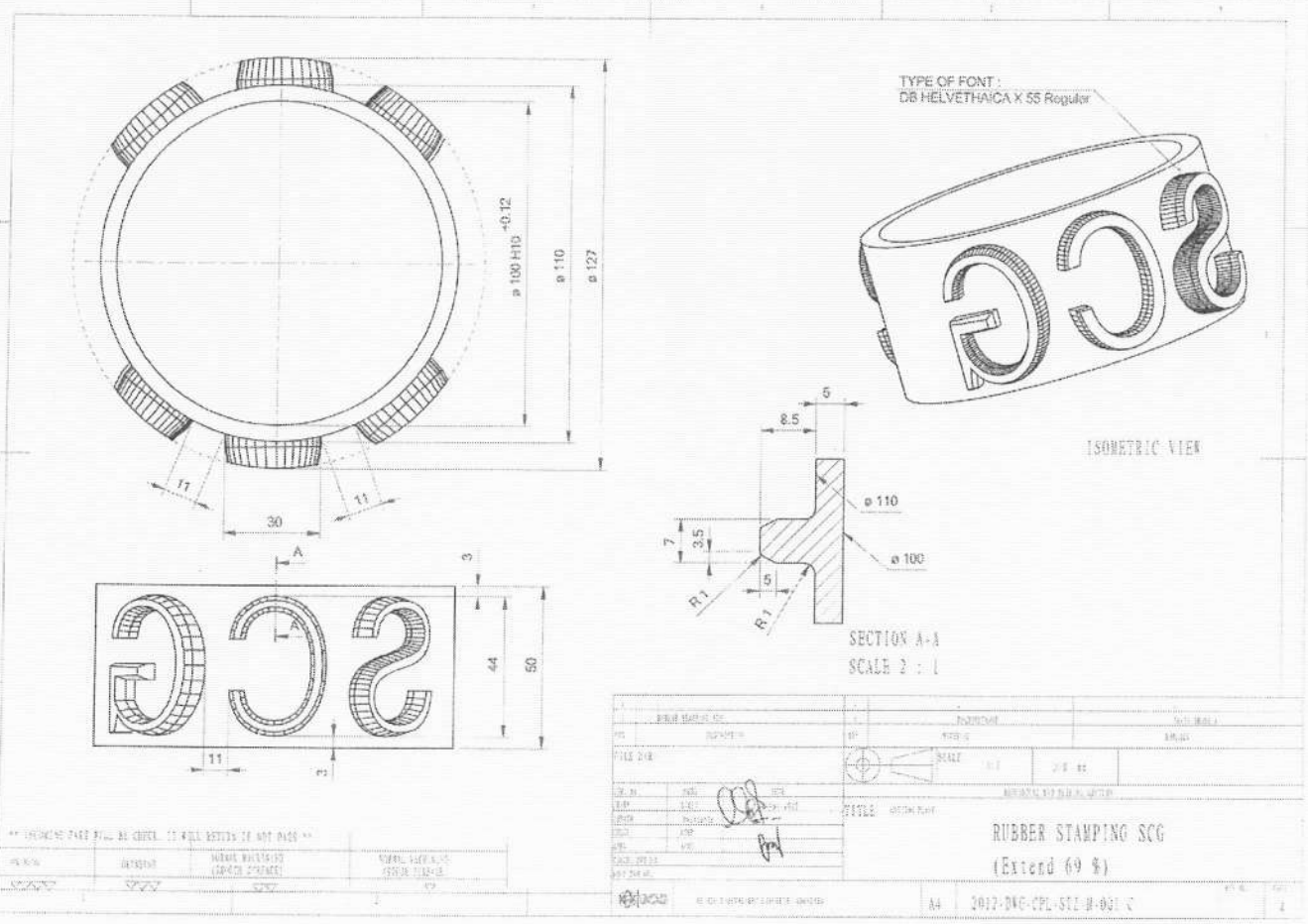
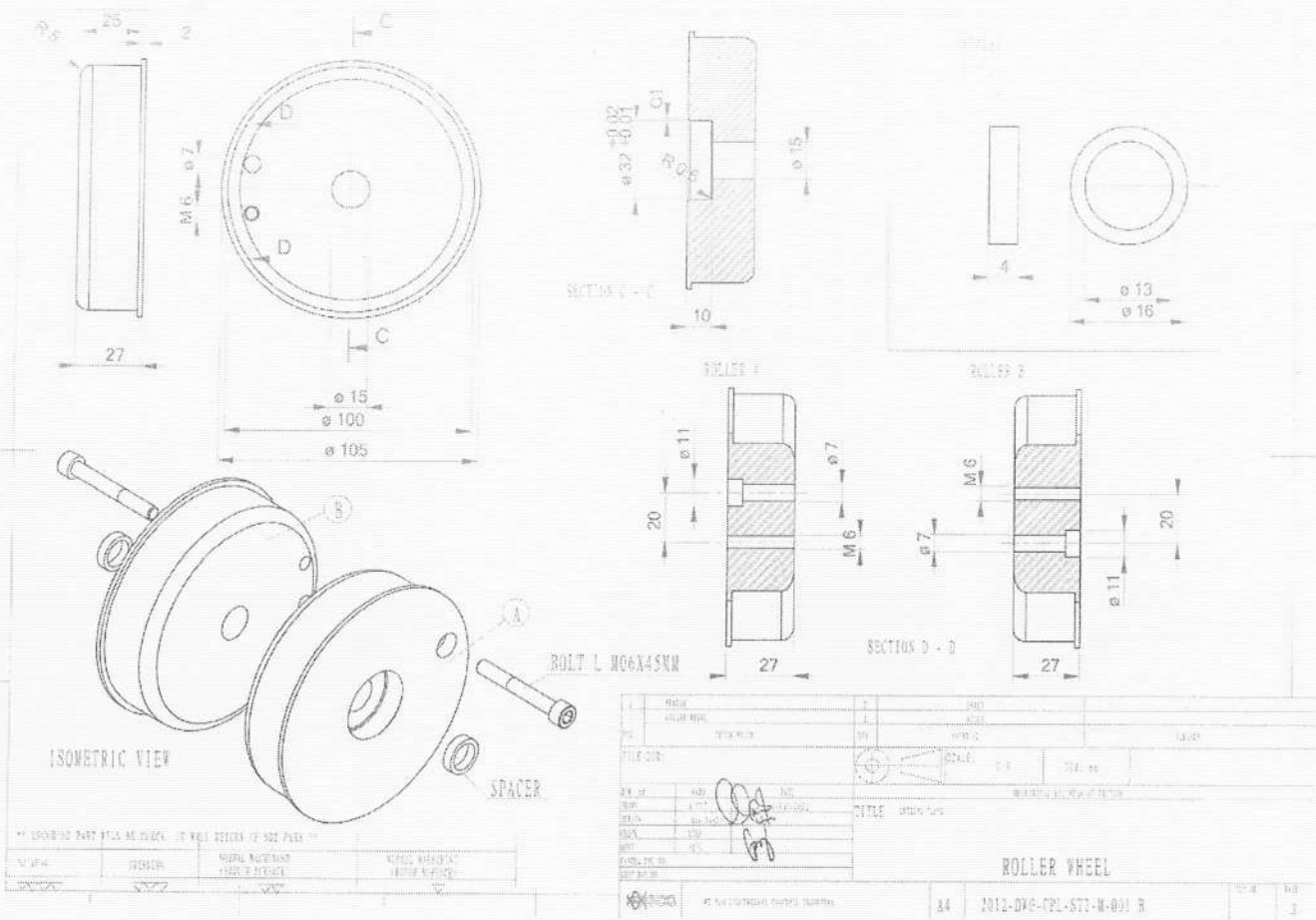
**Dibuat Oleh,**  
90587(Taufik Hidayat)  
2022-07-19 08:55:24

**Checked by,**  
90156(Mochamad Nugrahaputra)  
**Approved** at 2022-07-19  
09:14:03

**Budget Control,**  
90696(Mukhtar L)  
**Approved** at 2022-07-21  
13:59:08

**Approved by,**  
90005(Vorapong Panavasu)  
**Approved** at 2022-07-22  
08:19:48







# CV. ADWITIYA ENGINEERING

MACHINING & FABRICATION  
Office / Workshop  
Jl. Raya Setu No. 162 Desa Cibuntu  
Kl. 001 / Rv. 012 Kec. Cibitung Kab. Bekasi  
Hp. 0852 1400 5351  
E-mail : adwitiyaengineering@gmail.com

## QUOTATION

No : 2615/PEN-AE/VIII/22  
Hal : Penawaran Harga  
E-mail : adwitiyaengineering@gmail.com

Cibitung, 23 Agustus 2022

Kepada Yth.  
**PT. SCG Lightweight Concrete Indonesia**  
Jl. Surya Tekno kav. 1-T1-3 Surya Cipta  
Karawang Jawa Barat 41361

Up : Mr. Arfandi Kurniawan  
cc :  
Telp : -

Dengan hormat,


Sesuai dengan permintaan bapak / ibu, kami mengajukan penawaran harga dengan item - item sebagai berikut :

No	Nama Item	Qty	Harga Satuan	Jumlah
1	PEMBUATAN STAMPING ASSY - SWING ARM - ROLLER WHEEL - RUBBER STAMPING SCG	20 Set	Rp <del>2.000.000,00</del> 1.700.000 confirmed by Pak Agus 24/8.	Rp 40.000.000,00
TOTAL				Rp 40.000.000,00

Demikian penawaran dari kami, semoga dapat diterima dengan baik. Atas kerja samanya kami ucapkan terima kasih.

### Keterangan :

1. Penawaran belum termasuk PPN 11%
2. Penawaran berlaku selama 1 bulan
3. Pemesanan barang yang sudah di order tidak dapat dibatalkan
4. Pembayaran :  
Bank BCA No.Rek. : 343-3004481 a/n: CV.ADWITIYA ENGINEERING  
NPWP : 31.612.073.2-413.000

  
CV. ADWITIYA ENGINEERING  
**Agus Setyawan**  
CV. Adwitiya Engineering





## PT. PRO ROLL INTERNATIONAL

Rubber Rollers Mfg – Rubber Recovering – Hard Chrome –  
-Hard Anodize – Polyurethane – Teflon Coating  
Taman Kopo Indah III E 16 no 186 Bandung 40218 Indonesia

Telp. 022-88887510 Fax 022-88887511 Email : sales@proroll.co.id Website:www.proroll.co.id

COMPANY : PT. SCG LIGHTWEIGHT CONCRETE INDONESIA DATE : 19 AGUSTUS 2022  
FAX : 0267-8610360 PAGE : 1  
ATTENTION : Mr. ARFANDI KURNIAWAN OUR REF : PJ-071/VIII/22  
CC :

### QUOTATION - YOUR RFQ 12250

Dear Sir,  
Thank you for the inquiry and we are pleased to submit our offer :

NO	NO MAT'L	DESCRIPTION	QUANTITY	PRICE	
				EACH	TOTAL
1		<b>STAMPING ASSY</b> - DIMENSI : AS PER DWG - MATERIAL : AS PER DWG / EQUIVALENT - DRAWING REF : 2012-DWG-CPL-ST2-M-001 - GUARANTEE : 1 MONTHS	20 SET	Rp 4,000,000  3.800.000  confirmed by	Rp 80,000,000    Pak Yanyung 24/8.

- Delivery Time : 12-16 WEEKS AFTER PO  
: FRC MILL SCG
- TERM OF Payment : Credit Note 30 DAYS after invoice
- VAT (PPN) : Excluded PPN (11%)

Thank you, for your kind attention and cooperation  
sincerely yours,

  
YAYANG HERYANTO  
( 081 822 1581 )