



PT. SCG LIGHTWEIGHT CONCRETE INDONESIA

JL. Surya Tekno KAV I-T1-3 Suryacipta City Of Industry,
Kutamekar, Ciampel Jawa Barat 41361 Indonesia
Phone : 0267-8610361
Fax : 0267-8610360
N.P.W.P : 31.567.302.0-433.000

PURCHASE ORDER

To : PT.SMC AUTOMATION INDONESIA
KAWASAN EJIP INDUSTRIAL PARK
KAB.BEKASI# ,JAWA BEKASI 17750
Indonesia

PO No. : 4021012694
PO Date : 06.09.2022
PO Currency : IDR

Phone : 0218971123
Fax : 0218970617
N.P.W.P : 010713493055000

Please supply the following item

No.	Material Code	Item Description	Qty	Unit	Delivery Date	Unit Price	Total Amount	Discount
10		Seal Kit CA2-100Z-PS for SMC CDA2T100	4	PC	09.09.2022	346,290 / 1	1,385,160	0

Delivery To : PT SLCI
JL. Surya Tekno KAV I-T1-3 Suryacipta City Of Industry,
Karawang 41361 Indonesia

Total Prices 1,385,160
PPN (VAT) 152,368
Grand Total 1,537,528

Term of Payment : Credit 30 days after received bill

Remarks : PR 1021012422

Barang yang tidak sesuai spesifikasi akan kami kembalikan
Wajib mematuhi aturan keselamatan selama berada di PT. SLCI

Prepared By	Checked By	Approved By	Confirmed By (Vendor)



Price Comparison Form

Price Investigation
 Acquisition by Tender

Raw Material
 Supply
 Made to Order

Services
 Other.....

No. PC A2442

No.	Description	Quantity	Last price / Standard Price		PT SMC Automation Indonesia		PT Vitaltech Enomation Indonesia				Last Order	
			As At.....		c/o Mr. Rahmat		c/o Mr. Willy		Supplier:		Date	Remarks
			Price	Supplier Name	Price	Delivery	Price	Delivery	Price	Delivery		
1	Seal Kit CA2-100Z-PS for SMC CDA2T100	4 pcs	Rp1.385.160	PT SMC Automation Indonesia	Rp346.290		Rp455.000					
			Rp1.385.160									

Verbal Price Investigation and Documented
 Price Negotiation
 Price Investigation and Verbal Offering Price
 Documented price investigation and documented Offering Price
 Special Acquisition

Reason : direct to authorized distributor, lowest price Require Approval not to Sign Contract Because Good History Supplier

Urgently
 Acquire From Specific Source
 Acquire From Affiliate
 Urgently

Lowest Price / Former Price
 Quality
 Delivery
 Monopoly

Prepared by : Arfandi K. Date: 09-06-2022	Committee of Opening the Seal Price / Price Investigator Date	Acknowledge by: Section Manager Date	Acknowledge by: Plant Manager Date
---	---	--	--

PURCHASE REQUEST CHECK APPROVAL

ITEM DESCRIPTION

PR Number : 1021012422
Total Price : **IDR 1,388,000**
Attachment : [Click here \(https://iot.slci.co.id/assets/lampiranpr/PR_1021012422.JPG\)](https://iot.slci.co.id/assets/lampiranpr/PR_1021012422.JPG)

Details PR

No.	Item	A	Material	Short Text	Quantity	Unit	Delivery Date	Plant	Matl.Group	PGR	Value
1	10	K		Seal Kit CA2-100Z- PS for SMC CDA2T100	4	PC	07.09.2022	PT SLCI	Supplies	DBA	1,388,000

Purpose:

[10] Sealkit for cylinder lifter Gas Release Machine 1 & 2

GL: 523072

CC: 2011-10000

Dibuat Oleh,
90587(Taufik Hidayat)
2022-08-30 17:26:25

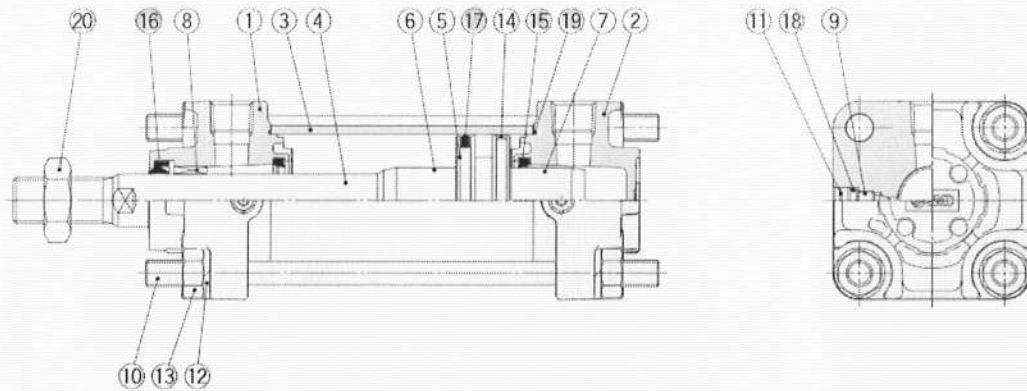
Checked by,
90156(Mochamad
Nugrahaputra)
Approved at 2022-08-31
12:41:19

Budget Control,
90696(Mukhtar L)
Approved at 2022-08-31
13:47:37

Approved by,
90156(Mochamad
Nugrahaputra)
Approved at 2022-09-01
15:27:34

CA2 Series

Construction



Component Parts

No.	Description	Material	Note
1	Rod cover	Aluminum die-casted	Trivalent chromated
2	Head cover	Aluminum die-casted	Trivalent chromated
3	Cylinder tube	Aluminum alloy	Hard anodized
4	Piston rod	Carbon steel	Hard chrome plating
5	Piston	Aluminum alloy	
6	Cushion ring	Aluminum alloy	Anodized
7	Cushion ring B	Aluminum alloy	Anodized
8	Bushing	Bearing alloy	
9	Cushion valve	Steel wire	Trivalent zinc chromated
10	Tie-rod	Carbon steel	Trivalent zinc chromated
11	Retaining ring	Spring steel	Phosphate coating
12	Spring washer	Steel wire	Trivalent zinc chromated
13	Tie-rod nut	Rolled steel	Trivalent zinc chromated
14	Wear ring	Resin	
15	Cushion seal	Urethane	
16	Rod seal	NBR	
17	Piston seal	NBR	
18	Cushion valve seal	NBR	
19	Cylinder tube gasket	NBR	
20	Rod end nut	Rolled steel	Trivalent zinc chromated

Replacement Parts: Seal Kit

Bore size (mm)	Kit no.	Contents
40	CA2-40Z-PS	Set of the nos. (9, 10, 11, 18)
50	CA2-50Z-PS	
63	CA2-63Z-PS	
80	CA2-80Z-PS	
100	CA2-100Z-PS	

- * Seal kit includes (9, 10, 11, 18). Order the seal kit based on each bore size.
- + Do not disassemble the trunnion type. Refer to page 525.
- * Seal kit includes a grease pack (ø40, ø50: 10 g, ø63, ø80: 20 g, ø100: 30 g). Order with the following part number when only the grease pack is needed.
Grease pack part number: GR-S-010 (10 g), GR-S-020 (20 g)



PT. SMC Automation Indonesia

Kawasan EJIP Industrial Park Plot 6J-1
Sukaesmi Cikarang Selatan Kab. Bekasi
Jawa Barat 17857
Telp. 021 – 897 1123 Fax. 021 – 897 0517
(NPWP: 01.071.349.3-055.000)

QUOTATION: 0393309

CUSTOMER NAME & ADDRESS:

PT.SCG LIGHTWEIGHT CONCRETE
INDONESIA
JL.SURYA TEKNO KAV I-T1-3
SURYACIPTA CITY OF INDUSTRY
KUTAMEKAR GIAMPEL
KARAWANG JAWA BARAT
TEL : 02678610362 FAX :

Date : 30.08.22
Page No : 1

Payment Terms : 030 Days after invoice date
Validity : 30 Days

2022-08-30

ATTENTION OF:	Customer No: KRWS052 000 C2	Sales Engineer: Rahmat Hidayat
---------------	-----------------------------	-----------------------------------

ITEM	MODEL NUMBER	DESCRIPTION	UOM	QTY	STK STATUS	UNIT PRICE	NETT AMT
1	CA2-100Z-PS	PACKING SET	EA	4	Ex-Stock	346,290.00	1,385,160.00

Ex Stock is subject to prior sales.

Kindly indicate our Quotation Ref. No. in your P.O.

Prepared By: IDRAHMAT

Total Before VAT	(IDR)	1,385,160.00
Add VAT	@11%	152,368.00
Total Amount		1,537,528.00

This document is computer generated document, no signature is required



PT. Vitaltech Enomation Indonesia

NPWP 82.512.113.0-436.000
 Jl. Sriwijaya Ruko Magnetica Square Magnetica Square Blok B12
 Lippo Cikarang Bekasi 17550, Indonesia.
 Telp. (62-21) 8992 6082 Fax . (62-21) 2922 2810

QUOTATION

PT. SCG Lightweight Concrete Indonesia

J89F+G9X, Kutamekar, Kec. Ciampel, Kabupaten Karawang,
 Jawa Barat 41363

Phone : (0267) 8610364

Fax :

Attn :

CC :

No. : Q00081828
Ref. :
Payment Term : 30 Days
Date : 01/September/2022
Quote By : Willy Resaputra
Phone : +62-813 8443 3063

#	Description	Delivery Term	QTY	UOM	U.PRICE	DIS	AMOUNT
1	SMC CA2-100Z-PS Seal kit	5-7 Days	4	Pcs	455,000.00		1,820,000.00

Validity : 7 days

Note : Currency exchange rate to adjust the price of the day

Remark :

SUB TOTAL : RP 1,820,000.00
GLOBAL DIS : RP 0.00
NET AMOUNT : RP 1,820,000.00
PPN 11.00% : RP 200,200.00
NET TOTAL : RP 2,020,200.00

We hope that our quotation is favourable to you and looking forward to receive your valued orders in due course.

Thank and regard.

Yours faithfully,

Willy Resaputra

 Authorised Signature

Confirmation Order Acknowledged by,

 Name:
 Designation:
 Date: