

**SCG****PT. SCG LIGHTWEIGHT CONCRETE INDONESIA**

JL. Surya Tekno KAV I-T1-3 Suryacipta City Of Industry,

Kutamekar, Ciampel Jawa Barat 41361 Indonesia

Phone : 0267-8610361

Fax : 0267-8610360

N.P.W.P : 31.567.302.0-433.000

PURCHASE ORDER

To : PT. MUSAYA KREASI INDONESIA
 Jl Pesantrean Al ITishom RT.014 RW.006
 Karawang
 Indonesia

PO No. : 4021012723
 PO Date : 13.09.2022
 PO Currency : IDR

Phone : 081295704514
 Fax :
 N.P.W.P : 841040744408000

Please supply the following item


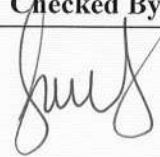
No.	Material Code	Item Description	Qty	Unit	Delivery Date	Unit Price	Total Amount	Discount
10		Cover Bearing MST 6/4 (see dwg)	2	PC	30.09.2022	700,000 / 1	1,400,000	0
20		Flange Bearing MST 6/4 (see dwg)	2	PC	30.09.2022	670,000 / 1	1,340,000	0
30		Cover Bearing MST 4/3 (see dwg)	2	PC	30.09.2022	325,000 / 1	650,000	0
40		Flange Bearing MST 4/3 (see dwg)	2	PC	30.09.2022	545,000 / 1	1,090,000	0

Delivery To : PT SLCI
 JL. Surya Tekno KAV I-T1-3 Suryacipta City Of Industry,
 Karawang 41361 Indonesia

Total Prices 4,480,000
 PPN (VAT) 492,800
 Grand Total 4,972,800

Term of Payment : Credit 30 days after received bill

Remarks : PR 1021012318; [10] 2012-DWG-MPL-MS64-M-001-5
 [20] 2012-DWG-MPL-MS64-M-001-4
 [30] 2012-DWG-MPL-MS43-M-001-5
 [40] 2012-DWG-MPL-MS43-M-001-4

Prepared By	Checked By	Approved By	Confirmed By (Vendor)
 Arfandi			



Price Comparison Form

Price Investigation
Acquisition by Tender

Raw Material
 Supply
 Made to Order

Services
 Other.....

No. PC A2453

No.	Description	Quantity	Last price / Standard Price		PT Musaya Kreasi Indonesia		PT Cipta Presisi Mandiri		PT SAN Jaya Teknik		Last Order		
			As At.....		c/o Mr. Supriyadi		c/o Mr. Farizal		c/o Mr. Nandang		Supplier:		
			Price	Supplier Name	Price	Delivery	Price	Delivery	Price	Delivery	Price	Date	Remarks
1	Cover Bearing MST 6/4 (see dwg)	2 pcs	Rp1.400.000	PT Musaya Kreasi Indonesia	Rp700.000		Rp823.500		Rp700.000		Rp832.500	8/12/2021	Cipta Presisi Mandiri
2	Flange Bearing MST 6/4 (see dwg)	2 pcs	Rp1.340.000		Rp670.000		Rp686.875		Rp800.000		Rp686.875	8/12/2021	Cipta Presisi Mandiri
3	Cover Bearing MST 4/3 (see dwg)	2 pcs	Rp650.000		Rp325.000		Rp365.750		Rp390.000		Rp255.000	1/4/2021	SAN Jaya Teknik
4	Flange Bearing MST 4/3 (see dwg)	2 pcs	Rp1.090.000		Rp545.000		Rp590.000		Rp675.000		Rp290.000	1/4/2021	SAN Jaya Teknik
	[10] 2012-DWG-MPL-MS64-M-001-5												
	[20] 2012-DWG-MPL-MS64-M-001-4												
	[30] 2012-DWG-MPL-MS43-M-001-5												
	[40] 2012-DWG-MPL-MS43-M-001-4												
			Rp4.480.000										

Verbal Price Investigation and Documented
 Price Negotiation
 Price Investigation and Verbal Offering Price
 Documented price investigation and documented Offering Price
 Special Acquisition

Reason : lowest price

Require Approval not to Sign Contract Because Good History Supplier

Urgently
 Acquire From Specific Source
 Acquire From Affiliate
 Urgently

Lowest Price / Former Price
 Quality
 Delivery
 Monopoly

Prepared by : Arfandi K Date: 09-08-2022	Committee of Opening the Seal Price / Price Investigator Date	Acknowledge by: Section Manager Date	Acknowledge by: Plant Manager Date
--	---	--	--

PURCHASE REQUEST CHECK APPROVAL

ITEM DESCRIPTION

PR Number : 1021012318
Total Price : IDR 4,790,000
Attachment : [Click here \(https://iot.slci.co.id/assets/lampiranpr/PR_1021012318.pdf\)](https://iot.slci.co.id/assets/lampiranpr/PR_1021012318.pdf)

Details PR

No.	Item	A	Material	Short Text	Quantity	Unit	Delivery Date	Plant	Matl.Group	PGR	Value
1	10	K		Cover Bearing MST 6/4 (see dwg)	2	PC	20.09.2022	PT SLCI	Supplies	DBA	1,920,000
2	20	K		Flange Bearing MST 6/4 (see dwg)	2	PC	20.09.2022	PT SLCI	Supplies	DBA	1,580,000
3	30	K		Cover Bearing MST 4/3 (see dwg)	2	PC	20.09.2022	PT SLCI	Supplies	DBA	590,000
4	40	K		Flange Bearing MST 4/3 (see dwg)	2	PC	20.09.2022	PT SLCI	Supplies	DBA	700,000

Purpose:

[10] Purpose : Ready to use pump type : MST | Details : 2012-DWG-MPL-MS64-M-001-5
[20] 2012-DWG-MPL-MS64-M-001-4
[30] 2012-DWG-MPL-MS43-M-001-5
[40] 2012-DWG-MPL-MS43-M-001-4

GL: 523072
CC: 2011-10000

Dibuat Oleh,
90587(Taufik Hidayat)
2022-08-05 13:14:02

Checked by,
90156(Mochamad Nugrahaputra)
Approved at 2022-08-08 13:19:45

Budget Control,
90696(Mukhtar L)
Approved at 2022-08-11 10:14:06

Approved by,
90156(Mochamad Nugrahaputra)
Approved at 2022-08-12 08:21:38



PT. MUSAYA KREASI INDONESIA

ENGINEERING, MACHINERY & FABRICATION SERVICES

JL. PESANTREN AL I'TISHOM RT.14 RW.06 DUSUN KADONGDONG
DESA KONDANG JAYA KARAWANG TIMUR - KARAWANG - JAWA BARAT
TELP. 0812 9570 4514 - 0857 8127 6604

PENAWARAN HARGA

To : PT. SCG Lightweight Concrete Indonesia
Surya Cipta City Of Industry, Karawang, Indonesia

No : 083/MKI-PH/VIII/2022
RFQ : Drawing
Subject : Part Machining
Hal : Penawaran Harga

Up. Mr. Arfandi Kurniawan

Dengan hormat,

Bersama ini kami sampaikan penawaran harga dengan rincian sebagai berikut :

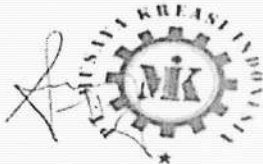
No.	Descriptions	Qty Unit	Unit Price (IDR)	Amount (IDR)
1	Cover Bearing MST 6/4	2 Pcs	Rp 1.120.000	Rp 900.000 2.240.000
2	Flange Bearing MST 6/4	2 Pcs	Rp 975.000	Rp 670.000 1.950.000
3	Cover Bearing MST 4/3	2 Pcs	Rp 675.000	Rp 325.000 1.350.000
4	Flange Bearing MST 4/3	2 Pcs	Rp 625.000	Rp 545.000 1.250.000
TOTAL				Rp 6.790.000

Note

- Penawaran di atas belum termasuk PPN 11 %.
- Apabila ada penambahan pekerjaan di luar scope job di atas maka di hitung sebagai additional job.
- Pembayaran 30 hari setelah invoice di kirimkan.

Demikian penawaran harga ini kami sampaikan, atas kepercayaan dan kerjasamanya kami ucapkan terima kasih

Karawang, 16 Agustus 2022



SUPRIYADI

*confirmed by
Pak Supriyadi 30/8.*



PT. CIPTA PRESISI MANDIRI

PART SPECIALIST, DIES, GEAR, GENERAL CONTRACTOR & ENGINEERING SERVICE

Komplek Pergudangan Kamal Indah
BLOK E no.8 Kamal - Kalideres, Jakarta Barat
Telp. : (021) 2255 7468, 5595 9153 Fax. (021) 5595 9153
Mobile : 0812 1978 1011
E-mail : cpmindonesia@yahoo.co.id

Jakarta 23 Agustus 2022

Nomor : 335/CPM/VIII/22/SLCI/027

Hal : Penawaran Harga

Kepada :

PT. SCG Lightweight Concrete Indonesia

Jl.Surya Tekno Kav. I-T1-3 Surya Cipta

Karawang, Jawa Barat 41361

Up. Bp. Yoki Radiansyah

Telp. (0267) 8610362

Dengan hormat,

Bersama ini kami sampaikan penawaran harga untuk pembuatan part standard sesuai dengan gambar yang kami terima, adalah sebagai berikut:

No.	Part Name	Dwg No	Mtrl	Qty	Harga	Jumlah
1	Cover Bearing MST 6/4 Dia 134 x 47.5	2012-DWG-MPL-MS64-M-001-5	S45C	2 Pcs	925,000	Rp 1,850,000
2	Flange Bearing MST 6/4 Dia 191 x 32	2012-DWG-MPL-MS64-M-001-4	SS400	2 Pcs	785,000	Rp 1,570,000
3	Cover Bearing MST 4/3 Dia 104 x 39	2012-DWG-MPL-MS64-M-001-5	SS400	2 Pcs	385,000	Rp 770,000
4	Flange Bearing MST 4/3 Dia 157 x 27.3	2012-DWG-MPL-MS64-M-001-4	SS400	2 Pcs	685,000	Rp 1,370,000
TOTAL						Rp 5,560,000

823,500
686.875
365.750
590.000

* Harga diatas belum termasuk PPN 11 %

Keterangan:

- Delivery : ± 6 - 8 Minggu setelah PO diterima
- Pembayaran : 2 Minggu setelah barang diterima
- Penawaran ini berlaku selama 1 minggu

Demikian surat penawaran ini kami buat. Atas perhatian dan kerjasamanya kami ucapkan terima kasih.

Hormat kami,



confirmed 30/8
by Farizal.



PT. S.A.N. JAYA TEKNIK
 SURYA CIPTA CITY OF INDUSTRY
 CONCRETE CONTRACTOR
 CONCRETE TRADE

SPH
SURAT PENAWARAN HARGA

No SPH : 023/SPH/SJT/VIII/2022
 Tanggal : 18 Agustus 2022

A. Biodata Workshop
PT. S.A.N. Jaya Teknik
 Jl. Sadang No. 164 Margahayu Bandung 40225
 Telp : (022) 5404965, 5417604
 Fax : (022) 5414583
 Email : nandang_sanjaya184@yahoo.com
 Website : www.sanjayateknik.com
 Mobile : 0813 210909 08
 0878 210909 19

B. Biodata Customer
 Kepada Yth
 Nama Perusahaan : **PT. SCG Lightweight Concrete Ind.**
 Alamat : Surya Cipta City of Industry
 Karawang - Indonesia
 Telp. : (0267) 8610 362, 8610 363
 Fax : (0267) 8610 360
 Email : arfandikurn@scg.com
 Person : **Bpk. Arfandi**

Dengan Hormat,
 Berikut ini kami sampaikan penawaran harga untuk barang berikut dibawah ini :

C. Biodata Pekerjaan

Jenis Pekerjaan : Manufaktur Fabrikasi Repair Modifikasi
 Sub Bidang : Part/Komponen Sub Assy Complete Assy

No.	Nama Barang	Qty	Sat	Harga Satuan (Rp)	Jumlah Harga (Rp)
1.	COVER BEARING MST 6/4	2	Pcs	700.000 775.000	1.550.000
2.	FLANGE BEARING MST 6/4	2	Pcs	800.000 1.260.000	2.520.000
3.	COVER BEARING MST 4/3	2	Pcs	350.000 590.000	1.180.000
4.	FLANGE BEARING MST 4/3	2	Pcs	675.000 1.130.000	2.260.000
Jumlah					7.510.000
Terbilang : Delapan Juta Tiga Ratus Tiga Puluh Enam Ribu Seratus Rupiah					PPN 11%
					826.100
Total					8.336.100

Confirmed by
 Bu Gittha 30/8

Spesifikasi/Dimensi/Keterangan

- Ruang Lingkup kerja Umum (RLKU)**
- Inspeksi Awal,
 - Diskusi Teknik,
 - Pengadaan material,
 - Proses Produksi
- Ruang Lingkup Kerja Produksi (RLKP)**
- Cutting
 - Drilling
 - Turning
 - Frais Milling
 - Polishing

D. Sketsa / Catatan

1. TOLERANSI DIMENSI DAN GEOMETRIS SESUAI DENGAN STANDARD ISO
2. PT. Sanjaya Tekhnik akan mengajukan addendum harga apabila ada pekerjaan diluar ruang lingkup pekerjaan diatas

Demikian surat penawaran harga ini kami sampaikan, dan kami tunggu kabar baik selanjutnya. Atas perhatian, kepercayaan dan kerjasamanya yang baik selama ini, kami ucapkan terima kasih.

E. Ketentuan

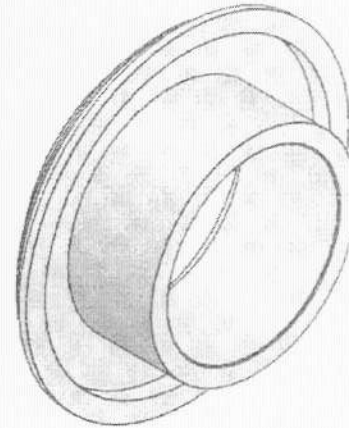
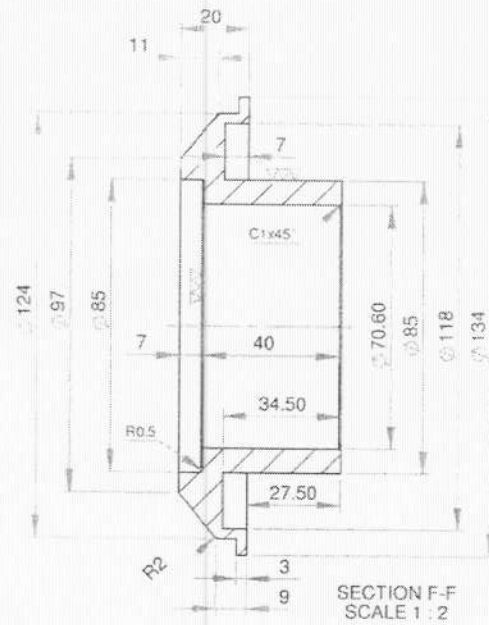
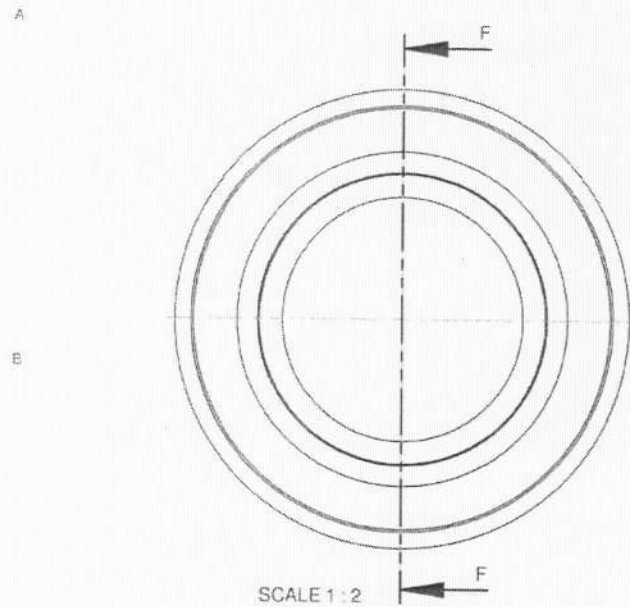
Proses Kerja :
 Pembayaran :
 Down Payment (DP): 50%
 Validasi Penawaran : 1 Minggu
 Keterangan : Pekerjaan setelah DP, PO/SPK diterima

Dibuat Oleh,

 (Gittha Yuliana)

Diketahui Oleh,

 (Nandang Sophian)



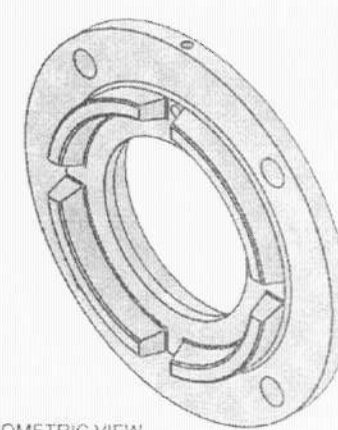
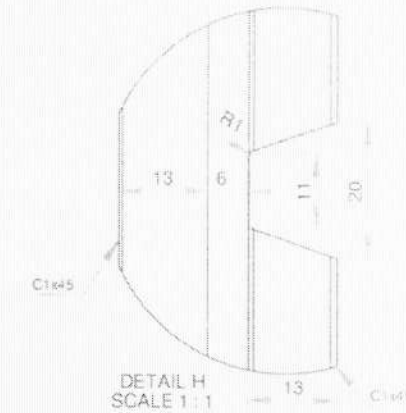
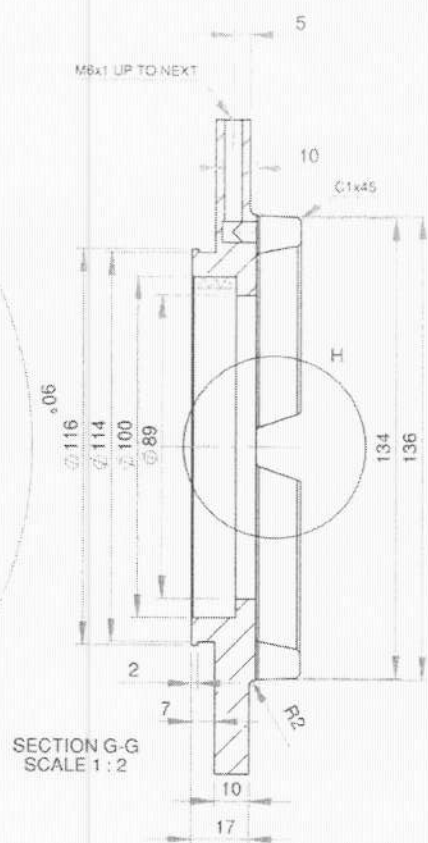
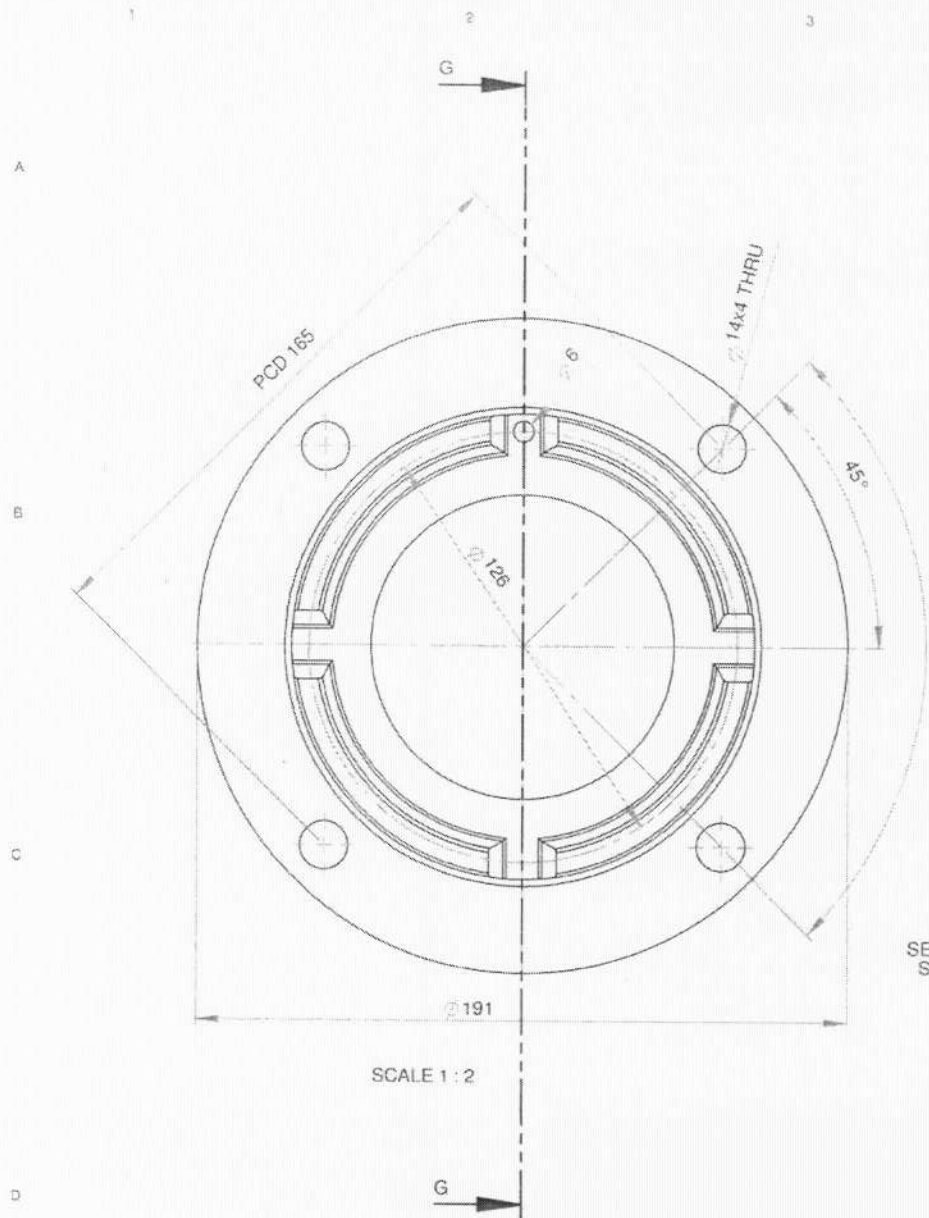
ISOMETRIC VIEW
SCALE 1:2

#OIL SEAL MHSA 85-70-7

** INCOMING PART WILL BE CHECK. IT WILL RETURN IF NOT PASS **

POLISHING GRINDING NORMAL MACHINING (SMOOTH SURFACE) NORMAL MACHINING (ROUGH SURFACE)

1	COVER BEARING	1	S45C	
POS	DESCRIPTION	QTY	MATERIAL	REMARKS
FILE DIR: \\192.168.4.15\mechanical\Draft Nuryana\Proyek Pak Yessiko\Pump MST 6-4				
DIM: mm	NAME	DATE	SCALE: 1:10	ASSY NO.
DRAWN	ENDEN	12/5/2013	MECHANICAL ENGINEERING SECTION	
DESIGN	SIGIT		TITLE SLURRY PUMP MST 6-4	
CHECK	YESSIKO		COVER BEARING	
APRV	RULLY			
CANCEL DWG NO				
REF DWG NO.				



* OIL SEAL MHTA 85-100-13

SCALE 1 : 2

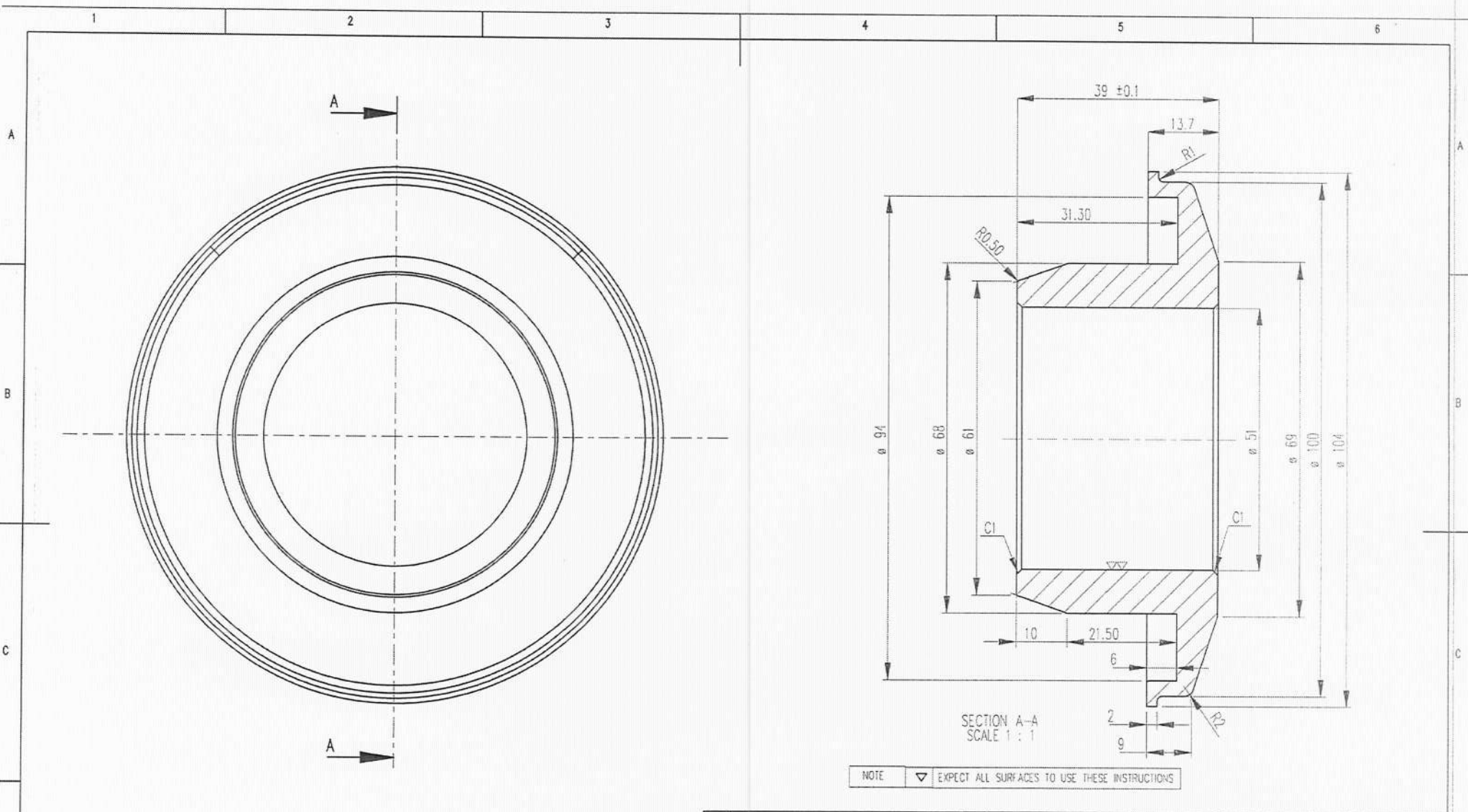
SECTION G-G
SCALE 1 : 2

ISOMETRIC VIEW
SCALE 1 : 3

** INCOMING PART WILL BE CHECK. IT WILL RETURN IF NOT PASS **

POLISHING GRINDING NORMAL MACHINING (SMOOTH SURFACE) NORMAL MACHINING (ROUGH SURFACE)

1	FLANGE BEARING	2	SS400	REMARKS
POS	DESCRIPTION	QTY	MATERIAL	
FILE DIR: \\192.168.4.19\mechanical\Draft Nuryana\Proyek Pak Yessiko\Pump MST 6-4				
DIM: mm	NAME	DATE	SCALE: 1:10	DIM: mm ASSY NO:
DRAWN	ENDEN	12/5/2012	MECHANICAL ENGINEERING SECTION	
DESIGN	SIGIT		TITLE: SLURRY PUMP MST 6-4	
CHECK	YESSIKO		FLANGE BEARING	
APRV	RULLY		REV NO: PAGE	
CANCEL DWG NO			1 5	
REF DWG NO.				

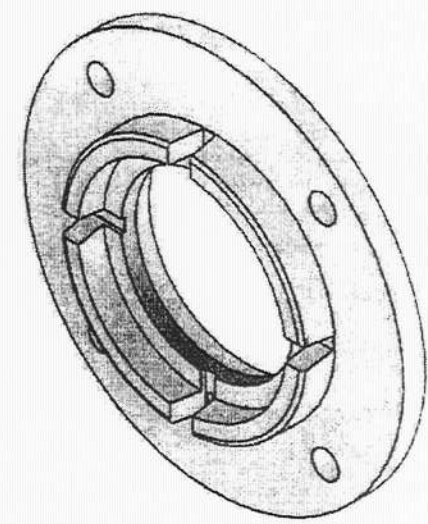
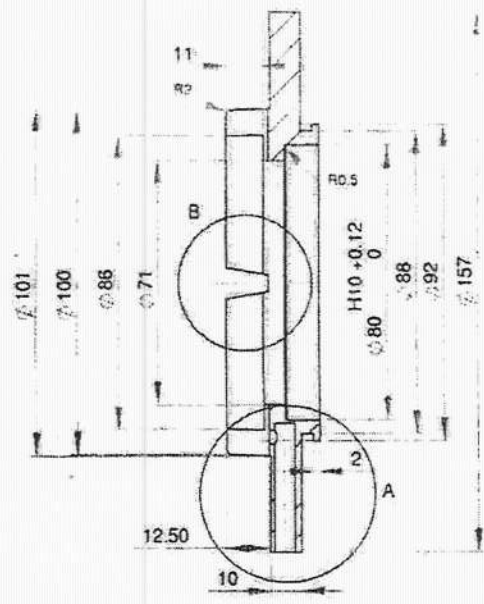
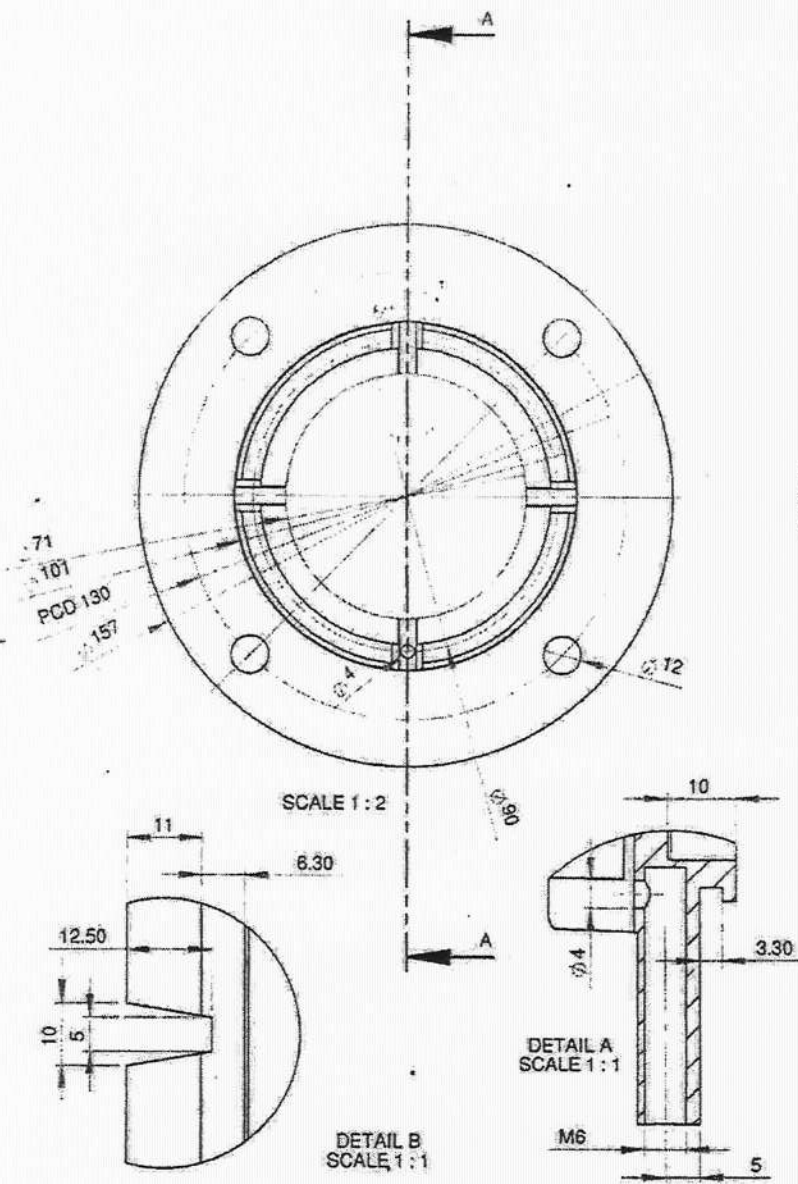


NOTE ▽ EXPECT ALL SURFACES TO USE THESE INSTRUCTIONS

** INCOMING PART WILL BE CHECK. IT WILL RETURN IF NOT PASS **

POLISHING ▽▽▽▽	GRINDING ▽▽▽	NORMAL MACHINING (SMOOTH SURFACE) ▽▽	NORMAL MACHINING (ROUGH SURFACE) ▽
-------------------	-----------------	---	---------------------------------------

1	COVER BEARING	1	SS400	
POS	DESCRIPTION	QTY	MATERIAL	REMARKS
FILE DIR: Z:\Draft Nuryana\Proyek Pak Yessiko\Pump MST\4-3\			SCALE: 1:1	DIM: mm ASSY NO.
DIM: mm	NAME	DATE	SIGN	MECHANICAL ENGINEERING SECTION
DRAWN	ENDEN	19/JAN/21		TITLE SLURRY PUMP MST 4/3
DESIGN	EXISTING			COVER BEARING
CHECK	TAUFIK	17/Jan/21		
APRV	MUNGRAHA			
(*) = GENERAL TOLERANSI ±2% x DIMENSION				
REF DWG NO.				



ISOMETRIC VIEW
SCALE 1 : 2

#OIL SEAL MHS-A 68-80-10

** INCOMING PART WILL BE CHECK. IT WILL RETURN IF NOT PASS **

POLISHING	GRINDING	NORMAL MACHINING (SMOOTH SURFACE)	NORMAL MACHINING (ROUGH SURFACE)
▽▽▽	▽▽	▽	▽

1	FLANGE BEARING	1	SS400	
POS	DESCRIPTION	QTY	MATERIAL	REMARKS
FILE DIR: \\192.168.4.15\mechanical\Draw\Nuryana\Proyek Pak Yessiko\Pump MST4-3\		SCALE: 1:20		ASSY NO.
MECHANICAL ENGINEERING SECTION				
DIM: mm	NAME	DATE	TITLE	
DRAWN	ENDEN	12/3/2017	SLURRY PUMP MST 4/3	
DESIGN	SIGIT		<h2 style="text-align: center;">FLANGE BEARING</h2>	
CHECK	YESSIKO			
APRV	RULLY			
CANCEL DWG NO.				
REF DWG NO.				
PT SCG LIGHTWEIGHT CONCRETE INDONESIA		A4	2012-DWG-MPL-MS43-M-001-4	REV NO: PAGE
				5