

**SCG****PT. SCG LIGHTWEIGHT CONCRETE INDONESIA**JL. Surya Tekno KAV I-T1-3 Suryacipta City Of Industry,  
Kutamekar, Ciampel Jawa Barat 41361 Indonesia

Phone : 0267-8610361

Fax : 0267-8610360

N.P.W.P : 31.567.302.0-433.000

**PURCHASE ORDER**To : PT. CIPTA PRESISI MANDIRI  
JL.KAMAL RAYA NO.8A RT.009 RW.01  
DKI JAKARTA RAYA  
Indonesia

PO No. : 4021012732

PO Date : 15.09.2022

PO Currency : IDR

Phone : 02155959153  
Fax : 02155959153  
N.P.W.P : 031717283085000

Please supply the following item

No.	Material Code	Item Description	Qty	Unit	Delivery Date	Unit Price	Total Amount	Discount
10		Repair Wheel Trolley (add bushing)	4	PC	15.10.2022	3,500,000 / 1	14,000,000	0

Delivery To : PT SLCI  
JL. Surya Tekno KAV I-T1-3 Suryacipta City Of Industry,  
Karawang 41361 Indonesia

Total Prices 14,000,000


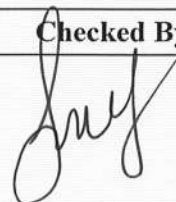
PPN (VAT) 1,540,000

Grand Total 15,540,000

Term of Payment : Credit 30 days after received bill

Remarks : PR 1021012338

Barang yang tidak sesuai spesifikasi akan kami kembalikan  
Wajib mematuhi aturan keselamatan selama berada di PT. SLCI  
2012-DWG-CP-M-000324-513-B

Prepared By	Checked By	Approved By	Confirmed By (Vendor)
 Afandi			



**Price Comparison Form**

Price Investigation  
 Acquisition by Tender

Raw Material  
 Supply  
 Made to Order

Services  
 Other.....

No. PC A2463




No.	Description	Quantity	Last price / Standard Price		PT Cipta Presisi Mandiri		PT Bintang Angkasa Anuge		PT Musaya Kreasi Indonesia		Last Order	
			As At.....		c/o Mr. Farizal		c/o Mr. Benny		c/o Mr. Supriyadi		Supplier:	
			Price	Supplier Name	Price	Delivery	Price	Delivery	Price	Delivery	Price	Date
1	Repair Wheel Trolley (add bushing) 2012-DWG-CP-M-000324-513-B	4 pcs	Rp14.000.000	PT Cipta Presisi Mandiri	Rp3.500.000		Rp2.150.000		Rp4.750.000			
			Rp14.000.000									

- Verbal Price Investigation and Documented Price Negotiation
- Price investigation and Verbal Offering Price
- Documented price investigation and documented Offering Price
- Special Acquisition
- Urgently
- Acquire From Specific Source
- Acquire From Affiliate
- Urgently

- Lowest Price / Former Price
- Quality
- Delivery
- Monopoly

Reason : better quality

Require Approval not to Sign Contract Because Good History Supplier

Prepared by :  Arfandi K. Date: 09-15-2022	Committee of Opening the Seal Price / Price Investigator Date .....	Acknowledge by: Section Manager  Date .....	Acknowledge by: Plant Manager  Date .....
--	---	---	---

## PURCHASE REQUEST CHECK APPROVAL

### ITEM DESCRIPTION

**PR Number** : 1021012338  
**Total Price** : IDR 8,800,000  
**Attachment** : [Click here \(https://iot.slci.co.id/assets/lampiranpr/PR\\_1021012338.pdf\)](https://iot.slci.co.id/assets/lampiranpr/PR_1021012338.pdf)

### Details PR

No.	Item	A	Material	Short Text	Quantity	Unit	Delivery Date	Plant	Matl.Group	PGR	Value
1	10	K		Bushing Wheel Trolley	4	PC	29.08.2022	PT SLCI	Supplies	DBA	8,800,000

#### Purpose:

[10] Repair wheel trolley with bushing for trolley #1 - WKB Cutting Details : 2012-DWG-CP-M-000324-513-B

GL: 523072

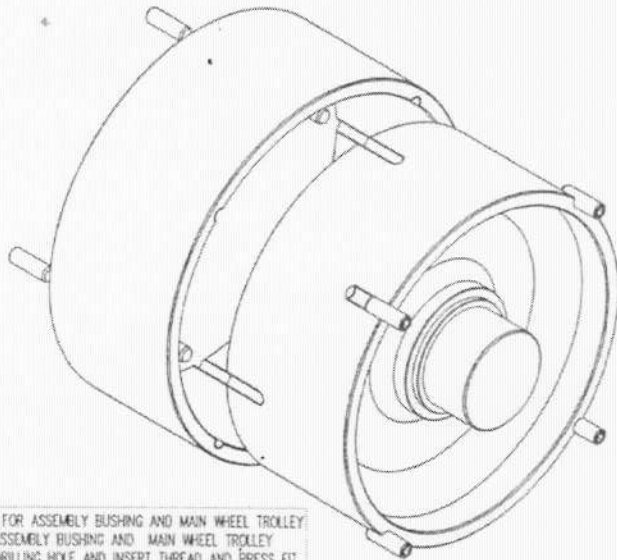
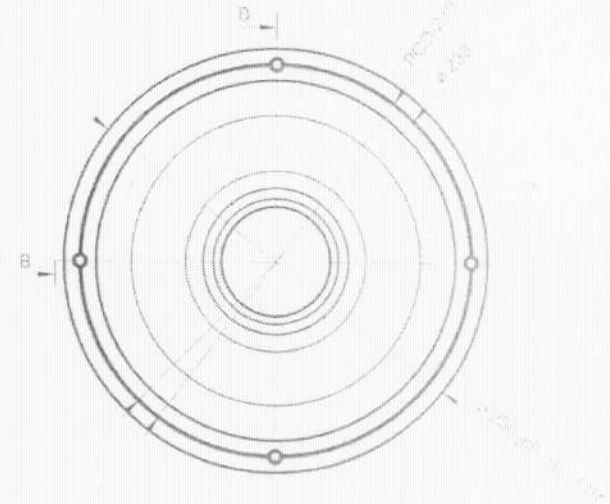
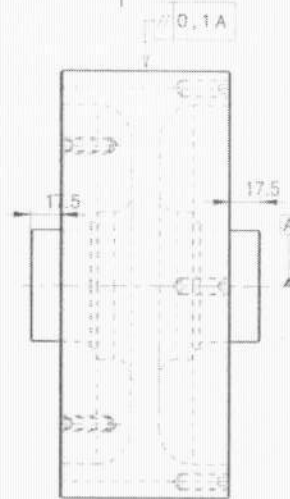
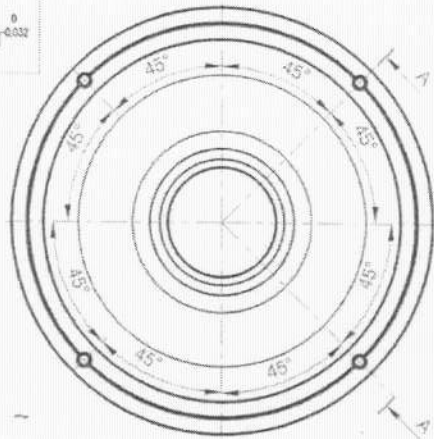
CC: 2011-10000

<b>Dibuat Oleh,</b> 90587(Taufik Hidayat) 2022-08-15 13:06:52	<b>Checked by,</b> 90156(Mochamad Nugrahaputra) <b>Approved</b> at 2022-08-16 12:51:38	<b>Budget Control,</b> 90696(Mukhtar L) <b>Approved</b> at 2022-08-16 16:23:51	<b>Approved by,</b> 90005(Vorapong Panavasus) <b>Approved</b> at 2022-08-16 21:44:22
---	--	--	--

TOLERANCE PRESS FIT

$\varnothing 210 P7 = \varnothing 210^{+0.033}_{-0.019}$

$\varnothing 210 h6 = \varnothing 210^{0}_{-0.032}$



SECTION A-A

M10 (4PC)

PCD  
230 ± 0.02

35  
30

0.1A  
0.1A

0.1A  
0.1A

SECTION B-B

35  
30

0.1A  
0.1A

SECTION B-B

3	M10x30	B	HTBN 8.8	LONG ERD THREAD AND MAKE PRESS FIT
2	BUSHING	1	S-45C (HARDENING) 30-35 HRC	SEE 2012-DWG-CP-M-000324-513-02
1	WHEEL TROLLEY (EXISTING) FROM SLD	1	FCO-400 (EXISTING) SPECIAL CASE	SEE 2012-DWG-CP-M-000324-013-01
POS	DESCRIPTION	QTY	MATERIAL	REMARKS

FILE DIR:   
 SCALE: 1:4   
 DIM: mm   
 ASSY NO

DWG NO	NAME	DATE	SIGN	MECHANICAL ENGINEERING SETTING
DRAWN	ENDEN	28/OCT/20		TITLE CUTTING PLAN - TROLLEY REPAIR WHEEL TROLLEY
DESIGN	URIP	28/OCT/20		
CHECK	YESSIKO			
APRV	MUNDIRAH			
(*) = GENERAL TOLERANS ± 0.2% ± DIMENSION				

- NOTE:
1. USED PRESS FIT TOLERANCE FOR ASSEMBLY BUSHING AND MAIN WHEEL TROLLEY
  2. USE HYDRAULIC PRESS TO ASSEMBLY BUSHING AND MAIN WHEEL TROLLEY
  3. PLEASE ASSEMBLY BEFORE DRILLING HOLE AND INSERT THREAD AND PRESS FIT
  4. AFTER THAT PLEASE HEAT TREATMENT BUSHING PART (HARDNESS 30-35 HRC)

\*\* INCOMING PART WILL BE CHECK, IT WILL RETURN IF NOT PASS \*\*

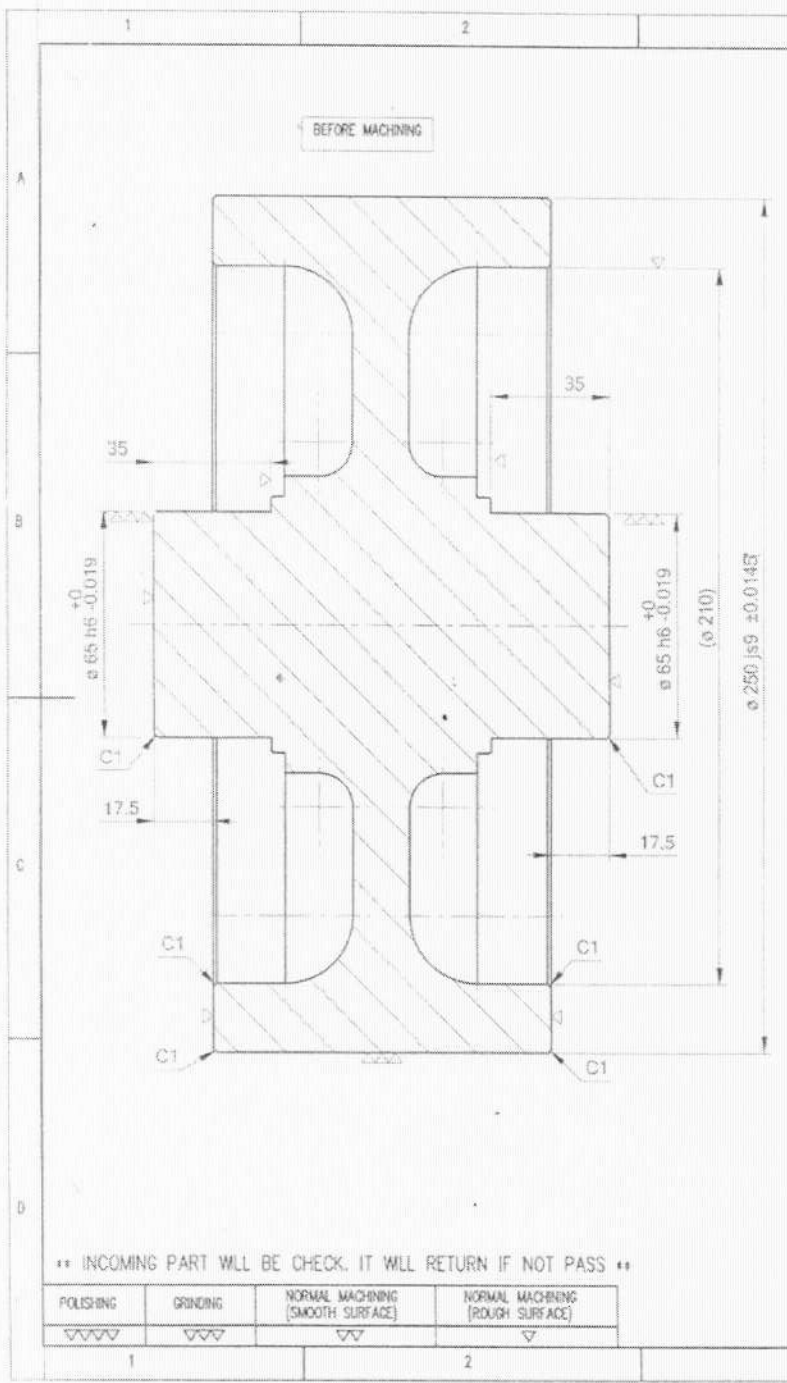
POLISHING	GRINDING	NORMAL MACHINING (SMOOTH SURFACE)	NORMAL MACHINING (ROUGH SURFACE)
▽▽▽	▽▽	▽	▽

TOLERANCE PRESS FIT

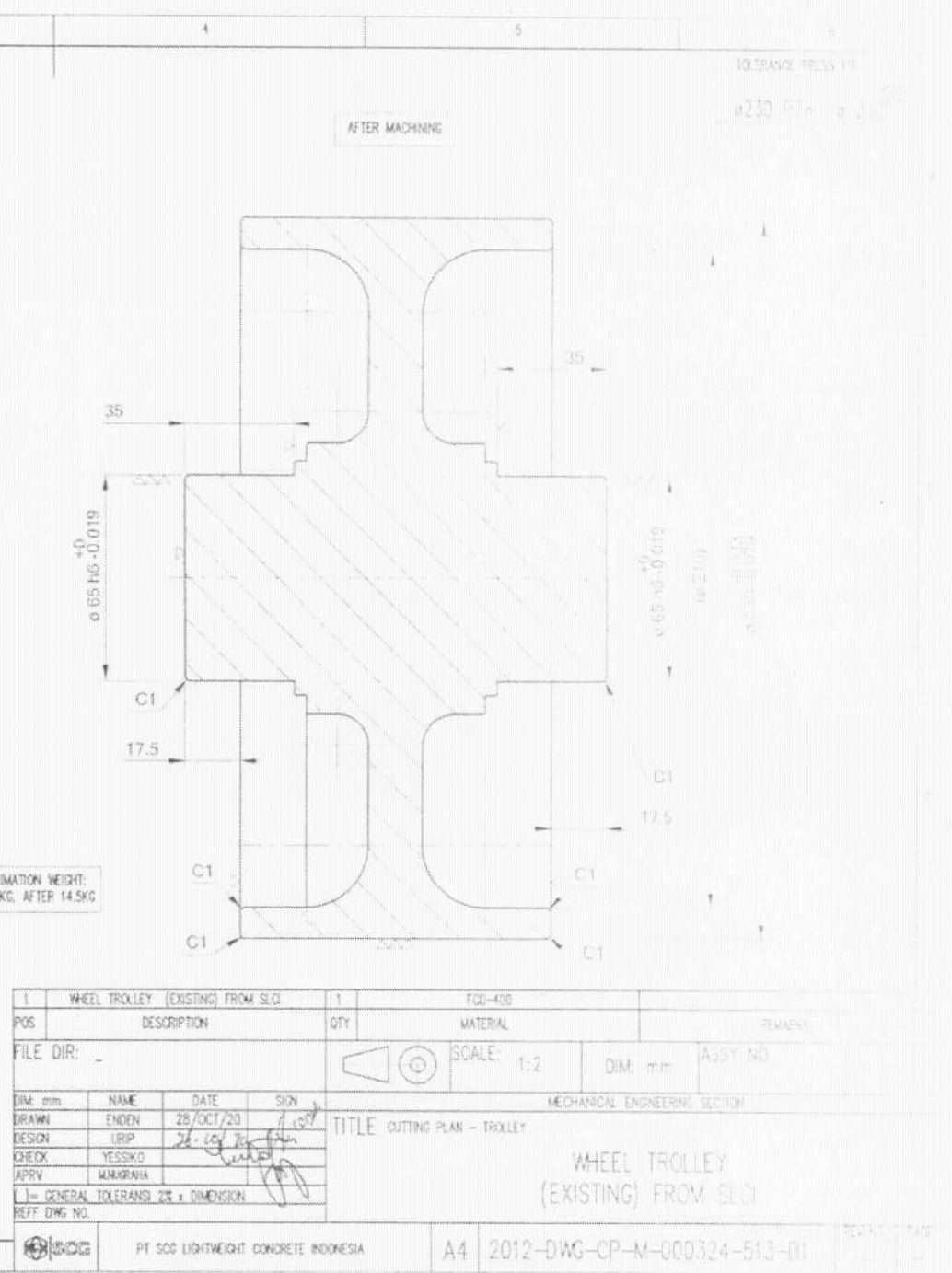
ø230 P7h6 g6

BEFORE MACHINING

AFTER MACHINING



\*NB= ESTIMATION WEIGHT:  
BEFORE 20KG, AFTER 14.5KG



1	WHEEL TROLLEY (EXISTING) FROM SLD	1	FCI-400	
POS	DESCRIPTION	QTY	MATERIAL	REMARKS
FILE DIR:			SCALE: 1:2	DIM: mm ASSY NO
DWG: mm	NAME	DATE	SIGN	
DRAWN	ENDEN	28/OCT/20	[Signature]	
DESIGN	LRIP		[Signature]	
CHECK	YESSIKO		[Signature]	
APRV	MANORAWA		[Signature]	
[ ] = GENERAL TOLERANSI 2 <sup>nd</sup> DIMENSION				
REF: DWG NO.				
PT SCC LIGHTWEIGHT CONCRETE INDONESIA			A4	2012-DWG-CP-M-000324-513-01

\*\* INCOMING PART WILL BE CHECK. IT WILL RETURN IF NOT PASS \*\*

POLISHING	GRINDING	NORMAL MACHINING (SMOOTH SURFACE)	NORMAL MACHINING (ROUGH SURFACE)
▽▽▽	▽▽	▽	▽

TITLE CUTTING PLAN - TROLLEY

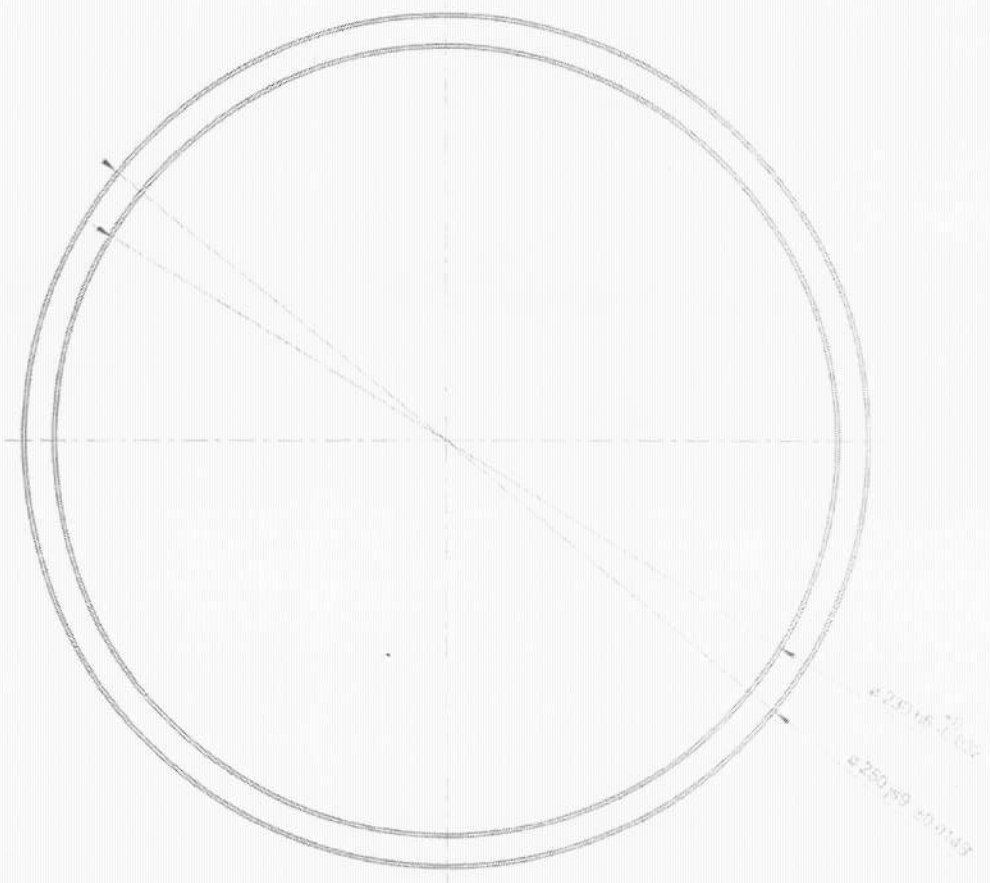
MECHANICAL ENGINEERING SECTION  
WHEEL TROLLEY  
(EXISTING) FROM SLD

REV: NO. PART

2020 05-01 21:00



\*NB\* ESTIMATION WEIGHT: 6,KG



$\varnothing 100 \pm 0,02$   
 $\varnothing 250 \pm 0,014$

\*\* INCOMING PART WILL BE CHECK. IT WILL RETURN IF NOT PASS \*\*

POLISHING	GRINDING	NORMAL MACHINING (SMOOTH SURFACE)	NORMAL MACHINING (ROUGH SURFACE)
▽▽▽	▽▽	▽	▽
1		2	3

1	BUSHING	1	S-45C	HARDENING 30-35 HRC (AFTER ASSEMBLY)
POS	DESCRIPTION	QTY	MATERIAL	REMARKS
FILE DIR: -			SCALE: 1:2	DIM: mm ASSY NO.
DIM: mm	NAME	DATE	SIGN	MECHANICAL ENGINEERING SECTION
DRAWN	ENDEN	28/01/20		TITLE CUTTING PLAN - TROLLEY
DESIGN	URIP	2/10/20		
CHECK	YESSHO			
APRV	MANGRAHA			
[ ] = GENERAL TOLERANSI 2% x DIMENSION				BUSHING
REF: DWG NO.				
PT SCG LIGHTWEIGHT CONCRETE INDONESIA		A4	2012-DWG-CP-M-000324-513-B1	



## PT. CIPTA PRESISI MANDIRI

PART SPECIALIST, DIES, GEAR, GENERAL CONTRACTOR & ENGINEERING SERVICE

Komplek Pergudangan Kamal Indah

BLOK E no.8 Kamal - Kalideres, Jakarta Barat

Telp. : (021) 2255 7468, 5595 9153 Fax. (021) 5595 9153

Mobile : 0812 1978 1011

E-mail : cpmindonesia@yahoo.co.id

Jakarta 26 Agustus 2022

Nomor : 341/CPM/VIII/22/SLCI/028

Hal : Penawaran Harga

Kepada :

PT. SCG Lightweight Concrete Indonesia

Jl.Surya Tekno Kav. I-TI-3 Surya Cipta

Karawang, Jawa Barat 41361

Up. Bp. Yoki Radiansyah

Telp. (0267) 8610362

Dengan hormat,

Bersama ini kami sampaikan penawaran harga untuk pembuatan part standard sesuai dengan gambar yang kami terima, adalah sebagai berikut:

*Confirmed by Pak Farizal.  
3.500.000 12/9.*

No.	Part Name	Dwg No	Mtrl	Qty	Harga	Jumlah
1	Bushing Wheel Trolley Dia 250 x 100	2012-DWG-CP-M-000324-513-B2	S45C Induction 30-35 HRC	1 Pcs	<del>3,850,000</del>	Rp 3,850,000
TOTAL						Rp 3,850,000

\* Harga diatas belum termasuk PPN 11 %

Keterangan:

- Delivery : ± 3 - 4 Minggu setelah PO diterima
- Pembayaran : 2 Minggu setelah barang diterima
- Penawaran ini berlaku selama 1 minggu

Demikian surat penawaran ini kami buat. Atas perhatian dan kerjasamanya kami ucapkan terima kasih.

Hormat kami,





## PT. BINTANG ANGKASA ANUGERAH

Dusun Kawali No.38 RT/RW 72/20

Desa Duren Kec. Klari - Karawang

Telp & Fax : 0267 8618459

Tanggal : Karawang, 15 September 2022

No. : 91/BAA/IX/22

Perihal : Penawaran Harga

Kepada Yth,

PT. SCG LIGHTWEIGHT CONCRETE IND  
KARAWANG

Telp : 0267-8610361

Fax : 0267-8610360

U/p : Bpk. Arfandi/ Bpk Nugri

Dengan hormat,

Terima kasih atas permintaan harga dari Bapak/Ibu untuk pembuatan barang di bawah ini. Dengan ini kami kirimkan penawaran harga sebagai berikut :

No	Nama Barang	Qty	Harga Satuan	Total Harga
1	Repair Wheel Trolley	4 Pcs	Rp 2.150.000	Rp 8.600.000

Ruang Lingkup pekerjaan PT. Bintang Angkasa Anugerah :

- Pembuatan Baru

### Kondisi Penawaran

1. Pengiriman : PT. SCG
2. Pembayaran : 1 (satu) bulan setelah barang dikirim
3. Pajak : Belum termasuk

Demikian penawaran harga dari kami, semoga sesuai dengan Budget yang Bapak/Ibu anggarkan. Atas perhatian dan kerjasamanya kami ucapkan terima kasih.

Hormat kami,

PT. Bintang Angkasa Anugerah

( Gunawan )



