

**SCG****PT. SCG LIGHTWEIGHT CONCRETE INDONESIA**JL. Surya Tekno KAV I-T1-3 Suryacipta City Of Industry,
Kutamekar, Ciampel Jawa Barat 41361 Indonesia

Phone : 0267-8610361

Fax : 0267-8610360

N.P.W.P : 31.567.302.0-433.000

PURCHASE ORDERTo : PT. CIPTA PRESISI MANDIRI
JL.KAMAL RAYA NO.8A RT.009 RW.01
DKI JAKARTA RAYA
Indonesia

PO No. : 4021012734

PO Date : 15.09.2022

PO Currency : IDR

Phone : 02155959153
Fax : 02155959153
N.P.W.P : 031717283085000

Please supply the following item

No.	Material Code	Item Description	Qty	Unit	Delivery Date	Unit Price	Total Amount	Discount
10	K16A06006	Shaft Sleeve 6/4 MST 90mm	5	PC	17.10.2022	2,150,000 / 1	10,750,000	0
20	K16A06007	Shaft Sleeve 6/4 MST 55mm	4	PC	17.10.2022	1,900,000 / 1	7,600,000	0

Delivery To : PT SLCI
JL. Surya Tekno KAV I-T1-3 Suryacipta City Of Industry,
Karawang 41361 Indonesia

Total Prices 18,350,000

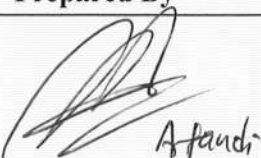

PPN (VAT) 2,018,500

Grand Total 20,368,500

Term of Payment : Credit 30 days after received bill

Remarks : PR 1021008286

Barang yang tidak sesuai spesifikasi akan kami kembalikan
(10) 2012.DWG-MPL-MSXX-M-001-3 Rev 3
(20) 2012.DWG-MPL-MS64-M-001-2 Rev 3

Prepared By	Checked By	Approved By	Confirmed By (Vendor)
 A. Fauzi			



Price Comparison Form

- Price Investigation
- Acquisition by Tender

- Raw Material
- Supply
- Made to Order

- Services
- Other.....

No. PC A2324

No.	Description	Quantity		Last price / Standard Price		PT Cipta Presisi Mandiri		PT Tjokro Bersaudara		Last Order					
				As At.....		c/o Mr. Farizal		c/o Mr. Rasmadi		Supplier: PT Cipta Presisi Mandiri					
				Price	Supplier Name	Price	Delivery	Price	Delivery	Price	Delivery	Price	Date	Remarks	
1	Shaft Sleeve 6/4 MST 90mm	5	pc	Rp10.750.000	PT Cipta Presisi Mandiri	Rp2.150.000		Rp2.560.000							
2	Shaft Sleeve 6/4 MST 55mm	4	pc	Rp7.600.000		Rp1.900.000		Rp2.200.000					Rp2.150.000	6/24/2022	
												Rp1.760.000	10/14/2021		
				Rp18.350.000											

- Verbal Price Investigation and Documented
- Price Negotiation
- Price investigation and Verbal Offering Price
- Documented price investigation and documented Offering Price
- Special Acquisition
- Urgently
- Acquire From Specific Source
- Acquire From Affiliate
- Urgently

- Lowest Price / Former Price
- Quality
- Delivery
- Monopoly

Reason : lowest price

- Require Approval not to Sign Contract Because Good History Supplier

Prepared by : Arfandi K. Date: 09-14-2022	Committee of Opening the Seal Price / Price Investigator Date:	Acknowledge by: Section Manager Date:	Acknowledge by: Plant Manager Date:
---	--	---	---

PURCHASE REQUEST CHECK APPROVAL

ITEM DESCRIPTION

PR Number : 1021012447
Total Price : IDR 10,385,715
Attachment : Click here (https://iot.slci.co.id/assets/lampiranpr/PR_1021012447.JPG)

Details PR

No.	Item	A	Material	Short Text	Quantity	Unit	Delivery Date	Plant	Matl.Group	PGR	Value
1	10		K16A06006	Shaft Sleeve 6/4 MST 90mm	5	PC	17.09.2022	PT SLCI	Spare Parts	DBA	10,385,715

2150

Purpose:

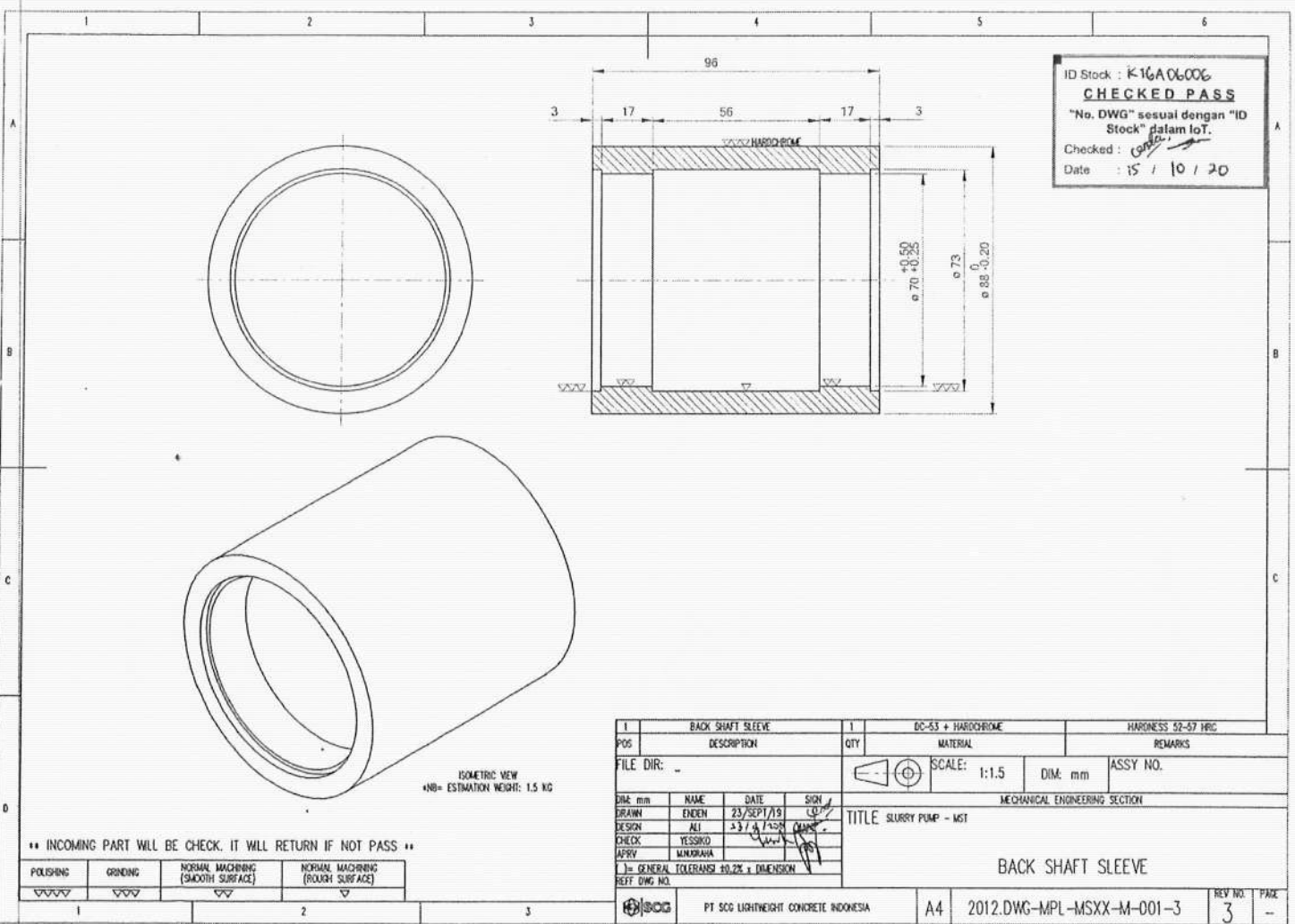
[10] For mechanical sparapart

Dibuat Oleh,
90093(Nana Kusmana)
2022-09-03 11:13:42

Checked by,
90065(Nur Mustaqim)
Approved at 2022-09-06
08:19:07

Budget Control,
90696(Mukhtar L)
Approved at 2022-09-08
11:33:25

Approved by,
90156(Mochamad
Nugrahaputra)
Approved at 2022-09-08
22:20:15



ID Stock : K16A06006
CHECKED PASS
 "No. DWG" sesuai dengan "ID Stock" dalam lot.
 Checked : *[Signature]*
 Date : 15 / 10 / 20

ISOMETRIC VIEW
 *NB= ESTIMATION WEIGHT: 1.5 KG

** INCOMING PART WILL BE CHECK. IT WILL RETURN IF NOT PASS **

POLISHING	GRINDING	NORMAL MACHINING (SMOOTH SURFACE)	NORMAL MACHINING (ROUGH SURFACE)
▽▽▽	▽▽▽	▽	▽

1		BACK SHAFT SLEEVE		1	DC-53 + HARDCHROME	HARDNESS 52-57 HRC	
POS	DESCRIPTION	QTY	MATERIAL	REMARKS			
FILE DIR:			SCALE: 1:1.5	DIM: mm	ASSY NO.		
DRAWN	NAME	DATE	SIGNATURE				
DESIGN	ALI	23/SEP/19					
CHECK	YESNO	23/9/19					
APPROV	MURAHWA						
TOLERANSI: ±0.2% x DIMENSION							
REF: DWG NO.							
PT SCG LIGHTWEIGHT CONCRETE INDONESIA				A4	2012.DWG-MPL-MSXX-M-001-3		REV NO. 3
TITLE SLURRY PUMP - MGT							PAGE -
MECHANICAL ENGINEERING SECTION							
BACK SHAFT SLEEVE							

PURCHASE REQUEST CHECK APPROVAL

ITEM DESCRIPTION

PR Number : 1021012448
Total Price : IDR 6,615,836
Attachment : Click here (https://iot.scli.co.id/assets/lampiranpr/PR_1021012448.JPG)

Details PR

No.	Item	A	Material	Short Text	Quantity	Unit	Delivery Date	Plant	Matl.Group	PGR	Value
1	10		K16A06007	Shaft Sleeve 6/4 MST 55mm	4	PC	17.09.2022	PT SLCI	Spare Parts	DBA	6,615,836

Purpose:

1760

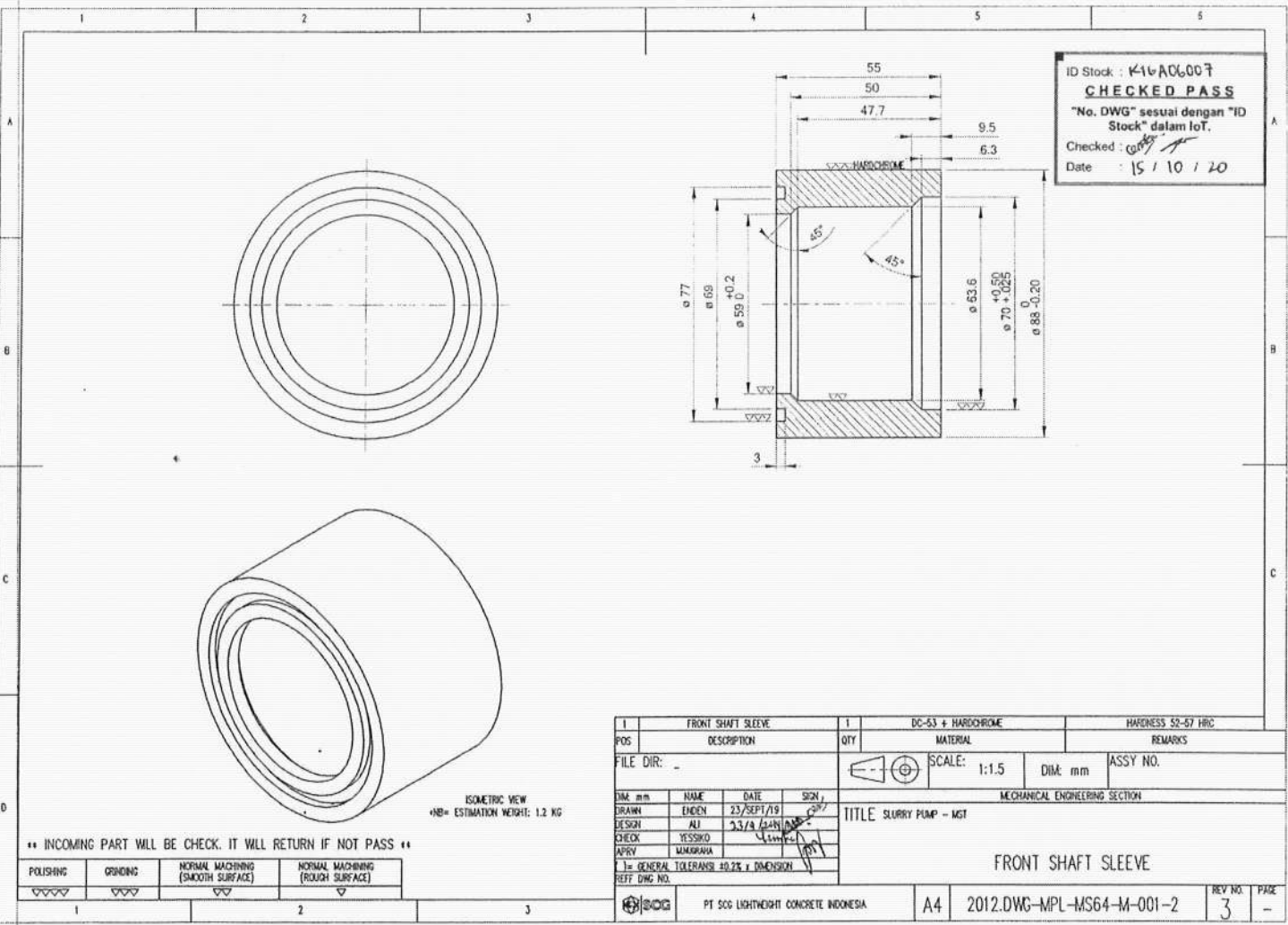
[10] For mechanical sparapart

Dibuat Oleh,
90093(Nana Kusmana)
2022-09-03 11:17:56

Checked by,
90065(Nur Mustaqim)
Approved at 2022-09-06
08:19:10

Budget Control,
90696(Mukhtar L)
Approved at 2022-09-08
11:34:23

Approved by,
90156(Mochamad
Nugrahaputra)
Approved at 2022-09-08
22:20:23



ID Stock : K-10AC6007
CHECKED PASS
 "No. DWG" sesuai dengan "ID Stock" dalam lot.
 Checked : *[Signature]*
 Date : 15 / 10 / 20

ISOMETRIC VIEW
 NB ESTIMATION WEIGHT: 1.2 KG

** INCOMING PART WILL BE CHECK. IT WILL RETURN IF NOT PASS **

POLISHING	GRINDING	NORMAL MACHINING (SMOOTH SURFACE)	NORMAL MACHINING (ROUGH SURFACE)
▽▽▽	▽▽	▽	▽

1	FRONT SHAFT SLEEVE	1	DC-53 + HARDCHROME	HARDNESS 52-57 HRC
POS	DESCRIPTION	QTY	MATERIAL	REMARKS
FILE DIR: -			SCALE: 1:1.5	DIAM mm ASSY NO.
DIA mm	NAME	DATE	SIGN	
DRAWN	ENDEN	23/SEPT/19	<i>[Signature]</i>	
DESIGN	ALI	23/9/2019	<i>[Signature]</i>	
CHECK	YESSIKO		<i>[Signature]</i>	
APPROV	WIKARANA		<i>[Signature]</i>	
* = GENERAL TOLERANSI ±0.2% x DIMENSION				
REF DWG NO.				
PT SOC LIGHTWEIGHT CONCRETE INDONESIA		A4	2012.DWG-MPL-MS64-M-001-2	REV NO. 3
				PAGE -



TITLE SLURRY PUMP - KGT

FRONT SHAFT SLEEVE

MECHANICAL ENGINEERING SECTION



PT. CIPTA PRESISI MANDIRI

PART SPECIALIST, DIES, GEAR, GENERAL CONTRACTOR & ENGINEERING SERVICE

Komplek Pergudangan Kamal Indah

BLOK E no.8 Kamal - Kalideres, Jakarta Barat

Telp. : (021) 2255 7468, 5595 9153 Fax. (021) 5595 9153

Mobile : 0812 1978 1011

E-mail : cpmindonesia@yahoo.co.id

Jakarta 13 September 2022

Nomor : 376/CPM/IX/22/SLCI/033

Hal : Penawaran Harga

Kepada :

PT. SCG Lightweight Concrete Indonesia

Jl.Surya Tekno Kav. I-T1-3 Surya Cipta

Karawang, Jawa Barat 41361

Up. Bp. Yoki Radiansyah

Telp. (0267) 8610362

Dengan hormat,

Bersama ini kami sampaikan penawaran harga untuk pembuatan part standard sesuai dengan gambar yang kami terima, adalah sebagai berikut:

No.	Part Name	Dwg No	Mtrl	Qty	Harga	Jumlah
1	Shaft Sleeve 6/4 Dia 88 x 55	2012-DWG-MPL-MS64-M-001-2	DC 53 Hardchrome 52-57 HRC	4 Pcs	1,900,000	Rp 7,600,000
2	Shaft Sleeve 6/4 Dia 88 x 90	2012-DWG-MPL-MS64-M-001-3	DC 53 Hardchrome 52-57 HRC	5 Pcs	2,150,000	Rp 10,750,000
TOTAL						Rp 18,350,000

* Harga diatas belum termasuk PPN 11 %

Keterangan:

Repeat PO 4021012382

date 24.06.22

- Delivery : ± 4 - 6 Minggu setelah PO diterima
- Pembayaran : 2 Minggu setelah barang diterima
- Penawaran ini berlaku selama 1 minggu

Demikian surat penawaran ini kami buat. Atas perhatian dan kerjasamanya kami ucapkan terima kasih.

Hormat kami,





TJOKRO
BERSAUDARA
CIBINONG

Cibinong, 05 Maret 2022

Nomor : 0001/AN/TB-CBN/SCG/III/2022
Lamp :
Hal : Penawaran Harga

Kepada Yth :
PT. SCG Lightweight Concrete Indonesia
Jl. Surya Tekno Kav. I-T1-3 Surya Cipta
Karawang Jawa Barat 41361

Up. : Bp. Arfandi Kurniawan
Telp : 0267 - 8610362
Phone : 0896 2577 2127
Email :

Dengan hormat,

Sesuai dengan permintaan PT. SCG Lightweight Concrete Indonesia, bersama ini kami ajukan penawaran harga untuk pekerjaan parts tersebut di bawah ini :

NO	URAIAN	QTY	SAT	PRICE	TOTAL
1	Shaft Sleeve 4/3 MST.52mm	4	PCS	Rp 2,200,000	Rp 8,800,000
2	Shaft Sleeve 4/3 MST.80mm	4	PCS	Rp 2,550,000	Rp 10,200,000
3	Shaft Sleeve 6/4 MST 55mm	4	PCS	Rp 2,750,000	Rp 11,000,000
4	Shaft Sleeve 6/4 MST 90mm	4	PCS	Rp 3,200,000	Rp 12,800,000
Grand Total					Rp 42,800,000

2.200.000

2.560.000

Note :

- Harga di atas belum termasuk PPN 10%
- DP 40%, dengan sisa pembayaran Cash setelah barang diterima
- Lama pengerjaan 20 hari kerja
- Penawaran berlaku 1 minggu sejak tanggal surat ini

Confirmed by Pak
Rasmadi 12/3

Demikian Penawaran Harga ini kami sampaikan.
Terima kasih atas kepercayaan dan kerjasamanya.

Hormat kami,

Andi Aprianto
Marketing

Rasmadi
Operational Manager

FABRICINDO MECHANICAL ENGINEERING DIVISION

Jl. Raya Bogor No. 42 Cibinong, Bogor 16916, Indonesia
Telepon : (021) 8752835, 8751026, 8752890, FAX: (021) 8752869
E-mail : www.tjokrogroup.com

The Member Of :

