



PT. PRO ROLL INTERNATIONAL

Rubber Rollers Mfg – Rubber Recovering – Hard Chrome –
-Hard Anodize – Polyurethane - Teflon Coating
Taman Kopo Indah III E 16 no 186 Bandung 40218 Indonesia

Telp. 022-88887510 Fax 022-88887511 Email : sales@proroll.co.id Website:www.proroll.co.id

COMPANY	: PT. SCG LIGHTWEIGHT CONCRETE INDONESIA	DATE	: 8 NOVEMBER 2024
FAX	: 0267-8610360	PAGE	: 1
ATTENTION	: Mr. YOKI RADIANSYAH	OUR REF	: PJ-092/XI/24
CC	:		

QUOTATION - YOUR RFQ "RELINING FRICTION WHEEL"

Dear Sir,

Thank you for the inquiry and we are pleased to submit our offer :

NO	NO MAT'L	DESCRIPTION	QUANTITY	PRICE	
				EACH	TOTAL
1		RELINING FRICTION WHEEL - OD : 252.4 mm - ID : 190.4 mm - THICKNESS : 31 mm - FACE LENGTH : 105 mm - MATERIAL : POLYURETHANE HP - HARDNESS : 90-95 SHORE A - WARRANTY : 3 MONTHS	2 PCS	Rp 2,000,000	Rp 4,000,000

- Delivery Time : 4 WEEKS AFTER RECEIVED PO
: FRC MILL SCG
- TERM OF Payment : Credit Note 30 DAYS after invoice
- VAT (PPN) : Excluded PPN (11%)

Thank you, for your kind attention and cooperation
sincerely yours,

CHRISTIAN HERYANTO
(081 822 1581)



PT. SUKSES MANDIRI JAYA TEKNIK

Manufacture Rubber Parts & General Trade

Mutiara Gading City, Cluster Napoli C. 01 No. 18 RT 004/017 Babelan, Bekasi - Jawa Barat

Telp. +62 21 22145879, +62 21 89133371 | Email : suksesmandiri.jt@gmail.com

workshop : Jl. Gelora No. 155 RT 017/003 , Babelan Kota - Bekasi

QUOTATION

QUOT-24-0011000013

To	: PT. SCG Lightweight Concerte Indonesia	Date	: 08 November 2024
Attn	: Bpk. Yoki	From	: Surono
Fax	:	Contact Person	: 0878-8877-2031
Email	: yokiradi@scg.com	Ref. No	:

Dear sir/ madam,

We are pleased to quote you as follows

No.	DESCRIPTION	MATERIAL	QTY	Unit Price	TOTAL
1	Relining roll PU size : 192.4x252.4		2 pcs	3.100.000 Rp 2.790.000	6.200.000

Konfirmasi ke pak surono 12/11/24

Total	6.200.000
Discount	-
DP	-
Net Total	6.200.000
PPN 11%	682.000
Grand Total	6.882.000

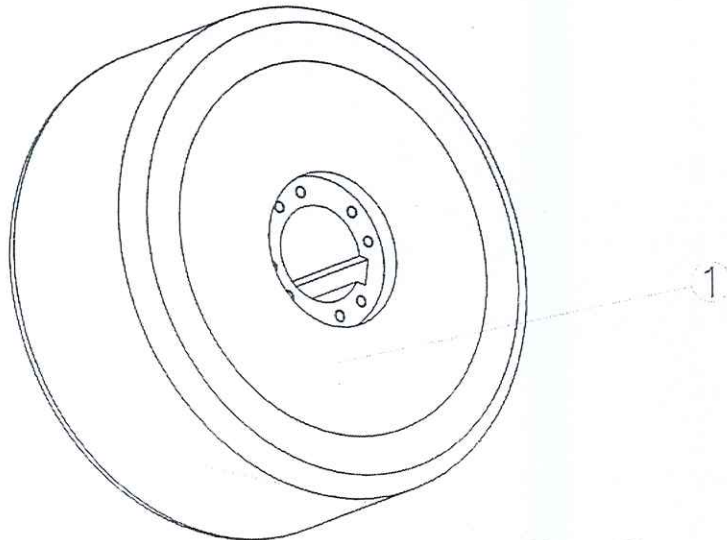
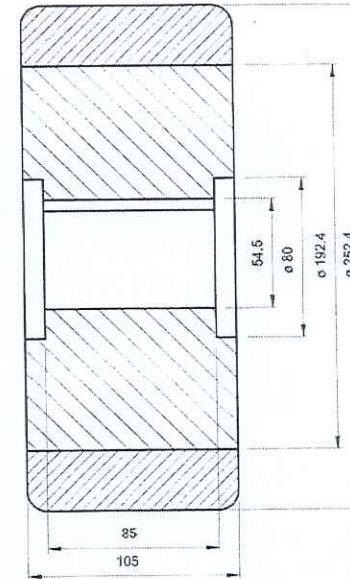
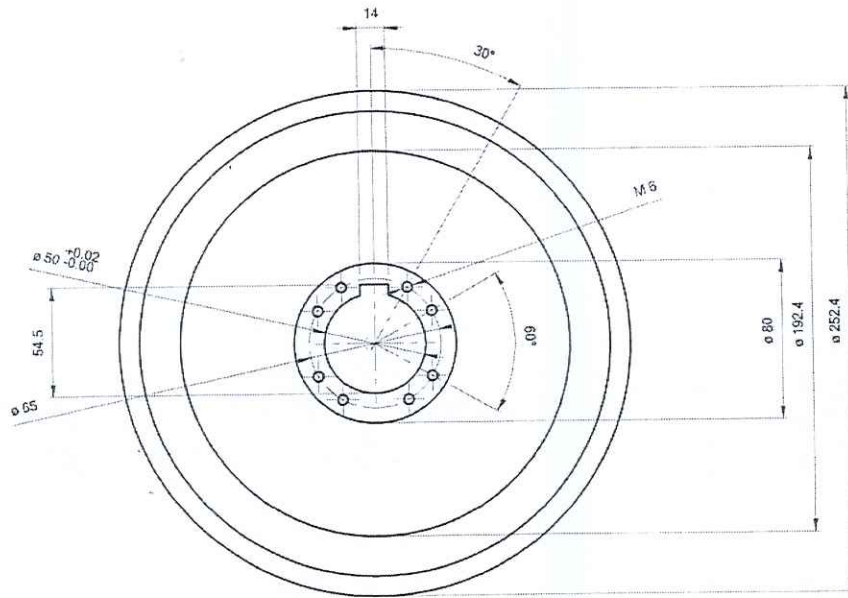
- Delivery Time : 2 Minggu
- Valid Until : 1 Minggu
- Payment : 30 Hari

Your soonest reply is highly appreciated

Thank you
Best regards,



Surono



2

2.	Rubber od 252.4, Id 192.4mm	1	PU shore 90 - 95	
1.	Wheel	1	S 45 c with refining Polyurethan	
No.	Description	Qty.	Materials	Remark
Dir. File	C:\Gara Medy\Mechanical\Project\SLU\dwg		Scale: 1:1	Assy. No.
Dim : mm	Name	Date	Title: Refeeding cutting Board	
Drawn	Sigit Setiyono	06 sept'13	Wheel	
Designed				
Checked	Rully Adi Irawan	07/10/16		
Approved	M Nugrahaputra			

