



PT. PRO ROLL INTERNATIONAL

Rubber Rollers Mfg – Rubber Recovering – Hard Chrome –

-Hard Anodize – Polyurethane - Teflon Coating

Taman Kopo Indah III E 16 no 186 Bandung 40218 Indonesia

Telp. 022-88887510 Fax 022-88887511 Email : sales@proroll.co.id Website:www.proroll.co.id

COMPANY	: PT. SCG LIGHTWEIGHT CONCRETE INDONESIA	DATE	: 27 AGUSTUS 2024
FAX	: 0267-8610360	PAGE	: 1
ATTENTION	: Mr. YOKI RADIANSYAH	OUR REF	: PJ-062/VIII/24
CC	:		

QUOTATION - YOUR RFQ "SPONGE GRIPPER UNLOADER"

Dear Sir,
Thank you for the inquiry and we are pleased to submit our offer :

NO	NO MAT'L	DESCRIPTION	QUANTITY	PRICE	
				EACH	TOTAL
1		SPONGE GRIPPER UNLOADER - DIMENSI : AS PER DWG - DWG REF : 2012-DWG-PPL-SG-M-011 - MATERIAL : POLYURETHANE 70-80 SHORE A : PERFORATED PLATE - GUARANTEE : 1 MONTHS	6 pcs	Rp 2,200,000	Rp 13,200,000

NOTE : HARGA REPEAT ORDER

- Delivery Time : **4 WEEKS AFTER RECEIVED PO**
: **FRC MILL SCG**
- TERM OF Payment : **Credit Note 30 DAYS after invoice**
- VAT (PPN) : **Excluded PPN (11%)**

Thank you, for your kind attention and cooperation
sincerely yours,



PRO ROLL INTERNATIONAL
CHRISTIAN HERYANTO
(081 822 1581)



CV. SUMBER MANDIRI
UTAMA

Machining, Polyurethane,
Rubber, Silicone & Plastics

S P H
SURAT PENAWARAN HARGA

No. SPH : 1064/PH/SMU/VIII/2024

Tanggal : 28 Agustus 2024

A. Biodata Workshop

CV. SUMBER MANDIRI UTAMA

Jl. Terusan Cibiuk No. 142 C Cangkang Wetan

Dayeuhkolot Kab. Bandung

Telp / Fax : (022) 5441 6778

Email : cs@sumbermandiriutama.com

Marketing : Nur Mustopa Kamal

Mobile : 081 1234 6033

B. Biodata Customer

Kepada Yth.

Nama Perusahaan : PT. SCG Lightweight Concrete Indonesia

Alamat : Jl. Surya Tekno Kav. I-T1-3 Surya Cipta
Kabupaten Karawang, Jawa Barat 41361

Telp. : 0267-8610362

Fax. :

Email :

Person : Bapak Yoki Radi

Dengan Hormat,

Berikut ini kami sampaikan penawaran harga untuk barang berikut dibawah ini :

C. Biodata Pekerjaan

Jenis pekerjaan :

Sub bidang :

No.	Deskripsi	Qty.	Harga Satuan (Rp)	Jumlah Harga (Rp)
1.	Sponge Gripper 1175x26x147mm	1 pc	7.500.000,00	7.500.000,00
Terbilang : Delapan Juta Tigaratus Duapuluh Lima Ribu Rupiah			Jumlah PPN 11% Jumlah Total	7.500.000,00 825.000,00 8.325.000,00

Spesifikasi/Keterangan :

Ruang Lingkup Kerja Umum (RLKU)

1. Inspeksi awal
2. Diskusi teknik
3. Pengadaan material
4. Proses produksi

Demikian surat penawaran harga ini kami sampaikan, dan kami tunggu kabar baik selanjutnya.
Atas perhatian dan kerjasamanya, kami ucapkan terima kasih.

D. Ketentuan

Proses kerja : 30 hari kerja



Pembayaran : 1 bulan

Franco : PT. SCG Lightweight Concrete Indonesia

Keterangan : Pekerjaan setelah PO/SPK diterima

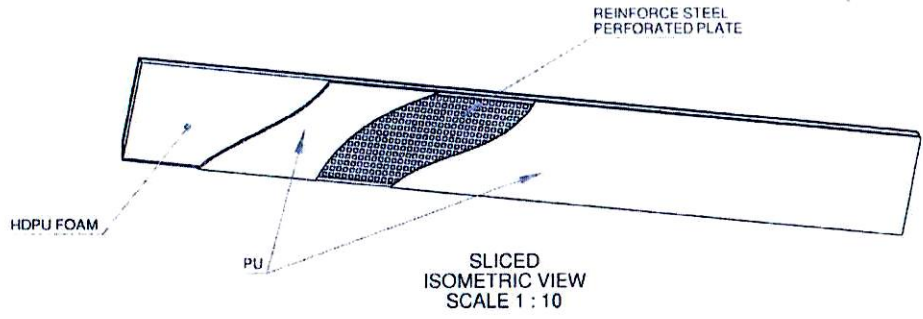
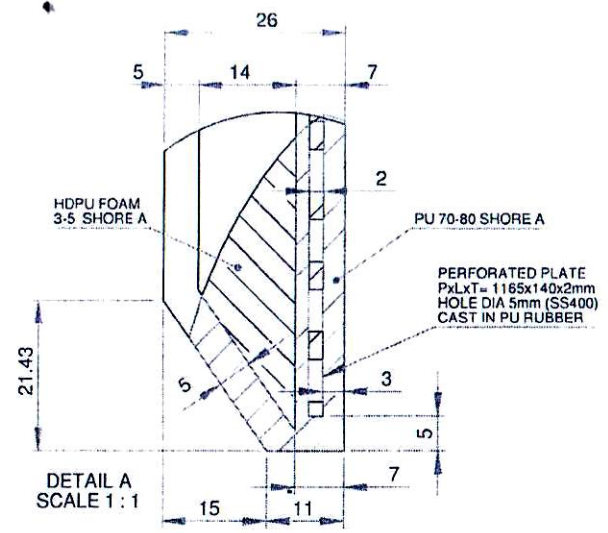
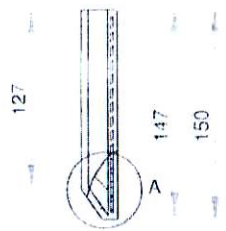
Dibuat Oleh,

Disetujui Oleh,



CV. Sumber Mandiri
Utama

Nur M. Kamal

ID Stock : **K16A07024**
CHECKED PASS
 "No. DWG" sesuai dengan "ID Stock" dalam IoT.
 Checked : *[Signature]*
 Date : **15 / 10 / 20**



**** INCOMING PART WILL BE CHECK. IT WILL RETURN IF NOT PASS ****

POLISHING	GRINDING	NORMAL MACHINING (SMOOTH SURFACE)	NORMAL MACHINING (ROUGH SURFACE)
▽▽▽	▽▽	▽	▽
1	2	3	

POS	DESCRIPTION	QTY	MATERIAL	REMARKS
FILE DIR: \\192.168.4.15\mechanical\Draft Nuryana\Proyek Pak Ajib\Sponge Gripen\		⊕	SCALE: 1:5	DIM: mm ASSY NO.
MECHANICAL ENGINEERING SECTION				
DIM: mm	NAME	DATE	TITLE PACKING SPONGE GRIPPER	
DRAWN	ENDEN	1/10/2018		
DESIGN	AVAILABLE	<i>[Signature]</i>		
CHECK	YESSIKO	<i>[Signature]</i>		
APRV	RULLY	<i>[Signature]</i>		
CANCEL DWG NO.				
REFF DWG NO.				
PT SCG LIGHTWEIGHT CONCRETE INDONESIA		A4	2012-DWG-PPL-SG-M-011	REV NO. PAGE
				3