



**Attention :**  
**BAPAK YOKI**  
**PT.SCG LIGHTWEIGHT CONCRETE INDONESIA**  
 JL.SURYA TEKNO KAV I-T1-3 SURYACIPTA CITY OF INDUSTRIES  
 BLOK - NO. - RT:000 RW:000 KEL.KUTAMEKAR  
 Telp. 0267-8610361  
 Fax.

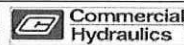
Date : 13-December-2024  
 Reference : CYLINDER  
 Currency : IDR  
 Validity : 1 Week  
 Sales in charge : RIA  
 TOP : 30 Hari

NO	DESCRIPTION	QTY	UOM	Delivery	UNIT PRICE	TOTAL PRICE
1	HYDRAULIC CYLINDER LOCK ARREST VCN 150	4	UNIT	2 WEEKS	<del>7.063.200,00</del> 4.500.000 Konfirmasi Harga ke Ibu RIA	28.252.800,00

**Catatan (Remarks) :**  
 FRANCO JABODETABEK

Sub Total	:	28.252.800,00
Discount	:	0.00
PPN (V.A.T)	:	3.107.808,00
<b>Grand Total</b>	:	<b>31.360.608,00</b>

RIA



**PT.DUTAFLOW HIDROLIK**

JL. DAAN MOGOT KM 3, RUKAN GREEN GARDEN BLOK Z-2 NO.68  
KEDOYA UTARA JAKARTA BARAT 11520  
021-5815236, 5814173 FAX 021-5815235

**QUOTATION**

No. **QUO/XII/24/0093**

Tanggal : 11 Desember 2024

Sales : DOLEN

Mata Uang : IDR - RUPIAH

Tempo : 30 Hari

Customer

**PT. SCG LIGHTWEIGHT CONCRETE INDONESIA (CU00776)**

JL.SURYA TEKNO KAV I-T1-3, SURYACIPTA CITY OF INDUSTRY,  
KUTAMEKAR, CIAMPEL, KARAWANG, JAWA BARAT 41361

**BAPAK YOGA**

Hal : 1 / 1

No.	Nama Produk	Ket.	Quantity	@ Harga	Disc.%	Total Harga
1	HYDRAULIC CYLINDER WELDED FA DIMENSI BORE 80/95 X AS 45 X ST120MM * MATERIAL VCN-150 FOR AS ROD & PISTON		1 UNIT	4,845,000	0	4,845,000

Terbilang :

**# LIMA JUTA TIGA RATUS TUJUH PULUH TUJUH RIBU SEMBILAN RATUS LIMA PULUH RUPIAH #**

Total Harga : 4,845,000

Discount : 0

Total Setelah Disc : 4,845,000

PPN : 532,950

**Grand Total : 5,377,950**

Keterangan :

VALIDITY 1 WEEK

DELIVERY TIME 2-3 WEEK

Hormat Kami,

( DINA )

**Forward To :**

PT SCG Lightweight Concrete Indonesia  
Jl. Surya Tekno Kawasan Industri Surya Cipta  
KAV I-TI-3, Kutamekar Ciampel, Jawa-Barat 41363  
Phone : 021-31900577  
Fax :

**Shipped To :**

PT SCG Lightweight Concrete Indonesia  
Jl. Surya Tekno Kawasan Industri Surya Cip  
KAV I-TI-3, Kutamekar Ciampel, Jawa-Barat 41363  
Phone : 021-31900577  
Fax :  
Email : [febiani.jayanti@nesitor.com](mailto:febiani.jayanti@nesitor.com)

**Attention to :**

Mrs Febi

## QUOTATION

[Sealing Solutions & Hydraulic Services]

QO No : **I24121901**

Date : 19 Desember 2024

Our Ref. :

Date :

From / Sales Engineer :

Name : **Mr Irvan**

Phone : 081291254409

Fax : 021-85508574

Email : [irvan@sji-nusantara.com](mailto:irvan@sji-nusantara.com)

We are pleased to quote you the followings :

No	Descriptions	Qty	Unit	Unit Price (IDR)	Amount (IDR)
1	Cylinder Hydraulic HWD 80/95 X AS IH 45 X ST 127mm	4	Btg	4.840.000	19.360.000
2					
3					
4					
5					
6					
7					
8					
9					
10					
11					
12					
13					
14					
15					
16					

Delivery Time : **2-3 Weeks**

Delivery Terms : **Franco Your Ware House**

Payment Terms : **30 Days**

Validity : **30 days from date of quotation.**

IMPT : Price quoted is based on the quantity stated above in one order.

Sub Total :	19.360.000
Discount % :	0
DPP (After Discount) :	19.360.000
VAT 11 % :	2.129.600
Freight :	0

**Grand Total : 21.489.600**

We hope this offer meets your expectations and we are looking forward to receive your order.

You can rest assured that your order will be came out to your entire satisfaction.

**Notes :**

Item No 4 Indent 6-7 Weeks, Harga sudah Termasuk COC

Bekasi, **19 Desember 2024**

Your Sincerely,

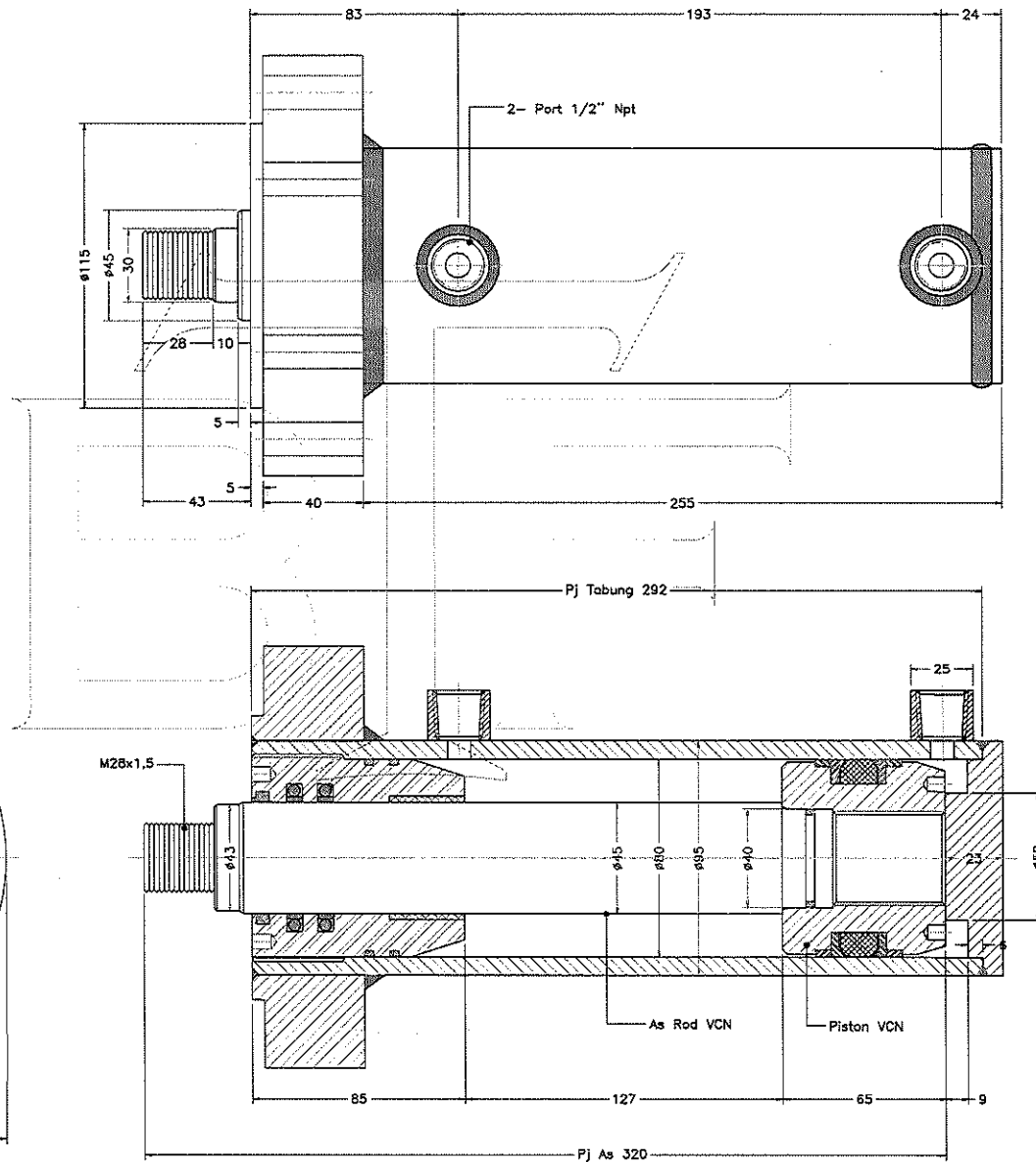
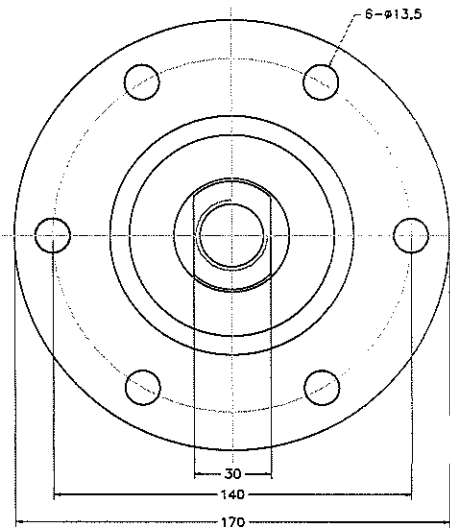
**Mr Irvan**

Sales Manager Hydraulic System

1 2 3 4 5 6 7 8

A  
B  
C  
D  
E  
F

A  
B  
C  
D  
E  
F



*Robby*

TITIP		
Hyd Cyl Welded FA		
PT. BESTFLOW SYSTEM		
DESIGNED	Tonagoli	DATE
DRAWN	Dudi	11/1/25
APPROVED	User	11/1/25
CUSTOMER		
PT SLCI		
SCALE	1:1	SHEET 1/1 EDITION R1
JOB NO :	RELEASE DATE :	

1 2 3 4 5 6 7 8