

# PURCHASE REQUEST CHECK APPROVAL

## ITEM DESCRIPTION

[Download PDF! \(https://iot.slci.co.id/download\\_PR/1021015235\)](https://iot.slci.co.id/download_PR/1021015235)

**PR Number** : 1021015235  
**Total Price** : IDR 2,618,624  
**Attachment** : [Click here \(https://iot.slci.co.id/assets/lampiranpr/PR\\_1021015235.JPG\)](https://iot.slci.co.id/assets/lampiranpr/PR_1021015235.JPG)

## Details PR

No.	Item	A	Material	Short Text	Quantity	Unit	Delivery Date	Plant	Matl.Group	PGR	Value
1	10		K16A02007	Return Roller BW 500	8.000	PC	19.08.2024	PT SLCI	Spare Parts	DBA	2,618,624

### Purpose:

[10] Stock for Belt conveyor BC 01,02,06,09,10,11,12 area raw material

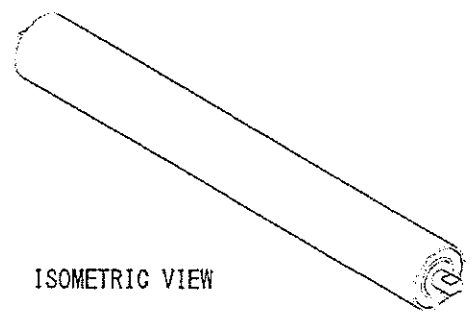
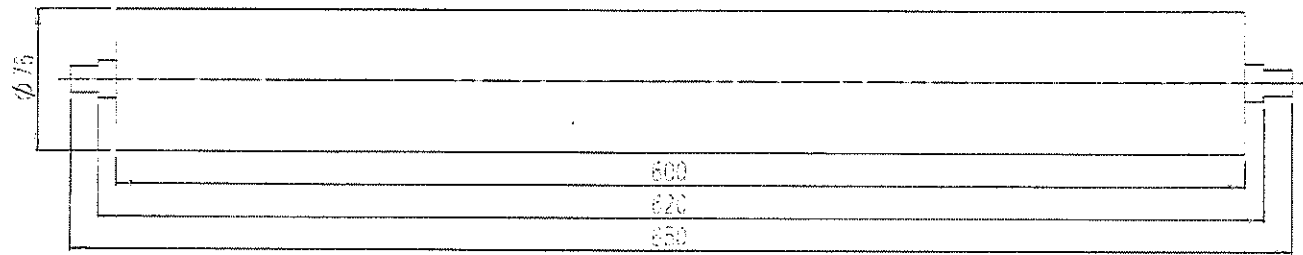
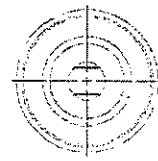
**Dibuat Oleh,**  
90401(Yayan Abdul Azis)  
2024-06-19 19:24:52

**Checked by,**  
90065(Nur Mustaqim)  
**Approved at** 2024-06-24  
10:23:33

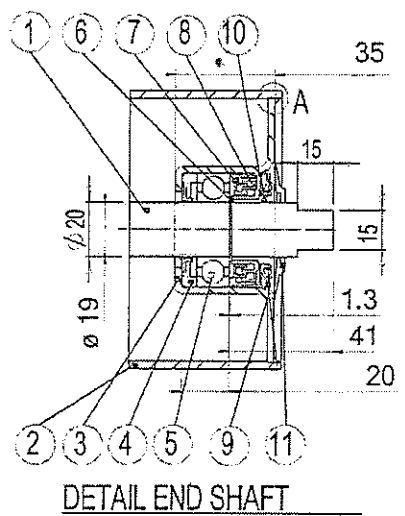
**Budget Control,**  
90696(Mukhtar L)  
**Approved at** 2024-06-24  
15:29:06

**Approved by,**  
90450(Rossita Sunatra)  
**Approved at** 2024-06-25  
10:55:14

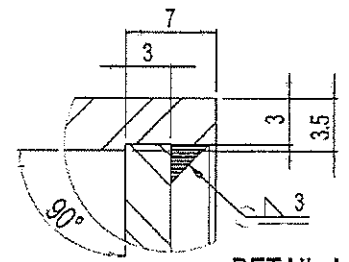
ID Stock : K16A02007  
**CHECKED PASS**  
 "No. DWG" sesuai dengan "ID Stock" dalam IoT.  
 Checked : *[Signature]*  
 Date : 15 / 10 / 20



ISOMETRIC VIEW



DETAIL END SHAFT



DETAIL-A

No	Description	Qty	Material	Remark
11	Rubber Cover 6204	2	NBR	
10	Plastic Cap	2	PA6	
9	Steel Cap	2	Mild Steel	
8	Outer Labyrinth Seal	2	PA6	
7	Inner Labyrinth Seal	2	PA6	
6	Shapping: 3.20 mm	2	SKS	
5	Bearing SKF/FAG 6204 ZZCC	2		
4	Inner Seal	2	PA6	
3	Bearing Housing TCR 204-76; 3 mm Thk.	2	Mild Steel	
2	Sheet: 76 x 600 mm; 3.5 mm Thk.	1	0235	
1	Shaft: φ20 x 600 mm	1		

Dir./ File : \_\_\_\_\_ Scale: 1:33  
 Dim : mm Name Date Sign Title : RAW MATERIAL - BELT CONVEYOR  
 Drawn EIDEH 21 JULY 18  
 Designed AVAILBLE  
 Checked YESSIKO  
 Approved IL MURAHAN

RETURN ROLLER BW 500

**PT. SUPRABAKTI MANDIRI**  
**GRAHA SUPRA** Jl. Danau Sunter Utara Blok A, No. 9  
Jakarta Utara 14350, INDONESIA.  
Phone +62 21 658 33 666 (hunting) Fax +62 21 658 31 666  
www.suprabakti.cp.id | email: info@beltcare.com



To.	: PT. SCG Lightweight Concrete Indonesia	Ref.	: 387/SBM/Q/JAB-FNR/VII/24-rev01
Attn	: Bp. Arfandi Kurniawan	Contract Person	: Darwin / Fahri
Cc	: Bp.	Phone	: +62 21 879 40846
Fax/Tlp	: 0267-8610362	Fax	: +62 21 875 4946
Subject	: Return Roller 76x600x650	Date	: 15 Juli 2024
		Email	: <a href="mailto:darwin@beltcare.com">darwin@beltcare.com</a> <a href="mailto:fahri@beltcare.com">fahri@beltcare.com</a>

Yth. Bapak Arfandi Kurniawan

Merujuk pada RFQ 15235 mengenai kebutuhan Retur Roller 76x600x650, berikut yang dapat kami tawarkan:

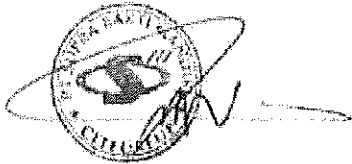
<b>8 Ea</b>	<b>Return Roller</b>	
	Ukuran	: Ø 76 x 600 x 650 x 20 x 14 mm
	Diameter Drum (Steel)	: 76 mm; Specs. Matrl. : Steel Q235; 3.5 mm thk.
	Panjang Drum	: 600 mm
	Diameter Shaft at bearing	: 20 mm; Specs. Matrl. : Steel SS41
	Panjang Shaft	: 650 mm
	Bearing	: 6204
	Painting	: Powder Coating warna : Light Blue
	Estimasi Berat	: 6.6 kg / Pcs
	Harga	: Rp. 388.500 / Pcs.....Rp. 3.108.000,-

**Term and Conditions:**

1. Delivery : 14 hari kerja setelah approval drawing
2. Manufacture : Technoroll – Suprabakti Mandiri
3. Payment : 30 Hari setelah invoice
4. Validity : 30 Hari kerja
5. Harga termasuk franco Karawang dan tidak termasuk Ppn 11%

Terimakasih atar perhatiannya, dan ditunggu kabar baiknya

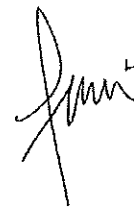
Salam hormat,  
**PT. Suprabakti Mandiri**



**Darwin**  
Regional Manager



**Dartono**  
Area Manager



**Fahri Nur Rozi**  
Sales Engineer





**PT. WINUS SINAR GEMILANG**  
Gedung Graha Krama Yudha Lt. 4 Unit B, Jl. Warung Jati Barat  
No. 43 Kel. Duren Tiga, Kec. Pancoran - Jakarta Selatan, 12760  
Telp. 021 - 7945301 / 0812 - 9772 - 9446  
Email : winussg@gmail.com, admin@winussg.com

### QUOTATION

Quotation No. : 107/QTN/WSG/VII/2024	No. of Page : 1 of 1
Quotation Date : Kamis, 04 Juli 2024	Inq. Date : Selasa, 02 Juli 2024
Revision : 1	Inq. By : WhatsApp
Subject : Return Roller Dia.76 mm BW500	

Customer : PT. SCG LIGHTWEIGHT CONCRETE INDONESIA	Attention : Bp. Arfandi Kurniawan
Address : Jl. Surya Tekno Kav. I-T1-3 Surya Cipta Karawang, Jawa Barat 41361	Phone : 0896-2577-2127
Telephone : 0267-8610362	Email : arfandikurn@scg.com

Dear Sir,

The reference to your Inquiry about Return Roller Dia. 76 mm BW500, we are pleased to submit the following quotation for your review and consideration, and we hope this price offer can be well received, thank you so much.

NO	DESCRIPTION	QTY	UNIT	UNIT PRICE (Rp)	AMOUNT (Rp)
1	<b>#Sparepart Conveyor</b> <b>Return Roller BW500</b> Dimensi : $\varnothing$ 76 x $\varnothing$ 20 x 600 x 650 mm Bearing 6204 ZZ FAG Brand Weight : $\pm$ Kg /pcs	6	Pcs	Rp 390.000	Rp 2.340.000
SUB TOTAL					Rp 2.340.000
PPN 11%					Rp 257.400
TOTAL FULL					Rp 2.597.400

### TERM CONDITION AND REMARKS :

- 1 Price : Harga sudah termasuk PPN
- 2 Quotation Validity : **10 Hari (sampai dengan hari Minggu, 14 Juli 2024)**
- 3 Delivery Schedule : Estimasi  $\pm$  2 - 3 Minggu setelah PO dan Approval Drawing diterima
- 4 Delivery Point : Franco Karawang
- 5 Term of Payment : **Pelunasan 30 Hari setelah Barang dan Invoice diterima**
- 6 Stock : Indent (job order) production after received PO)

Best Regards,

  
**WINUS**  
SINAR GEMILANG

Indra

+62813-8987-0004

SEMPERIT 

 百特磁电  
BATE MAGNETISM

TRANSTECNO  
The new line of automation

TECO

Continental 

 隆源  
LONG YUAN

\*Conveyor Belt\*Heavy Duty Roller.\*Drum Pulley\*Belt Cleaner\*Rubber L.\*Magnetic Separator\*Motor Gearbox\*  
\*Skirt Rubber\*Conveyor System\*Conveyor Grafity,Belt PVC\*Stone Crusher\*Engineering,Procurement,Construction\*



# PT PERKALIN INDAH

METAL & RUBBER MANUFACTURING COMPANY

Jl. Raya Cibeunying, Desa/Kec. Cipeundeuy  
Subang, 41272  
Phone (0260) 4641643

# Quotation

DATE 9-Jul-24  
Qoutation # PI417  
Customer ID

## Quotation for:

Name Mr. Arfandi Kurniawan  
Company Name PT. SCG Lightweight Concrete Indonesia  
Email [arfandikurn@scg.com](mailto:arfandikurn@scg.com)

Quotation Valid Until 16-Jul-24  
Prepared by: POPI PUSPITASARI  
PR No.: 15235

Phone

NO	DESCRIPTION	QTY	UNIT PRICE	AMOUNT
1	Return Roller BW 500 76x600x650x20x14mm	8 Pcs	Rp 900.000	Rp 7.200.000

## Terms & Conditions :

- 1 Franco PT. SCG Lightweight Concrete Indonesia
- 2 Delivery Time 30 Days After PO
- 3 Payment 30 Days After Invoice
- 4 Down Payment
- 5 Bank BNI 55 03011969 (PT Perkalin Indah)

SUBTOTAL	Rp 7.200.000
TAX RATE	11%
SALES TAX	Rp 792.000
OTHER	
<b>TOTAL</b>	<b>Rp 7.992.000</b>

Sincerely,

**INDRA NUGRAHA**  
Marketing Director