

# PURCHASE REQUEST CHECK APPROVAL

## ITEM DESCRIPTION

[Download PDF! \(https://iot.scli.co.id/download\\_PR/1021015393\)](https://iot.scli.co.id/download_PR/1021015393)

**PR Number** : 1021015393  
**Total Price** : IDR 6,000,000  
**Attachment** : [Click here \(https://iot.scli.co.id/assets/lampiranpr/PR\\_1021015393.JPG\)](https://iot.scli.co.id/assets/lampiranpr/PR_1021015393.JPG)

## Details PR

No.	Item	A	Material	Short Text	Quantity	Unit	Delivery Date	Plant	Matl.Group	PGR	Value	Ref
1	10	K		Stamp SCG	1.000	PC	13.08.2024	PT SLCI	Supplies	DBA	3,000,000	
2	20	K		Stamp SCG SNI	1.000	PC	13.08.2024	PT SLCI	Supplies	DBA	3,000,000	

### Purpose:

[10] For Stamping ALC Product

[20] For Stamping ALC Product

GL: 523079

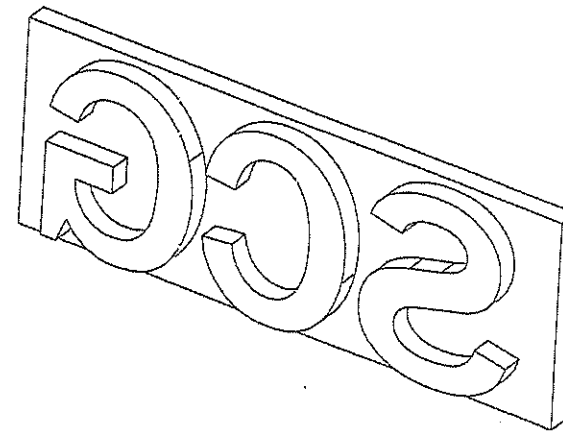
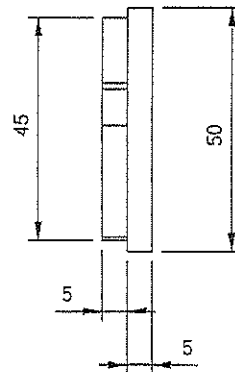
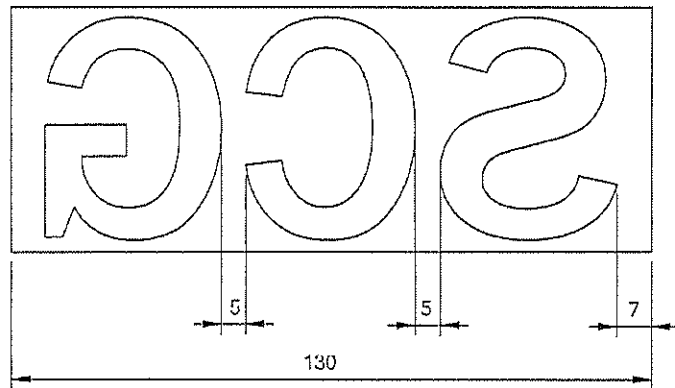
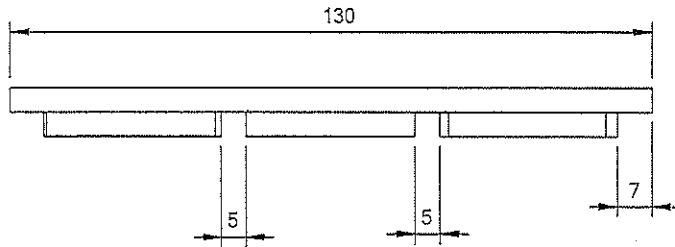
CC: 2011-12000

**Dibuat Oleh,**  
91709(Robby M)  
2024-07-25 13:17:04

**Checked by,**  
90715(M.Moechlis)  
**Approved** at 2024-07-25  
13:39:51

**Budget Control,**  
90696(Mukhtar L)  
**Approved** at 2024-07-25  
14:37:27

**Approved by,**  
90005(Vorapong Panavasu)  
**Approved** at 2024-07-26  
00:56:58

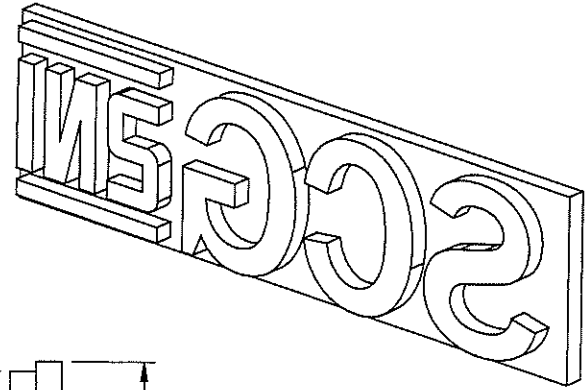
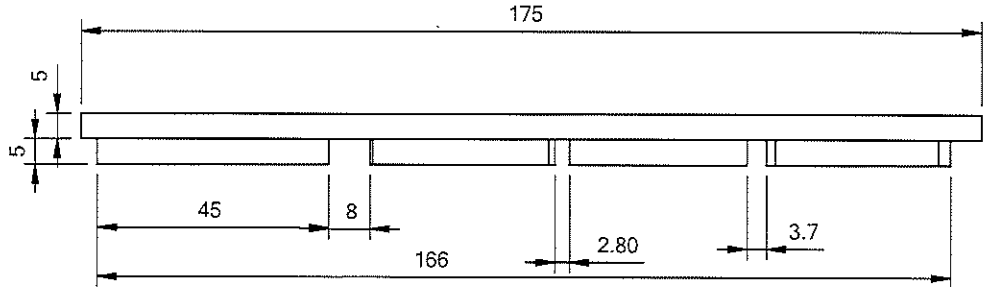


ISOMETRIC VIEW

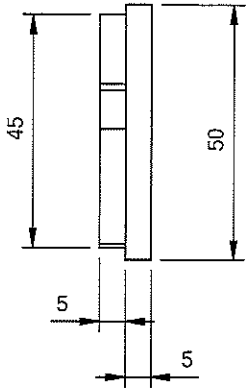
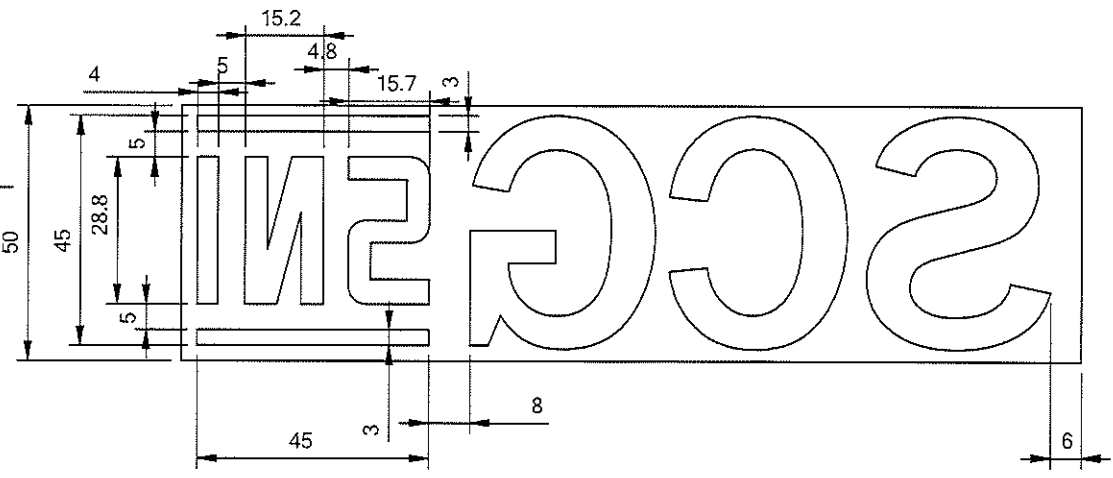
\*\* INCOMING PART WILL BE CHECK. IT WILL RETURN IF NOT PASS \*\*

POLISHING	GRINDING	NORMAL MACHINING (SMOOTH SURFACE)	NORMAL MACHINING (ROUGH SURFACE)
▽▽▽	▽▽	▽	▽

KETERANGAN		REVISI	
NO	DISKRIPSI	DI	REVISI
FILE DESK.		SCALE: 1:1	DIN: am
DIT: am DESAIN: Sigit REVISI: M. NUGRAH CHECK: M. NUGRAH DATE: 12-MAY-2019		MECHANICAL ENGINEERING SECTION TITLE: STAMPING SCG	
CUCUL NO 01 REF: 016 10		PT. SCS PT. SCS LIGHTWEIGHT CONCRETE INDONESIA A4 2012-DWG-CPL-ST2-M-001 C1	

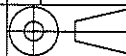



ISOMETRIC VIEW



\*\* INCOMING PART WILL BE CHECK. IT WILL RETURN IF NOT PASS \*\*

POLISHING	GRINDING	NORMAL MACHINING (SMOOTH SURFACE)	NORMAL MACHINING (ROUGH SURFACE)
▽▽▽▽	▽▽	▽	▽

1		STAMPING SCG		1		SS400			
POS		DESCRIPTION		QTY		MATERIAL		REMARKS	
FILE DIR:				 SCALE: 1:1		DIM: mm			
DIR: ee		NAME		DATE		MECHANICAL ENGINEERING SECTION			
DRAWN		S101T		05-DEC-2023		TITLE CUTTING PLANT			
DESIGN		Available							
CHECK		H. HEGRAH							
APPROV		H. HUGRAHA							
CANCEL DSG NO.									
REF: DWG NO.									
 PT SCG LIGHTWEIGHT CONCRETE INDONESIA		A4		2012-DWG-CPL-ST2-N-001 C1		REV. NO.		PAGE	
						1		1	

STAMPING SCG SNI



# CV. ADWITIYA ENGINEERING

MACHINING & FABRICATION

Office / Workshop

Jl. Raya Setu No. 162 Desa Cibuntu

RT. 001 / RW. 012 Kec. Cibitung Kab. Bekasi

Hp. 0852 1400 5351

E-mail : adwityaengineering@gmail.com

## QUOTATION

No : 3232/PEN-AE/III/24  
Hal : Penawaran Harga  
E-mail : adwityaengineering@gmail.com

Cibitung, 04 Maret 2024

Kepada Yth.  
PT. SCG Lightweight Concrete Indonesia  
Jl. Surya Tekno kav. 1-T1-3 Surya Cipta  
Karawang Jawa Barat 41361

Up : Mr. Arfandi Kurniawan  
cc :  
Telp : -

Dengan hormat,

Sesuai dengan permintaan bapak / ibu, kami mengajukan penawaran harga dengan Item - item sebagai berikut :


No	Nama Item	Description	Qty		Harga Satuan	Jumlah
1	STAMPING SCG SNI	Material S5400	1	Pcs	Rp 3.800.000,00	Rp 3.800.000,00
2	STAMPING Q-CON	Material S5400	1	Pcs	Rp 3.800.000,00	Rp 3.800.000,00
					⊕ 3.600.000	
					confirmed by	
					Pat. Agus 5/3	
TOTAL						Rp 7.600.000,00

Demikian penawaran dari kami, semoga dapat diterima dengan baik. Atas kerja samanya kami ucapkan terima kasih.

### Keterangan :

1. Penawaran belum termasuk PPh 11%
2. Penawaran berlaku selama 1 bulan
3. Pemesanan barang yang sudah di order tidak dapat dibatalkan
4. Pembayaran :

Bank BCA No.Rek. : 343-3004481 a/n: CV.ADWITIYA ENGINEERING  
NPWP : 31.612.073.2-413.000

  
CV. ADWITIYA ENGINEERING  
Agus Setyawan  
CV. Adwitiya Engineering



## PT. PRO ROLL INTERNATIONAL

Rubber Rollers Mfg - Rubber Recovering - Hard Chrome -  
 -Hard Anodize - Polyurethane - Teflon Coating  
 Taman Kopo Indah, Jl E 1E no 166 Bandung 40218 Indonesia

Telo. 022-88287610 Fax 022-89887511 Email : sales@proroll.co.id Website:www.proroll.co.id

COMPANY	: PT. SCG LIGHTWEIGHT CONCRETE INDONESIA	DATE	: 10 MAY 2023
FAX	: 0267-8610360	PAGE	: 1
ATTENTION	: Mr. ARFANDI KURNIAWAN	OUR REF	: PJ-038/V/23
CC	:		

### QUOTATION - "YOUR RFQ STAMPING PLAT DURAONE"

Dear Sir,  
 Thank you for the inquiry and we are pleased to submit our offer :

NO	NO MAT'L	DESCRIPTION	QUANTITY	PRICE	
				EACH	TOTAL
1		STAMPING PLAT DURAONE - DIMENSI : 190 mm x 30 mm x 10 mm - MATERIAL : BESI - DWG REF : 2012-DWG-CPL-ST2-M-001 C-DO2	1 PCS	Rp. 7,500,000  7.000.000  confirmed by	Rp 7,500,000

- Delivery Time : 2 WEEKS AFTER RECEIVED PO  
: FRC MILL SCG
- TERM OF Payment : Credit Note 30 DAYS after Invoice
- VAT (PPN) : Excluded PPN (11%)

Ink. Yuyang <sup>4/5</sup>

Thank you, for your kind attention and cooperation  
 sincerely yours,

YAYANG HERYANTO  
 ( 081 822 1581 )