

Display Purchase Req. 1021011754

Document Overview On Personal Setting

2010 PR frm MRP/CBP 1021011754

Header

Default Values

Requisn Date	St...	Item	A	I	M	Short Text	Quantity	Unit	Delivery Date	P...	Requisitioner	Matl Group	Plant	Stor. Loc.	Purch. Grp	Total Value
16.03.2022		10	F			Mild Steel plate t=12mm	1	PC	29.03.2022	1	Taufik	Asset; AUC	PT SLCI		DBA	4,700,000
16.03.2022		20	F			Angle bar 50mm	16	PC	29.03.2022	1	Taufik	Asset; AUC	PT SLCI		DBA	5,600,000
16.03.2022		30	F			Unp 100x50	22	PC	29.03.2022	1	Taufik	Asset; AUC	PT SLCI		DBA	12,320,000
16.03.2022		40	F			Expandet F3035 t=5mm	7	PC	29.03.2022	1	Taufik	Asset; AUC	PT SLCI		DBA	10,500,000
16.03.2022		50	F			Mild Steel Plate t=8mm	2	PC	29.03.2022	1	Taufik	Asset; AUC	PT SLCI		DBA	7,000,000

Item [50] Mild Steel Plate t=8mm

Material Data | Quantities/Dates | Valuation | Account Assignment | Source of Supply | Status | Contact Person | **Texts** | Delivery Address | Spec2000 / SC

Item Texts	A...	
• Item text	<input checked="" type="checkbox"/>	Purpose : Supplies material for project : Replace frame BC 9 GL : 910030 IO : 201020000229
• Item note	<input type="checkbox"/>	
• Delivery text	<input type="checkbox"/>	
• Material PO text	<input type="checkbox"/>	

**SCG**PT. SCG Lightweight Concrete Indonesia
Project (CIP) / Asset Requestion Form

PT. SCG LIGHTWEIGHT CONCRETE INDONESIA

 Project Asset**DETAIL**

Project/ Asset Name : Replace Frame BC #9 (26m)

Purpose : Replacement frame and platform of Belt Conveyor #9 for safety purpose and extend lifetime performance of BC #9

Department Cost Center : Maintenance

Start/ Finish : Mar-2022 - Jul-2022

BUDGET

Original Amount : Rp260,000,000.00

Additional Amount 1 :

Additional Amount 2 :

 Annual Budget Additional Budget

Re-approved By Director

Re-approved By Director

Project/ Asset Number *) : * Filled by Accounting

Proposed By	Acknowledged By	Check By	Approved By
 TAUFIK H.			
User	User Superior	Accounting Dept	Director

From: Chalinee Suntiworawut <chalinsu@scg.com>
Sent: Tuesday, March 1, 2022 6:01 PM
To: Asep Suhandi <asepsuha@scg.com>; Mukhtar Luthfi <mukhtar01@scg.com>
Cc: Mochamad Nugrahaputra <mochamnu@scg.com>; Sanny Christina <sannychr@scg.com>
Subject: RE: Request data CAPEX 2022 SLCI

Message Classification: **CONFIDENTIAL**

Dear All,

Herewith, I attached approved CAPEX budget for the year 2022, totaled 2.0 bn.IDR for your reference.

Please be noted that we still need to request to PD before start or utilize any budgets

Regards,
Chalinee Suntiworawut

From: Asep Suhandi <asepsuha@scg.com>
Sent: Tuesday, March 1, 2022 1:59 PM
To: Mukhtar Luthfi <mukhtar01@scg.com>
Cc: Mochamad Nugrahaputra <mochamnu@scg.com>; Sanny Christina <sannychr@scg.com>; Chalinee Suntiworawut <chalinsu@scg.com>
Subject: Request data CAPEX 2022 SLCI

Dear Pak Mukhtar.

Pak, terkait keperluan rencana perbaikan atau pengadaan spare part mesin,
Saya mau request dikirimkan data pengajuan CAPEX 2022 SLCI yang telah diajukan oleh Pak Nugi.

Maintenance akan mengikuti data pengajuan CAPEX 2022 SLCI tersebut.

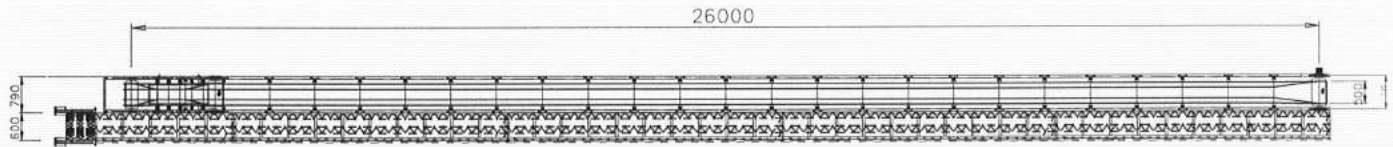
Terima kasih,
Asep Suhandi

Template for the Capital expenditure budget 2022 for company that do not use e-Asset.

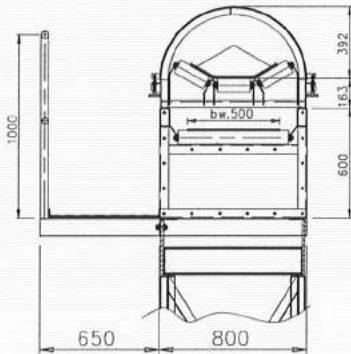
****Note : (1) Please complete all fields (2) Do not insert or delete Column ****

ComCode	FiscalYear	BudgetName	Order Code	CE Code	CAPEX Code	StartDate (Format 1/1/2022)	EndDate (Format 31/10/2022)	quantity	Unit	usefulLif	Budget Amount (IDR)	Currency	Group
2010	2022	Gear box Main mixer - Gearmotor RF107 DRS 180 C4, 30KW 73Rpm	01	2	21A	1/1/2022	30/11/2022	1	UT	8	100,000,000	IDR	Turnaround & Maintenance
2010	2022	Hydraulic motor Tilting 1 & 2 - Motor Lammers 20kW 16BG207-4MA66-Z	01	2	21A	1/1/2022	31/12/2022	1	UT	8	35,000,000	IDR	Turnaround & Maintenance
2010	2022	Blower for palm kernel boiler - Root Blower TH-200 1050 Rpm	01	2	21A	1/1/2022	31/12/2022	1	UT	8	180,000,000	IDR	Turnaround & Maintenance
2010	2022	Gear box friction wheel transport system - Gear Box motor SEW S67 DRS80M4	01	2	21A	1/1/2022	31/12/2022	1	UT	8	20,000,000	IDR	Turnaround & Maintenance
2010	2022	Pipe water supply to machine - pipe 4" length 150 meter	01	2	21A	1/1/2022	31/12/2022	1	UT	8	80,000,000	IDR	Turnaround & Maintenance
2010	2022	Automatic Cutting board cleaning	2	2	21A	1/1/2022	31/12/2022	1	UT	8	80,000,000	IDR	Cost Saving & Efficiency
2010	2022	Recondition Sand bucket elevator	2	2	21A	1/1/2022	31/12/2022	1	UT	8	50,000,000	IDR	Turnaround & Maintenance
2010	2022	Recondition Frame BC 9	2	2	21A	1/1/2022	31/12/2022	1	UT	8	260,000,000	IDR	Turnaround & Maintenance
2010	2022	Recondition trolley cover at Cutting machine	2	2	21A	1/1/2022	31/12/2022	1	UT	8	100,000,000	IDR	Turnaround & Maintenance
2010	2022	Overhead stirrer for Lime test QC - Overhead Stirrer Type DLS Cat. F20100155	1	1	21A	1/1/2022	31/12/2022	1	UT	8	15,000,000	IDR	R&D
2010	2022	Recondition Gearbox Ball Mill #2	2	2	21A	1/1/2022	31/12/2022	1	UT	8	260,000,000	IDR	Turnaround & Maintenance
2010	2022	Project safety improvement for SLF implementation	2	2	21A	1/1/2022	31/12/2022	1	UT	8	80,000,000	IDR	Cost Saving & Efficiency
2010	2022	Project Roof extention in Warehouse	2	2	21A	1/1/2022	31/12/2022	1	UT	8	50,000,000	IDR	Cost Saving & Efficiency
2010	2022	Project Truck scale control room	2	2	21A	1/1/2022	31/12/2022	1	UT	8	60,000,000	IDR	Cost Saving & Efficiency
2010	2022	Project solar diesel tank 8,000 liter	2	2	21A	1/1/2022	31/12/2022	1	UT	8	500,000,000	IDR	Turnaround & Maintenance
2010	2022	Coupling Ball mill #3 motor	01	2	21A	1/1/2022	30/11/2022	1	UT	8	130,000,000	IDR	Turnaround & Maintenance

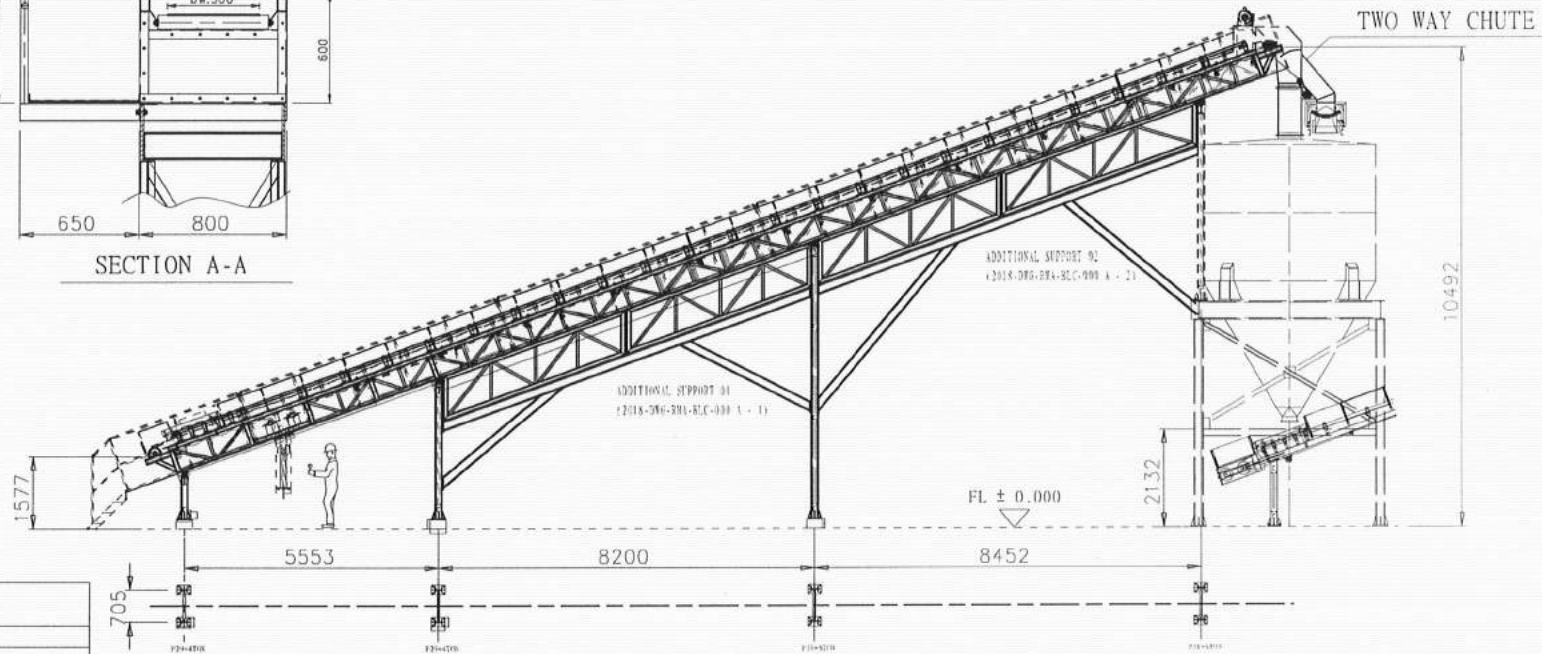
2,000,000,000



TOP VIEW



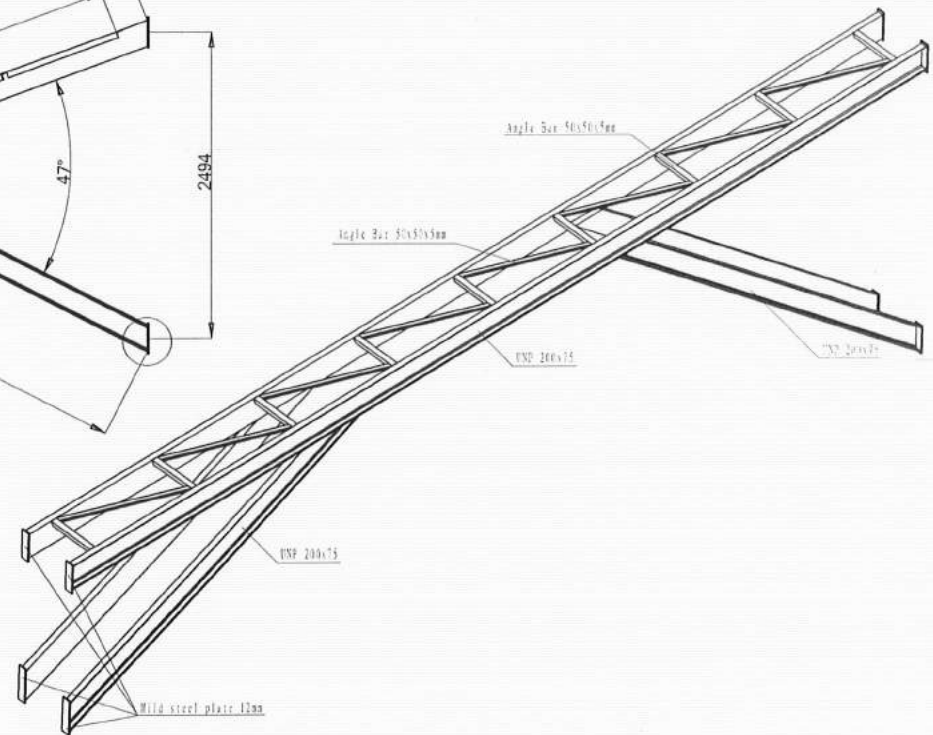
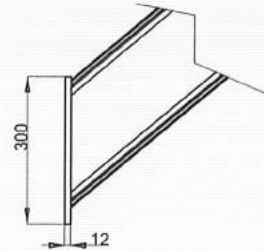
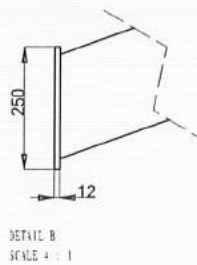
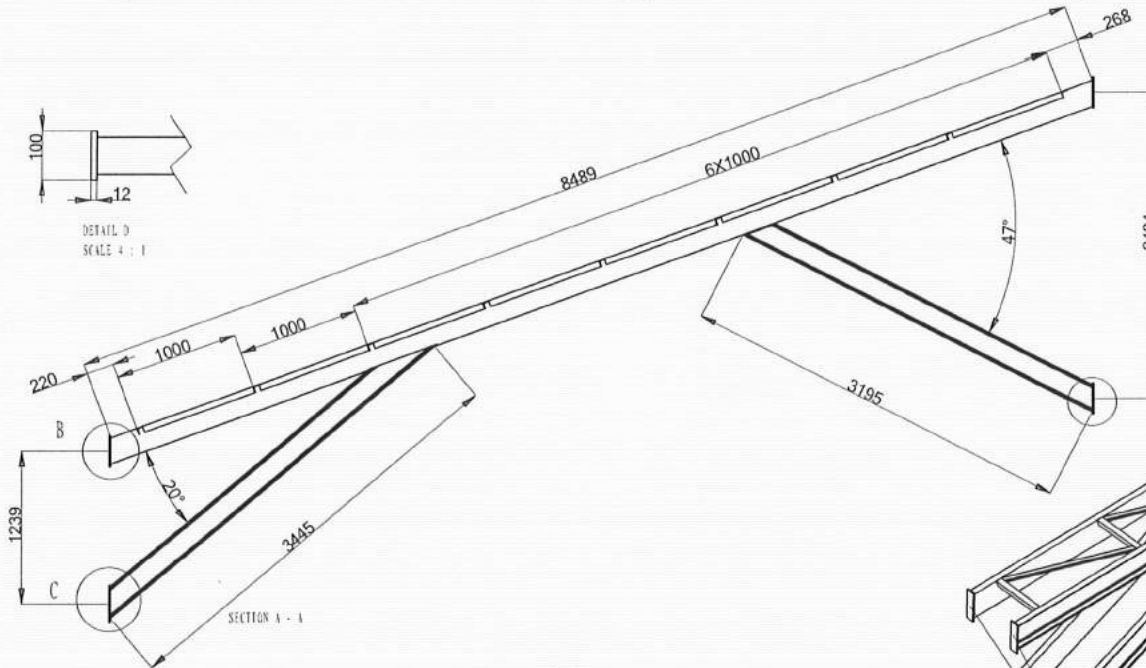
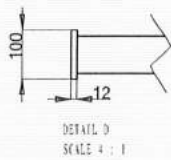
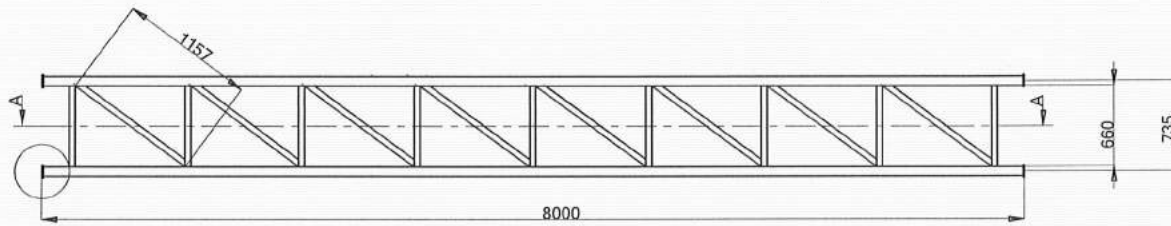
SECTION A-A



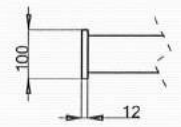
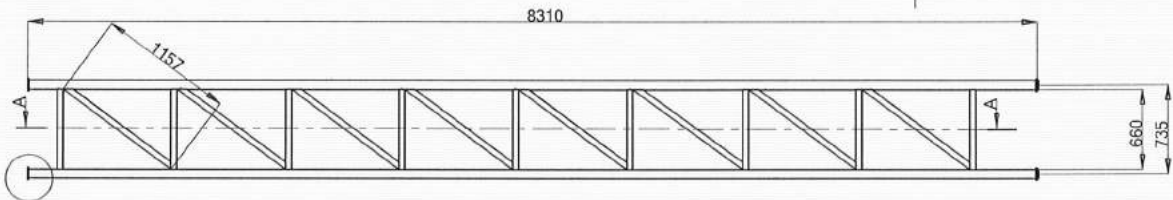
SPECIFICATION

EQUIPMENT NAME	: BELT CONVEYOR
EQUIPMENT NO.	: 2018-DWG-RM-BLC-000
CAPACITY (ton/hr)	: 30
BELT WIDTH (mm)	: 500
BELT TYPE	: SKIDTRAIL (6+2) + COVER
CONVEYOR LENGTH (C - C) (m)	: 15535
LIFTING HEIGHT (mm)	: -
SPEED (m/sec)	: 0.33
TAKE UP TYPE	: SCREW
MOTOR (kW)	: 5.5
ACCESSORIES	<ul style="list-style-type: none"> 1-BACKSTOP 2-BELT CLEANER 3-ROTATION DETECTOR 4-SELF ALIGNING CARRIAGE 5-SKIDTRAIL BOARD 6-LOAD BREW

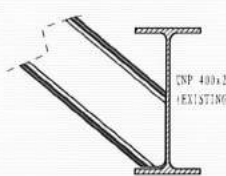
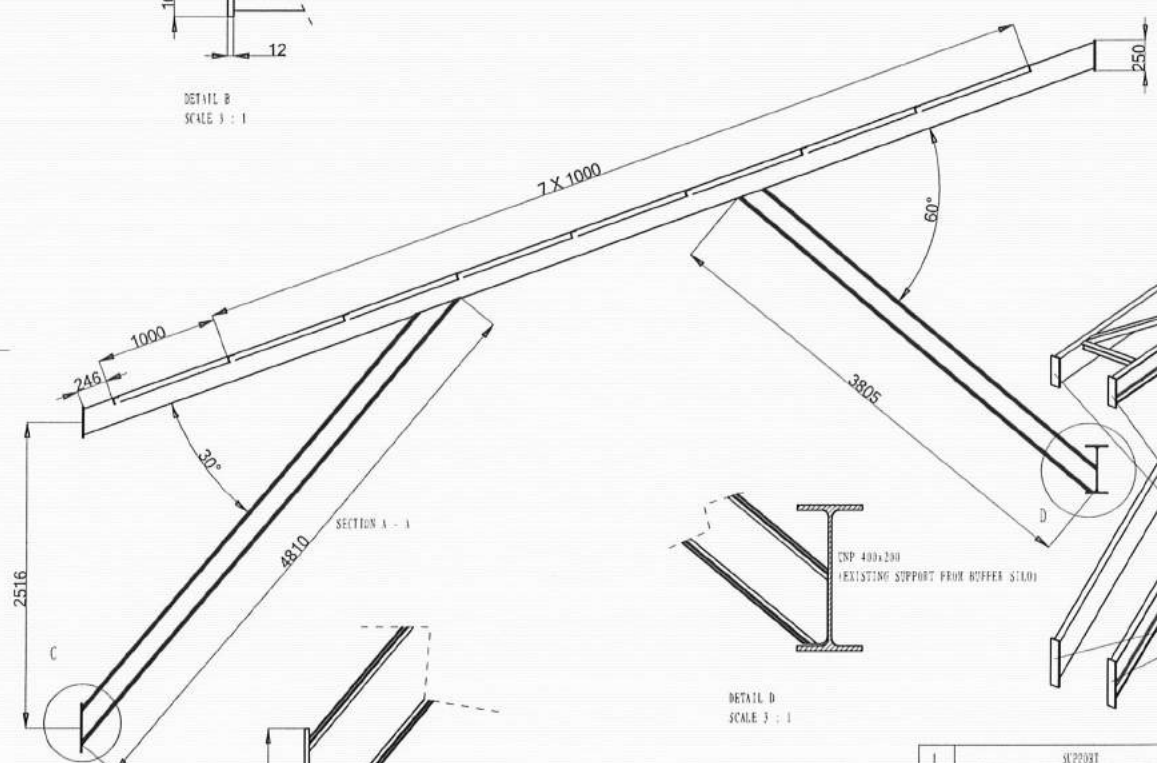
POS	DESCRIPTION	QTY	MATERIAL	REMARKS
FILE DIR:				
DRAWING NO. 2018-DWG-RM-BLC-000			SCALE: 1:1	ASSY NO.
MECHANICAL ENGINEERING SECTION				
TITLE: BELT CONVEYOR 09		DATE: 24-FEB-2022		
ADDITIONAL SUPPORT OF BELT CONVEYOR 09				
PT SCG LIGHTWEIGHT CONCRETE INDONESIA				
A4			2018-DWG-RMA-BLC-000 A	



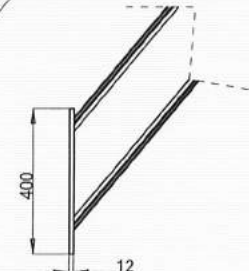
NO	QUANTITY	DESCRIPTION	UNIT	MATERIAL	REMARKS
FILE DIR:					
DIM: mm		SCALE: 1:1	DIM: mm		ASSY NO.
MECHANICAL ENGINEERING SECTION					
NO	NAME	DATE	TITLE		
DRWN	SITIT	21-FEB-2023	BELT CONVEYOR		
DESIGN	-		ADDITIONAL SUPPORT 01		
CHECK	ISEP				
APPY	WGI				
CANCEL DWG NO.					
REF DWG NO.					
		PT. SCS LIGHTWEIGHT CONCRETE INDONESIA		A4	2018-DWG-RMA-BLC-000-A-1
				REV NO.	PAGE
				2	2



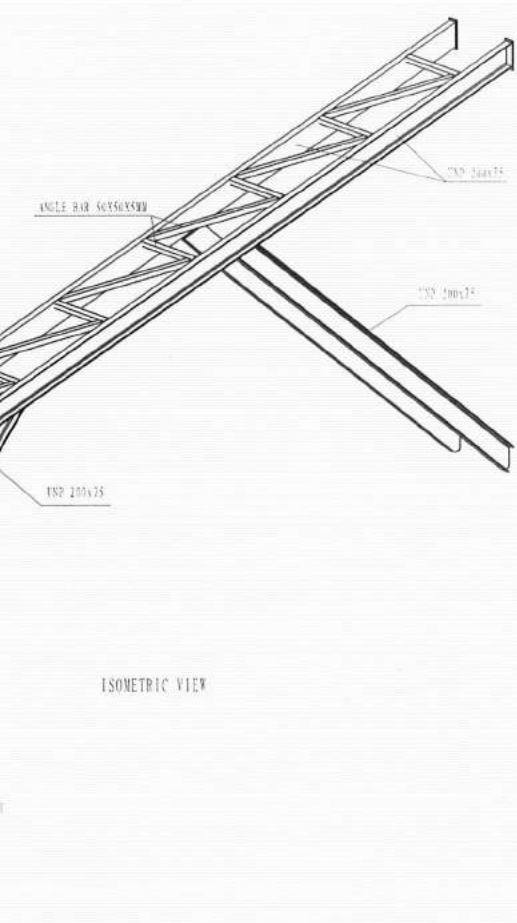
DETAIL B
SCALE 3 : 1



DETAIL D
SCALE 3 : 1

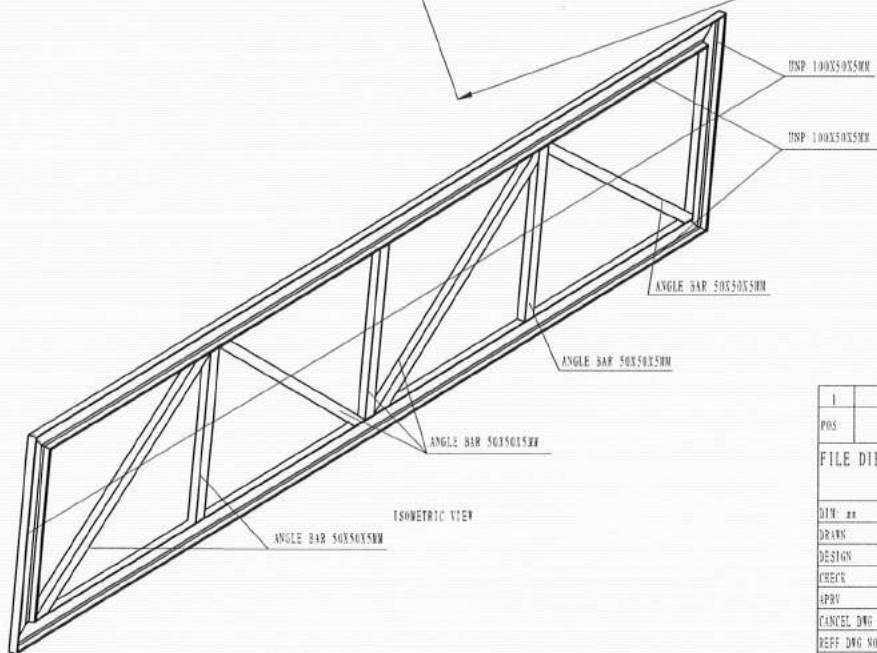
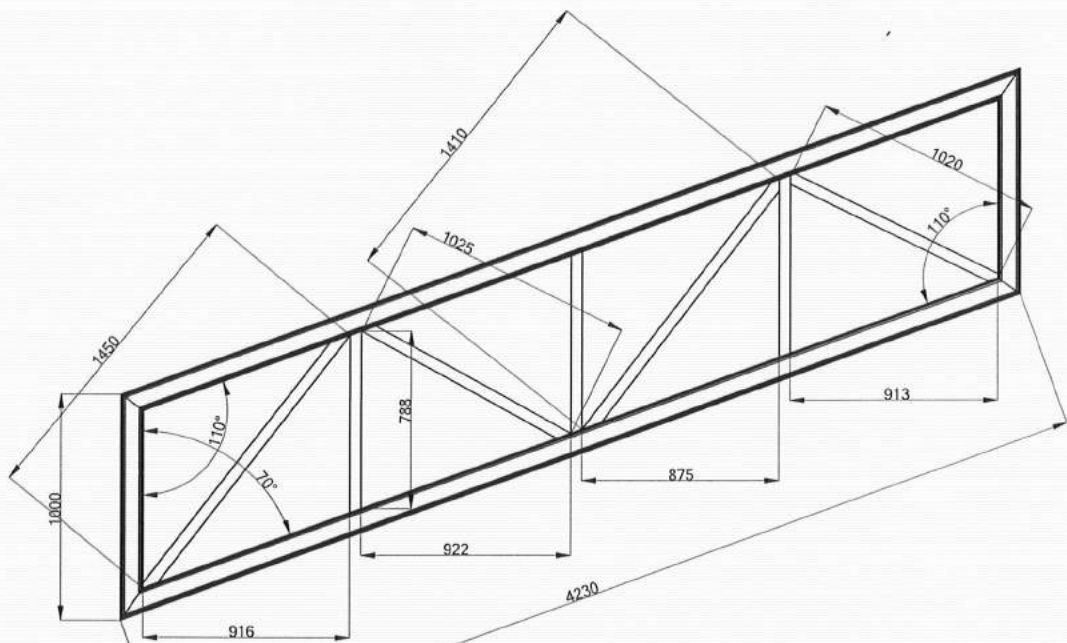


DETAIL C
SCALE 3 : 1

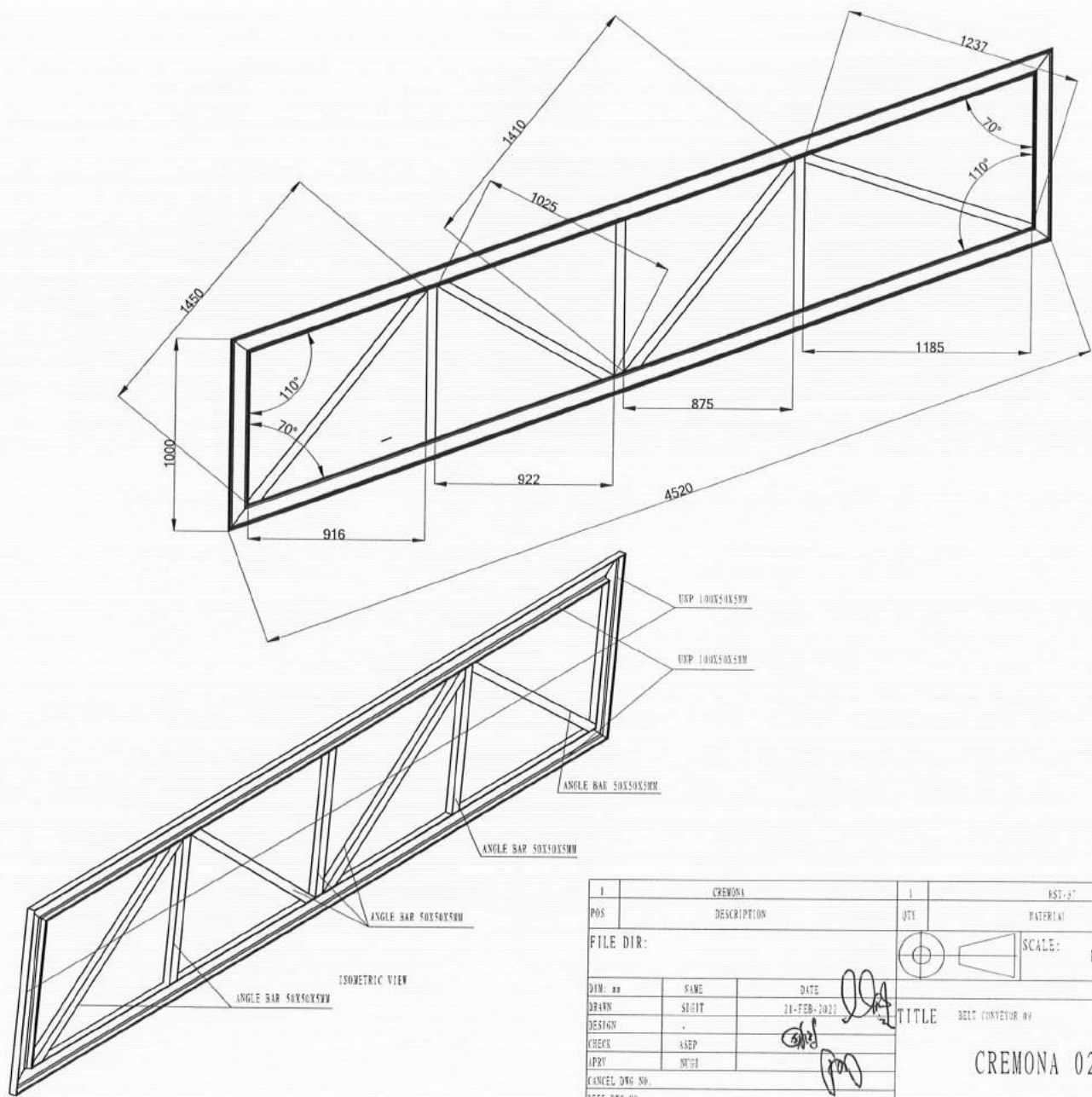


ISOMETRIC VIEW

SUPPORT			MATERIAL		REF-REF	
POS	DESCRIPTION	QTY	SCALE:	DIM: mm	ASSY NO.	
FILE DIR:				1:1		
DIV: en	NAME	DATE		MECHANICAL ENGINEERING SECTION		
DRAWN	SIGHT	24-FEB-2022	TITLE BELT CONVEYOR			
DESIGN	ASBP		<h2 style="margin: 0;">ADDITIONAL SUPPORT 02</h2>			
CHECK	INTG					
APPV						
CANCEL DWG NO.						
REF DWG NO.					REV NO.	PAGE
PT SCG LIGHTWEIGHT CONCRETE INDONESIA			A4	2018-DWG-RMA-BLC-000 A- 2		3



CREMONA		EST-01		REVISION	
POS	DESCRIPTION	QTY	MATERIAL	REVISION	
FILE DIR:		SCALE: 1:1		DIM: mm	
ASSY NO.		MECHANICAL ENGINEERING SECTION			
DWG. NO.	NAME	DATE	TITLE		
DRAWN	SIGIT	21-FEB-2022	BELT CONTAINER A		
DESIGN	-		CREMONA 01		
CHECK	ASEP				
APPV	NGUI				
CANCEL DWG NO.					
DIFF DWG NO.					
PT SCG LIGHTWEIGHT CONCRETE INDONESIA		A4	2018-DWG-RMA-BLC-000 A- 3		4



CREMONA		EST-67	
POS	DESCRIPTION	QTY	MATERIAL
FILE DIR:		SCALE: 1:1	ASSY NO.
DWG. NO.	SANG	DATE	MECHANICAL ENGINEERING SECTION
DRAWN	SIGIT	20-FEB-2022	TITLE
DESIGN			BELT CONVEYOR W/
CHECK	ASAP		CREMONA 02
APPROV	MUJI		
CANCEL DWG. NO.			
DIFF DWG. NO.			
PT SCG LIGHTWEIGHT CONCRETE INDONESIA		A4	2018-DWG-RMA-BLC-000 A - 4