

Display Purchase Req. 1021011847

Document Overview On Personal Setting

2010 PR frm MRP/CBP 1021011847

Header

Requisn Date	St..	Item	A	I	M	Short Text	Quantity	Unit	Delivery Date	P...	Requisitioner	Matl Group	Plant	Stor. Loc.	Purch. Grp	Total Value
11.04.2022		10 K				Elbow PVC 1 inch	10	PC	18.04.2022	1	Taufik	Supplies	PT SLCI		DBA	100,000
11.04.2022		20 K				Sock Drat 1 inch PVC	7	PC	18.04.2022	1	Taufik	Supplies	PT SLCI		DBA	105,000
11.04.2022		30 K				Double Nepel 3/4 inch galvanize	2	PC	18.04.2022	1	Taufik	Supplies	PT SLCI		DBA	30,000
11.04.2022		40 K				Reducer Sock 1 x 3/4 inch galvanize	3	PC	18.04.2022	1	Taufik	Supplies	PT SLCI		DBA	30,000
11.04.2022		50 K				Sock drat 1-1/4 inch	3	PC	18.04.2022	1	Taufik	Supplies	PT SLCI		DBA	30,000
11.04.2022		60 K				Ball Valve PVC 1-1/4 inch	1	PC	18.04.2022	1	Taufik	Supplies	PT SLCI		DBA	60,000
11.04.2022		70 K				Bulkhead Fitting 1-1/2 inch	1	PC	18.04.2022	1	Taufik	Supplies	PT SLCI		DBA	60,000
11.04.2022		80 K				PVC Pipe 1 Inch	5	PC	18.04.2022	1	Taufik	Supplies	PT SLCI		DBA	350,000

Item [80] PVC Pipe 1 Inch

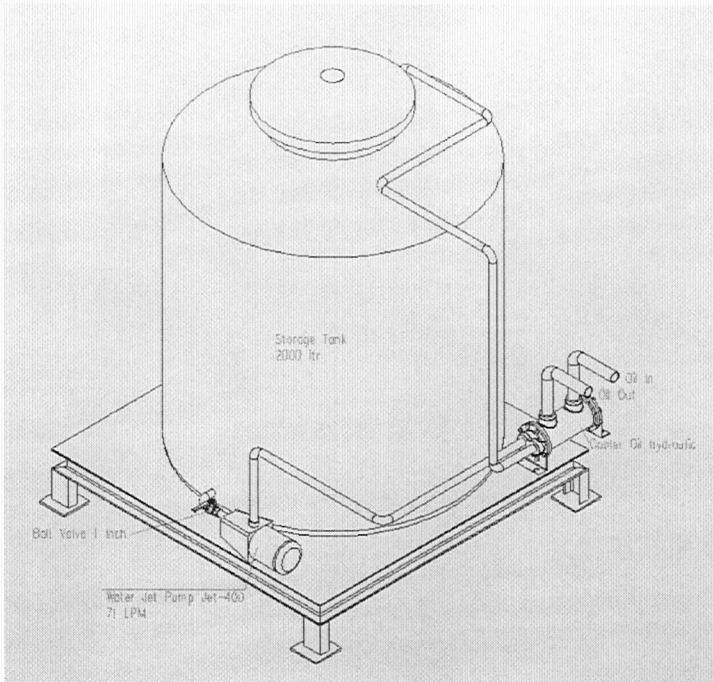
- Material Data
- Quantities/Dates
- Valuation
- Account Assignment
- Source of Supply
- Status
- Contact Person
- Texts
- Delivery Address
- Spec2000 / SC

- Item Texts
- Item text
- Item note
- Delivery text
- Material PO text

Purpose :
 Addition an independent water coller tank for Hydraulic Tank Tilting 2

 GL : 523072
 CC : 2011-10000

Independent Water Cooler Tank for Hydraulic Power Pack Tilting 2

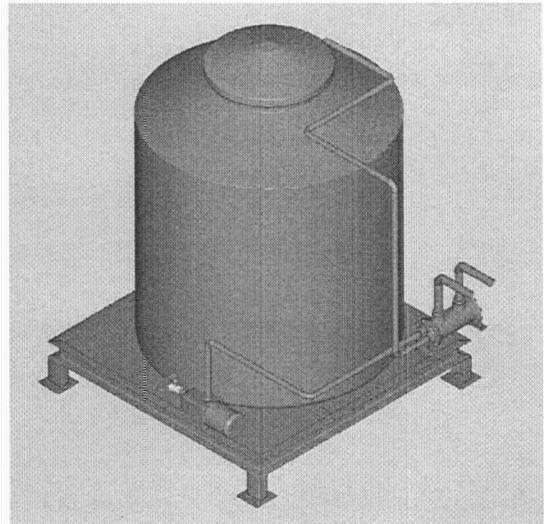


1. Purpose :

- Controlling water quality to prevent
 - Scaling inside HE
 - Corrosion
 - Water leak into oil chamber
 - Performance drop
- Extend lifetime of HE

2. Bill of Material :

No	Items	Qty	Price/unit	Amount
1	Elbow PVC 1 inch	10	Rp10,000	Rp100,000
2	Sock Drat 1 inch PVC	7	Rp15,000	Rp105,000
3	Double Nipple 3/4 inch galvanize	2	Rp15,000	Rp30,000
4	Reducer 1 x 3/4 inch galvanize	3	Rp10,000	Rp30,000
5	Sock drat 1-1/4 inch	3	Rp10,000	Rp30,000
6	Ball Valve PVC 1-1/4 inch	1	Rp60,000	Rp60,000
7	Bulkhead Fitting 1-1/2 inch	1	Rp60,000	Rp60,000
8	PVC Pipe 1 inch	5	Rp70,000	Rp350,000
9	Steel Plate 6mm	1	Available	-
10	UNP 200	1.5	Available	-
11	Water Tank 200L	1	Available	-
12	Water Jet Pump	1	Available	-
			Total	Rp765,000



[Handwritten signature]