

Display Purchase Req. 1021011904

Document Overview On Personal Setting

2010 PR frm MRP/CBP

Header

Default Values

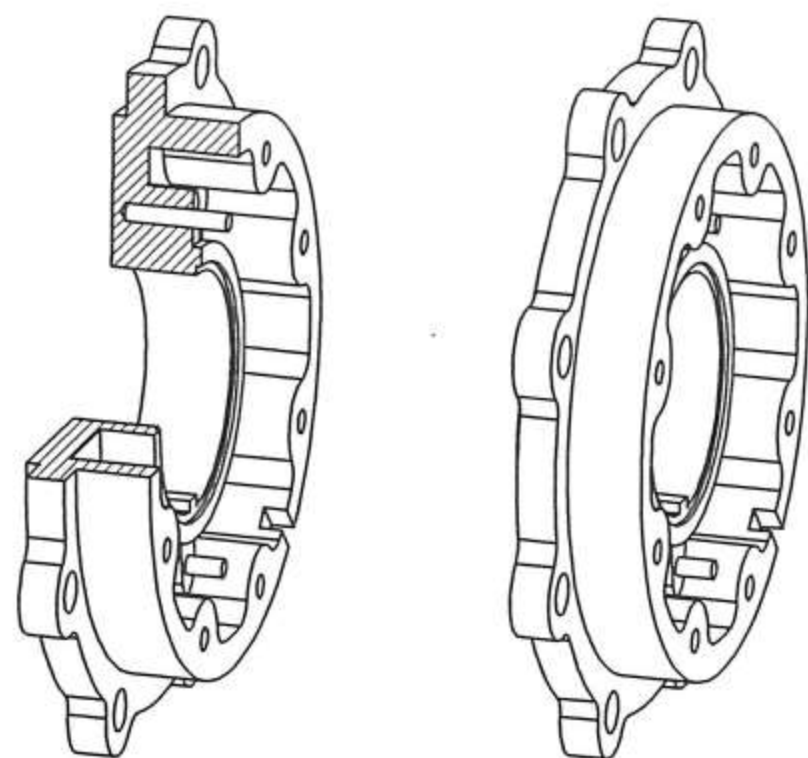
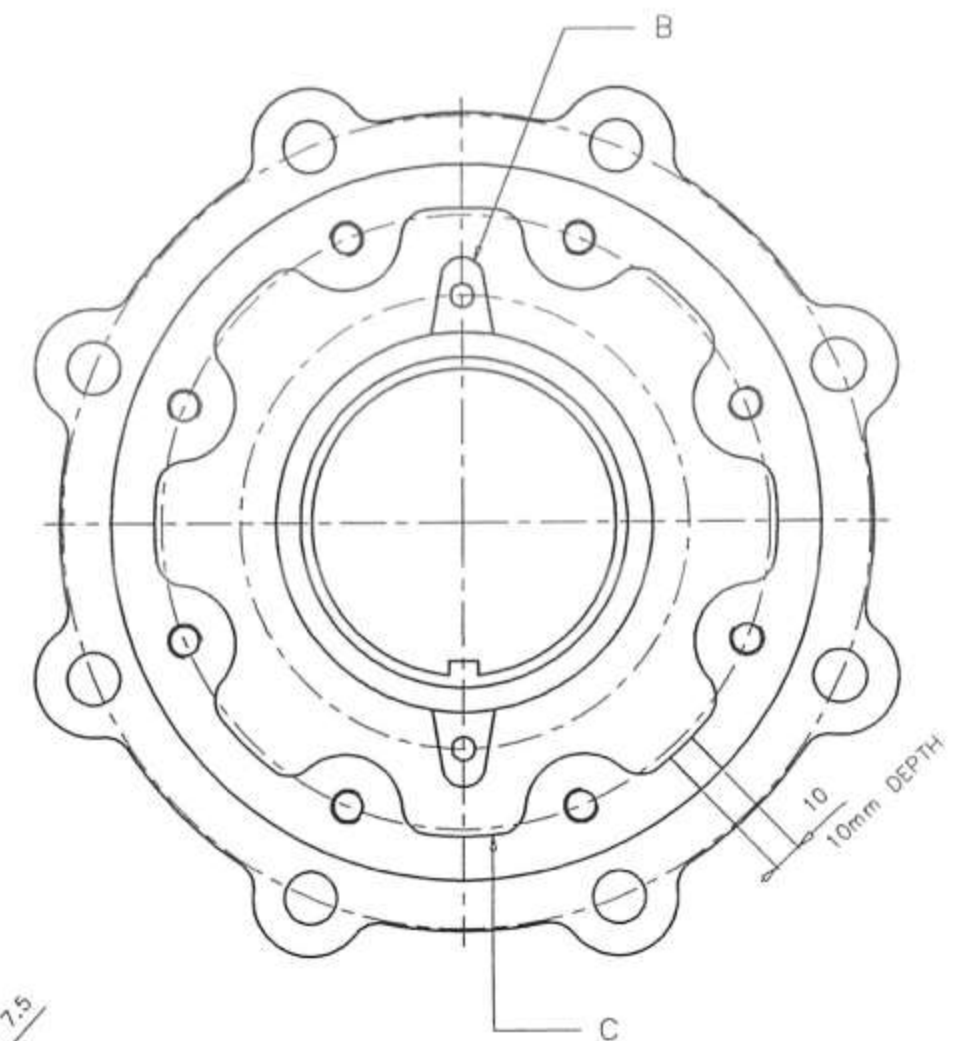
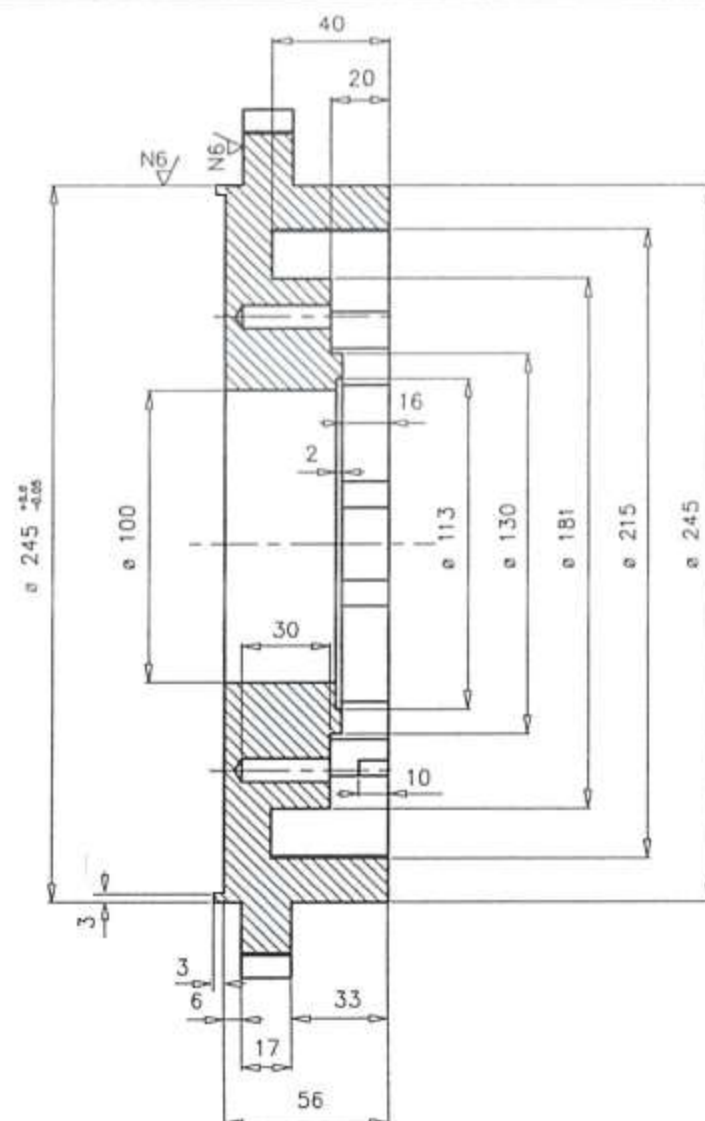
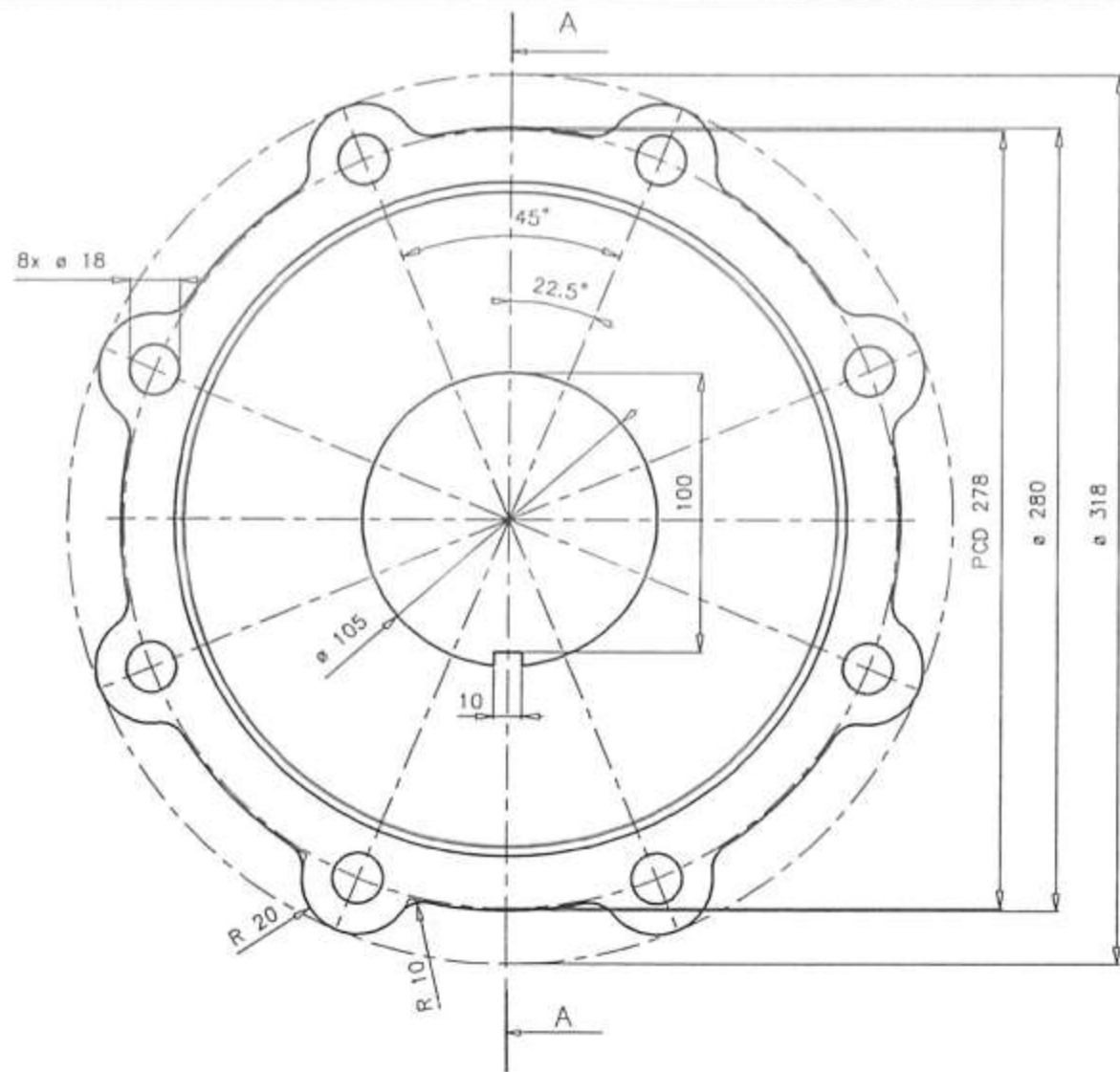
Requisn Date	St...	Item	A	I	M	Short Text	Quantity	Unit	Delivery Date	P...	Requisitioner	Matl Group	Plant	Stor. Loc.	PGr	Total Value
09.05.2022		10 K				Flange Housing Pump TV 61-100 (see dwg)	1	PC	30.05.2022	1	Taufik	Supplies	PT SLCI		DBA	12,500,000

Item

Account Assignment | Source of Supply | Status | Contact Person | **Texts** | Delivery Address | Spec2000 / SC

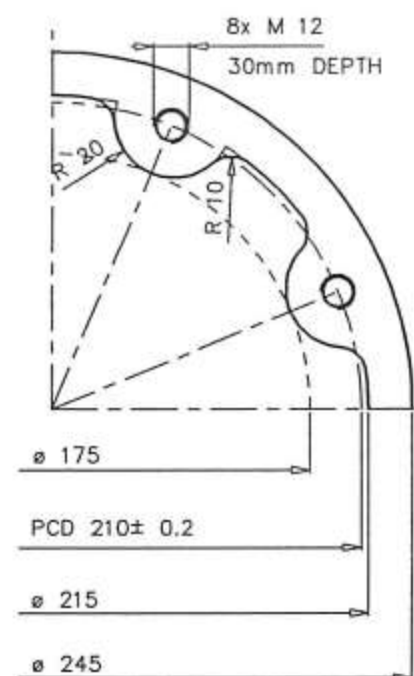
Item Texts	A...	
• Item text	<input checked="" type="checkbox"/>	Purpose : Replacement part of slurry pump (TV 61-100) to provide ready to use unit for RS Tank transfer pump. Last installed part : Feb 2018 est. life time : 19200H [10] 2012-DWG-BMP-TK-01-100-002-B GL : 523072 CC : 2011-10000
• Item note	<input type="checkbox"/>	
• Delivery text	<input type="checkbox"/>	
• Material PO text	<input type="checkbox"/>	

Continuous-tex...

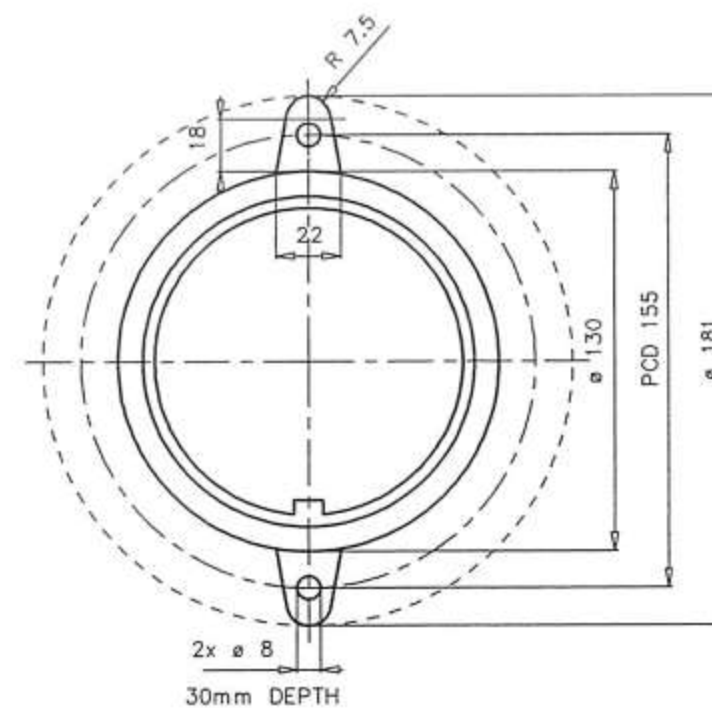


ISOMETRIC VIEW

SECTION A-A



DETAIL C



DETAIL B

REMARK

WEIGHT = 12.5 kg

Pos	Description	Qty	Material	Remark
2	PIN ø8mmx45mm	2	S 45 C	-
1	FLANGE	1	27% CHROME WHITE IRON	-

Pos	Description	Qty	Material	Remark
Client		Scale : -	Assy Dwg No : 2012-DWG-BMP-TK-01-100-002	
Dim : mm	Name		PUMP TV 61-100 ASSY	
Drawn :	TAUFIQ	Date : 15-12-2017		
Designed :	AVAILABLE	Checked : YESSIKO		
Checked :	YESSIKO	Approved : RULLY		
Group No:		PT.SCG LIGHTWEIGHT CONCRETE INDONESIA		
A4		2012-DWG-BMP-TK-01-100-002-B	Rev No : -	Page 5

FLANGE



PT. CIPTA PRESISI MANDIRI

PART SPECIALIST, DIES, GEAR, GENERAL CONTRACTOR & ENGINEERING SERVICE

Komplek Pergudangan Kamal Indah

BLOK E no.8 Kamal - Kalideres, Jakarta Barat

Telp. : (021) 2255 7468, 5595 9153 Fax. (021) 5595 9153

Mobile : 0812 1978 1011

E-mail : cpmindonesia@yahoo.co.id

Jakarta 15 Maret 2022

Nomor : 117/CPM/III/22/SLCI/009

Hal : Penawaran Harga

Kepada :

PT. SCG Lightweight Concrete Indonesia

Jl.Surya Tekno Kav. I-TI-3 Surya Cipta

Karawang, Jawa Barat 41361

Up. Bp. Yoki Radiansyah

Telp. (0267) 8610362

Dengan hormat,

Bersama ini kami sampaikan penawaran harga untuk pembuatan part standard sesuai dengan gambar yang kami terima, adalah sebagai berikut: -

No.	Part Name	Mtrl	Qty	Harga	Jumlah
1	Flange Pump TV 61-100 Dia 318 x 56	FC + S45C	1 Pcs	12,500,000	Rp 12,500,000
				TOTAL	Rp 12,500,000

* Harga diatas belum termasuk PPN 10 %

Keterangan:

- Delivery : ± 2 - 4 Minggu setelah PO diterima
- Pembayaran : 2 Minggu setelah barang diterima
- Penawaran ini berlaku selama 1 minggu

Demikian surat penawaran ini kami buat. Atas perhatian dan kerjasamanya kami ucapkan terima kasih.

Hormat kami,

