

# Display Purchase Req. 1021012000

Document Overview On Personal Setting

2010 PR frm MRP/CBP 1021012000

## Header

Default Values

Requisn Date	Status	Item A I	Mater..	Short Text	Qua...	Unit	Delivery Date	Per	Requisnr.	Material Group	Plant	Stor. Loc.	PGr	Total Value
30.05.2022		10 K		Bushing Cutting Board Movement (see dwg)	4	PC	02.08.2022	1	Taufik	Supplies	PT SLCI		DBA	10,400,000

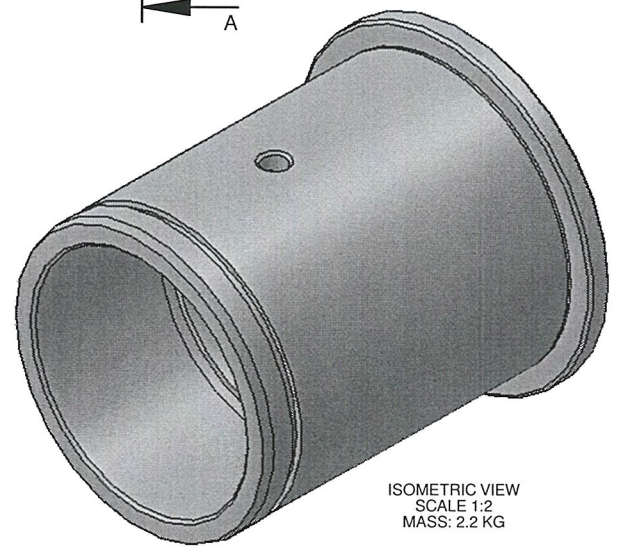
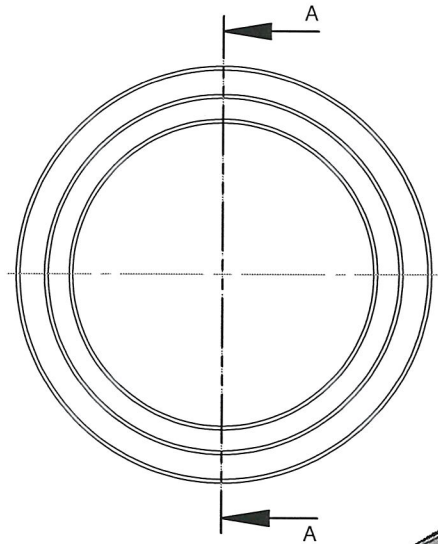
Item [ 10 ] Bushing Cutting Board Movement (see d...

Material Data | Quantities/Dates | Valuation | Account Assignment | Source of Supply | Status | Contact Person | Texts | Delivery Address | Spec2000 / SC

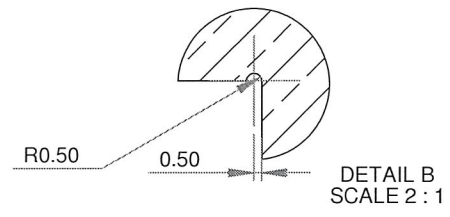
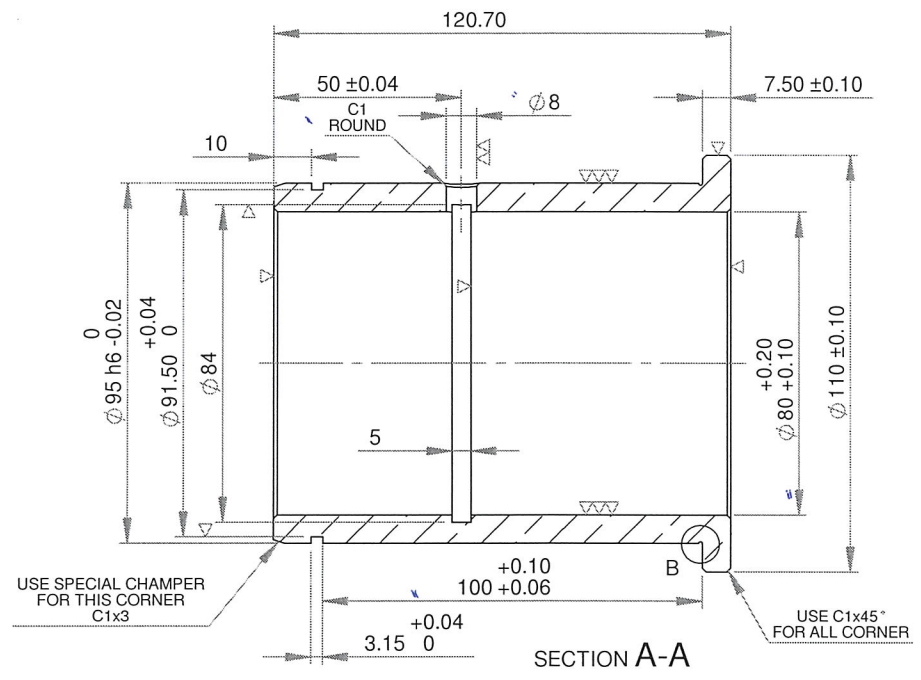
- Item Texts
- Item text
- Item note
- Delivery text
- Material PO text

A... Purpose :  
Replacement bushing CB movement Tilting 1, last install Sep 2021.  
[10] 2012-DWG-CP-M-000514-025  
  
GL : 523072  
CC : 2011-10000

Continuous-tex...



ISOMETRIC VIEW  
SCALE 1:2  
MASS: 2.2 KG



\*\* INCOMING PART WILL BE CHECK. IT WILL RETURN IF NOT PASS \*\*

POLISHING	GRINDING	NORMAL MACHINING (SMOOTH SURFACE)	NORMAL MACHINING (ROUGH SURFACE)
▽▽▽	▽▽	▽	▽

1	BUSHING	1	BRONZE	
POS	DESCRIPTION	QTY	MATERIAL	REMARKS
FILE DIR: \\192.168.4.15\mechanical\Draft Nuryana\Proyek Pak Arifin\Bushing tilling\		SCALE: 1:2		ASSY NO.
DIM: mm		MECHANICAL ENGINEERING SECTION		
DRAWN	NAME	DATE	TITLE CUTTING PLAN - TILTING	
DESIGN	B.ARIFIN	16-Oct-18	<h2 style="text-align: center;">BUSHING CUTTING BOARD MOVEMENT</h2>	
CHECK	YESSIKO			
APRV	M. NUGRAHA			
CANCEL DWG NO.				
REF DWG NO.				