

Display Purchase Req. 1021012002

Document Overview On Personal Setting

2010 PR frm MRP/CBP 1021012002

Header

Default Values

Requisn Date	Status	Item A I	Mater...	Short Text	Qua...	Unit	Delivery Date	Per	Requisnr.	Material Group	Plant	Stor. Loc.	PGr	Total Value
30.05.2022		10 K		Bushing Shaft Cross Cutter (see dwg)	4	PC	01.08.2022	1	Taufik	Supplies	PT SLCI		DBA	3,600,000

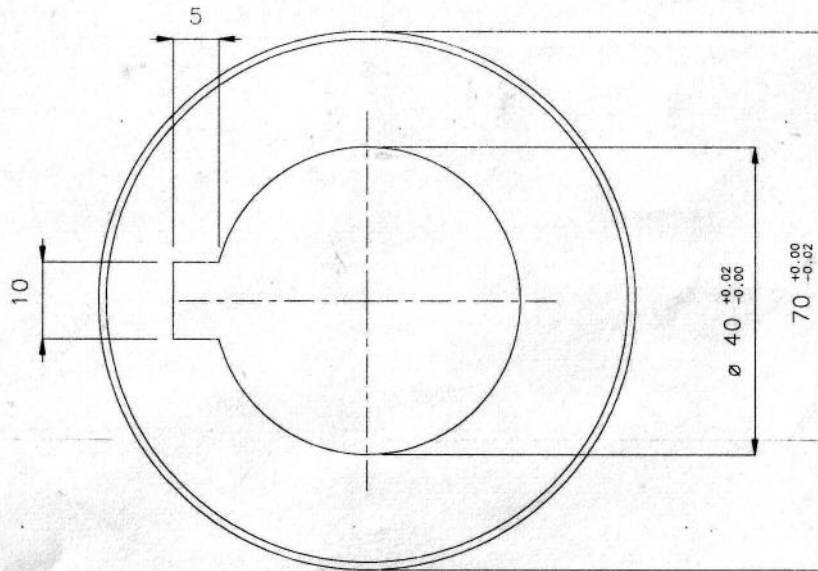
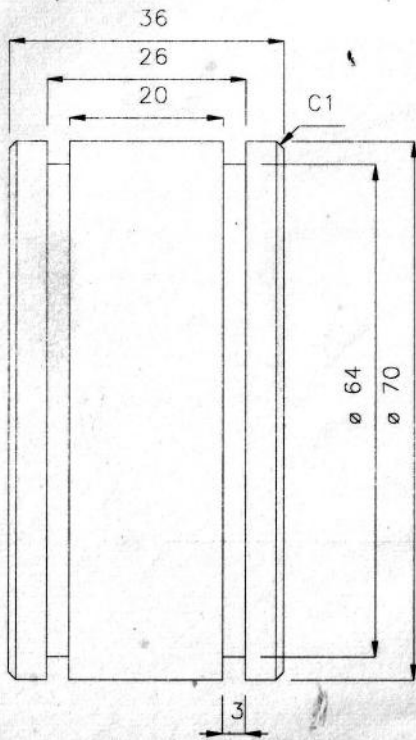
Item [10] Bushing Shaft Cross Cutter (see dwg)

Material Data | Quantities/Dates | Valuation | Account Assignment | Source of Supply | Status | Contact Person | Texts | Delivery Address | Spec2000 / SC

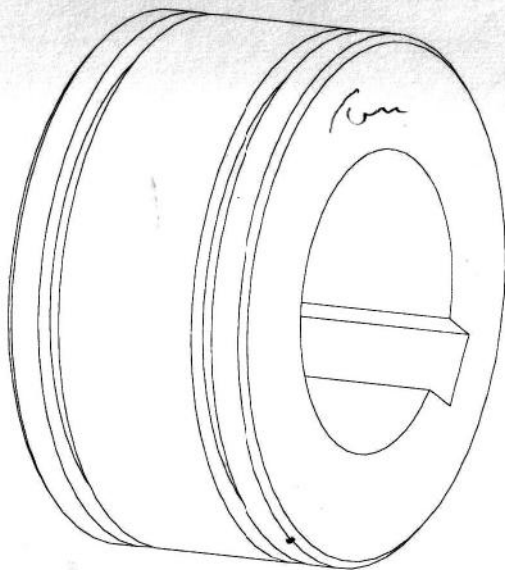
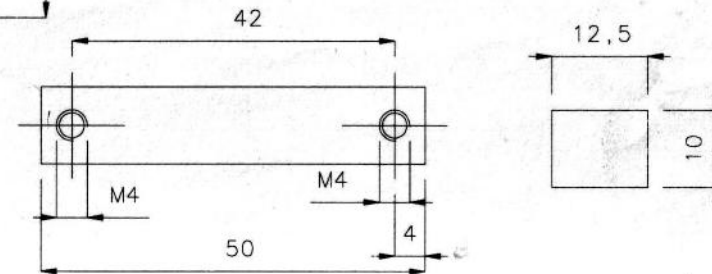
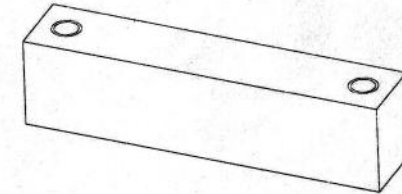
- Item Texts A...
- Item text
 - Item note
 - Delivery text
 - Material PO text

Purpose :
[10] 2012-DWG-WKB-CC B-003, Shaft Cross Cutter, last replace Jan 2021.
GL : 523072
CC : 2011-10000

Continuous-tex...



Spi (keys)



Busing

2	Keys lock 10 x 12.5 x 50mm	1	VCN 150	
1	Busing	1	Bronce ✓	
No	Description	Qty	Material	Remarks
DIR/File:			Scale	Assy No.
DIM : mm	Name	Date	<div style="text-align: center;"> Cross Cutter Busing </div>	
Drawn	Sigt	23 Sept 2015		
Designed				
Checked				
Approved				
DIM : mm				
PT.SCG Lightweight concrete Indonesia A4		2012-DWG-WKB-CC B-003	Rev No.	Page