

Display Purchase Req. 1021012003

Document Overview On Personal Setting

2010 PR frm MRP/CBP 1021012003

Header

Default Values

Requisn Date	Status	Item	A	I	Mater...	Short Text	Qua...	Unit	Delivery Date	Per	Requisnr.	Material Group	Plant	Stor. Loc.	PGr	Total Value
30.05.2022		10	K			Wheel Car Table (see dwg)	2	PC	15.08.2022	1	Taufik	Supplies	PT SLCI		DBA	7,200,000

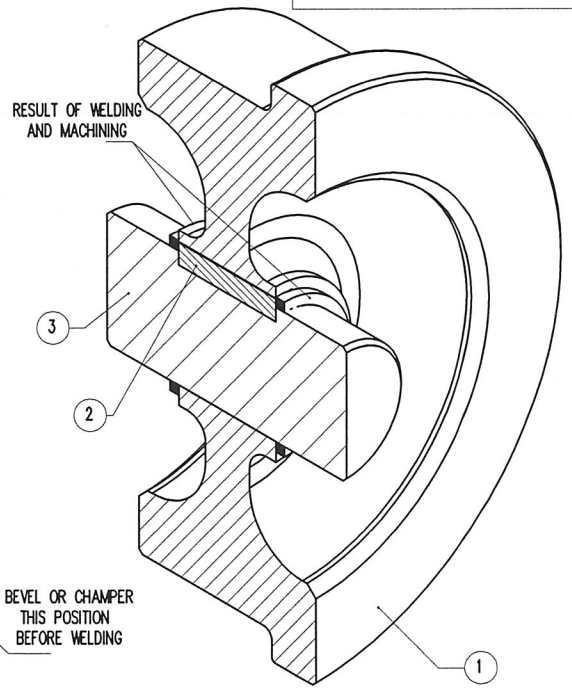
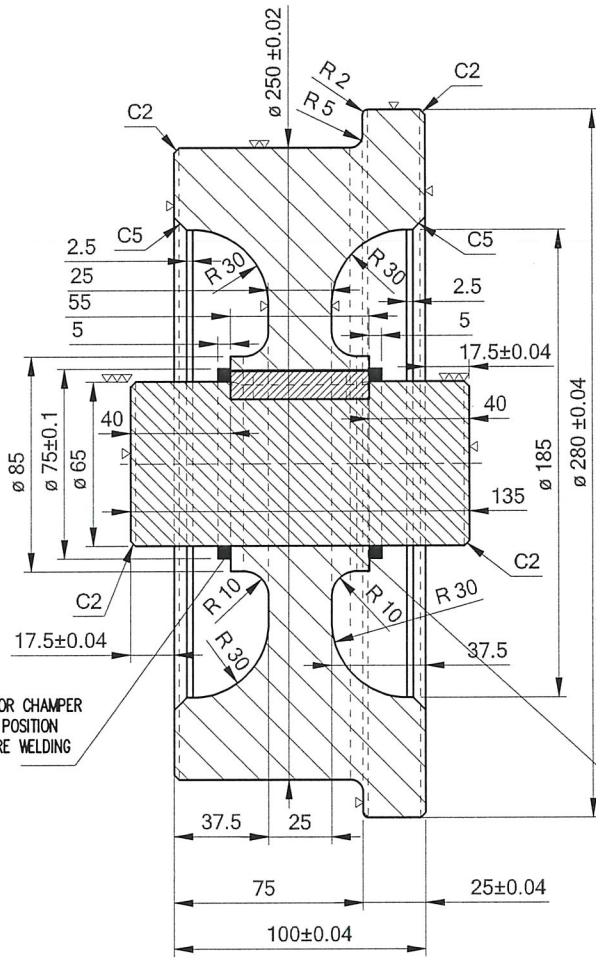
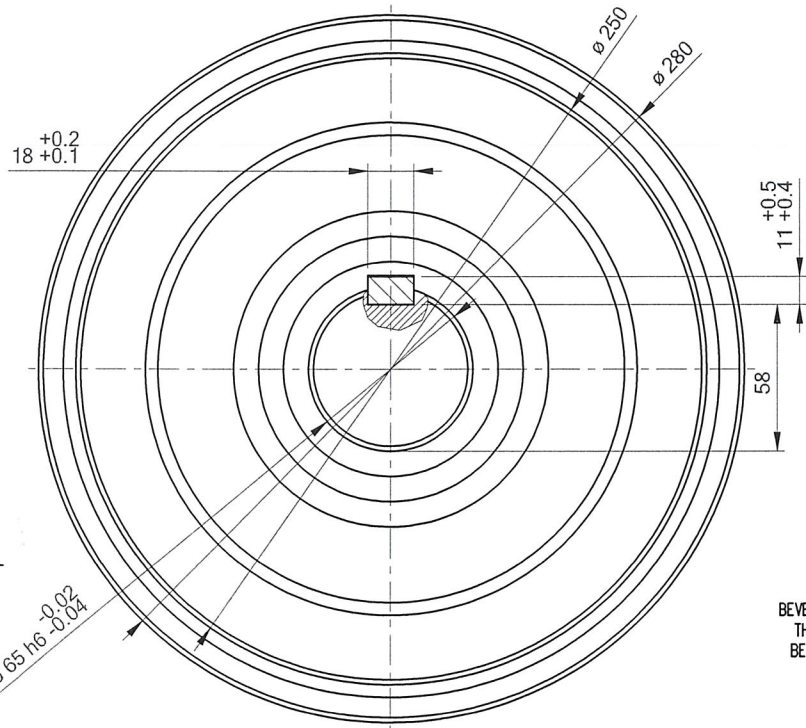
Item [10] Wheel Car Table (see dwg)

Material Data | Quantities/Dates | Valuation | Account Assignment | Source of Supply | Status | Contact Person | Texts | Delivery Address | Spec2000 / SC

- Item Texts
- Item text
 - Item note
 - Delivery text
 - Material PO text

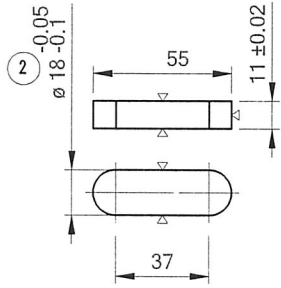
A... Purpose :
[10] Wheel Car Table (2012-DWG-GSM-M-PL-000)
GL : 523072
CC : 2011-10000

Continuous-tex...



*NB= ESTIMATION WEIGHT: 30 KG

*NB= PLEASE WELDING USE
Welding Electrode Goldweld 785M, 2.6mm
OR COMPATIBLE



** INCOMING PART WILL BE CHECK. IT WILL RETURN IF NOT PASS **

POLISHING	GRINDING	NORMAL MACHINING (SMOOTH SURFACE)	NORMAL MACHINING (ROUGH SURFACE)
▽▽▽	▽▽	▽	▽

3	SHAFT	1	S-45C	-
2	KEY SHAFT	1	S-45C	-
1	MAIN WHEEL	1	FCD-700	30-33 HRC
POS	DESCRIPTION	QTY	MATERIAL	REMARKS

FILE DIR: _	SCALE: 1:3	DIM: mm	ASSY NO.
-------------	------------	---------	----------

DIM: mm	NAME	DATE	SIGN
DRAWN	ENDEN	03/AUG/20	<i>[Signature]</i>
DESIGN	AVAILABLE		
CHECK	YESSIKO		
APRV	MANUGRAHA		

MECHANICAL ENGINEERING SECTION
TITLE GSM - CAR TABLE
WHEEL CAR TABLE