

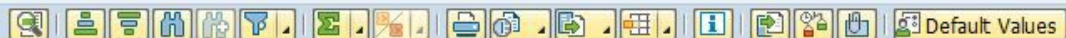



Display Purchase Req. 1021012489

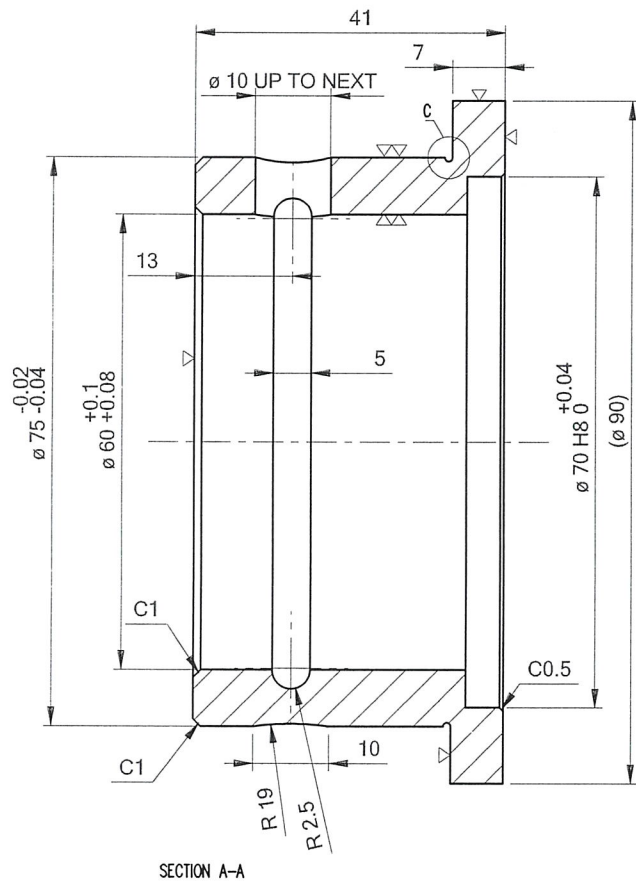
Document Overview On      Personal Setting

 2010 PR frm MRP/CBP  1021012489

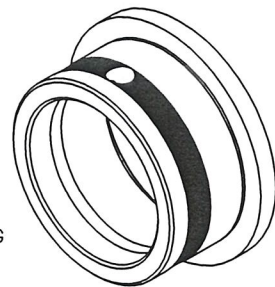
 Header



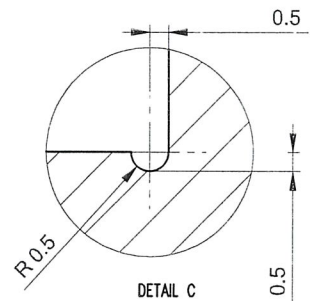
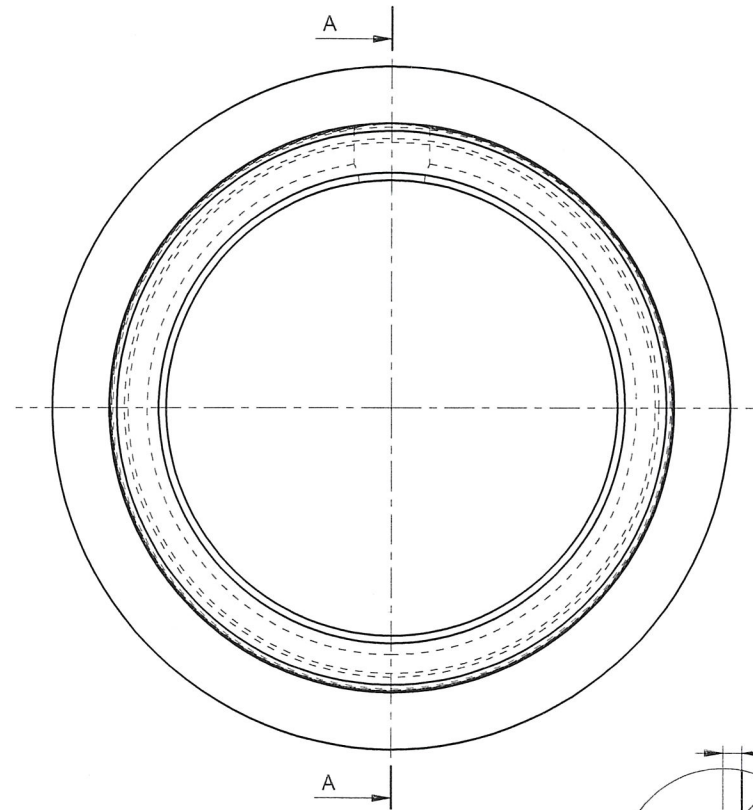
	Requisn Date	Status	Item	A	I	Material	Short Text	Quantity	Unit	Delivery Date	Per	Requisnr.	Material Group	Plant	Stor. Loc.	PGr	Total Value
	13.09.2022		10	K			Bushing Cutting Board Arrest ...	4	PC	26.10.2022	1	Taufik	Supplies	PT SLCI		DBA	3,800,000
	13.09.20...		20	K			Bushing Cutting Board Arrest ...	4	PC	26.10.2022	1	Taufik	Supplies	PT SLCI		DBA	6,800,000



SECTION A-A



ISOMETRIC VIEW
*NB= ESTIMATION WEIGHT: 0.8 KG



DETAIL C

** INCOMING PART WILL BE CHECK. IT WILL RETURN IF NOT PASS **

POLISHING	GRINDING	NORMAL MACHINING (SMOOTH SURFACE)	NORMAL MACHINING (ROUGH SURFACE)
▽▽▽▽	▽▽	▽▽	▽

1	BUSHING INNER	1	BRONZE	-
POS	DESCRIPTION	QTY	MATERIAL	REMARKS
FILE DIR: _		SCALE: 1:1		ASSY NO.
DIM: mm		MECHANICAL ENGINEERING SECTION		
DRAWN	ENDEN	DATE	TITLE CUTTING PLAN - TILLING	
DESIGN	USER			
CHECK	YESSIKO			
APRV	MANURAHA			
() = GENERAL TOLERANSI $\pm 0.2\% \times$ DIMENSION REFF DWG NO. 2012-DWG-CP-M-00514-031				
			BUSHING CUTTING BOARD ARREST INNER	



PT SCG LIGHTWEIGHT CONCRETE INDONESIA

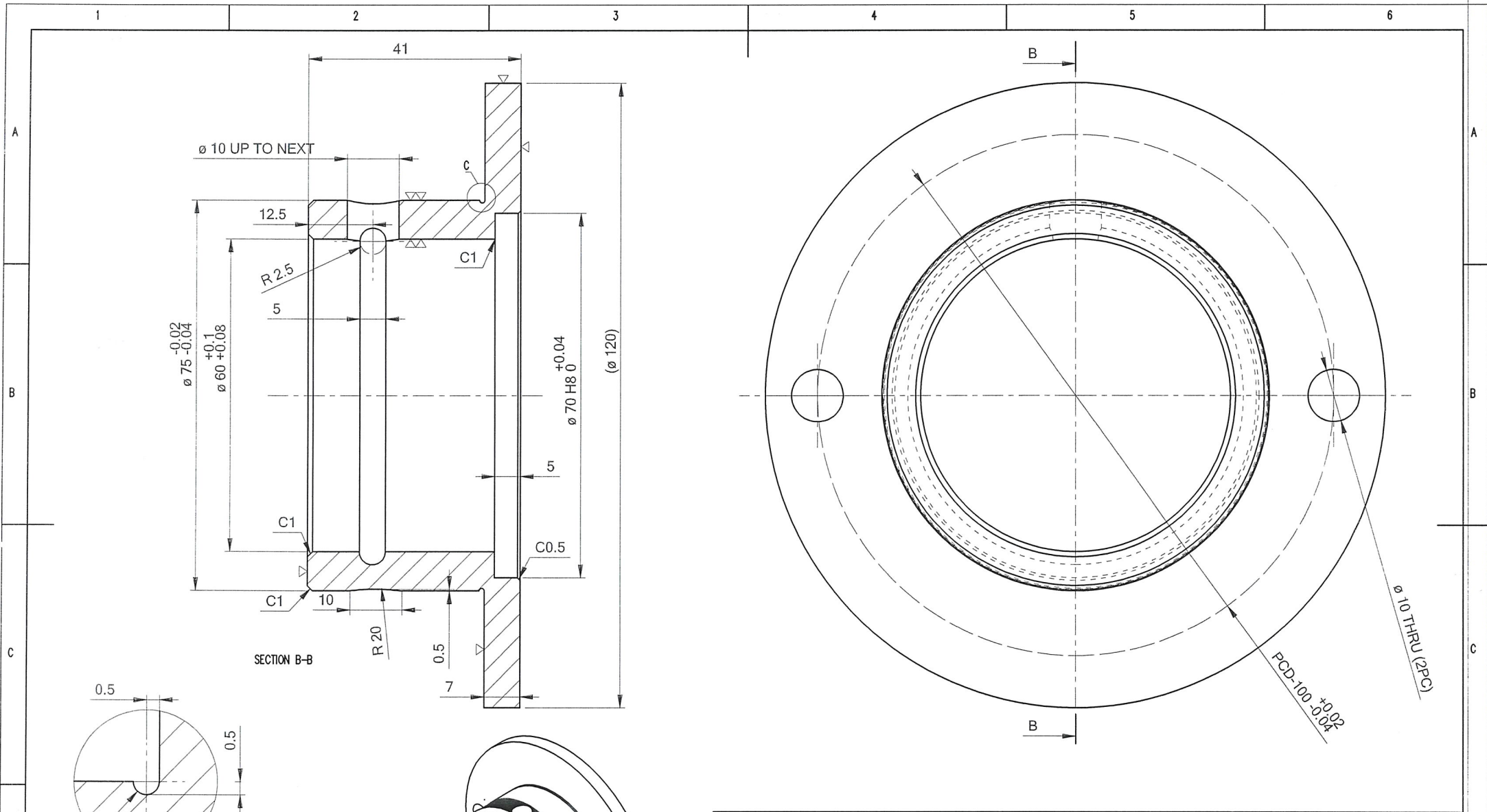
A4

2012-DWG-CP-M-00514-030-A

REV NO. PAGE

2

-



ISOMETRIC VIEW
*NB= ESTIMATION WEIGHT: 1.4 KG

*** INCOMING PART WILL BE CHECK. IT WILL RETURN IF NOT PASS ***

POLISHING	GRINDING	NORMAL MACHINING (SMOOTH SURFACE)	NORMAL MACHINING (ROUGH SURFACE)
▽▽▽	▽▽	▽	▽

1	BUSHING OUTER	1	BRONZE	-
POS	DESCRIPTION	QTY	MATERIAL	REMARKS
FILE DIR: -		SCALE: 1:1		ASSY NO.
DIM: mm		MECHANICAL ENGINEERING SECTION		
DRAWN	ENDEN	TITLE CUTTING PLAN - TILLING		
DESIGN	USER	BUSHING CUTTING BOARD ARREST OUTER		
CHECK	YESSIKO	REV NO. -		
APRV	MNUGRAHA	PAGE -		
(*) = GENERAL TOLERANSI ±0.2% x DIMENSION		REF DWG NO. 2012-DWG-CP-M-00514-031		
PT SCG LIGHTWEIGHT CONCRETE INDONESIA		A4	2012-DWG-CP-M-00514-031-A	