

# Display Purchase Req. 1021012657

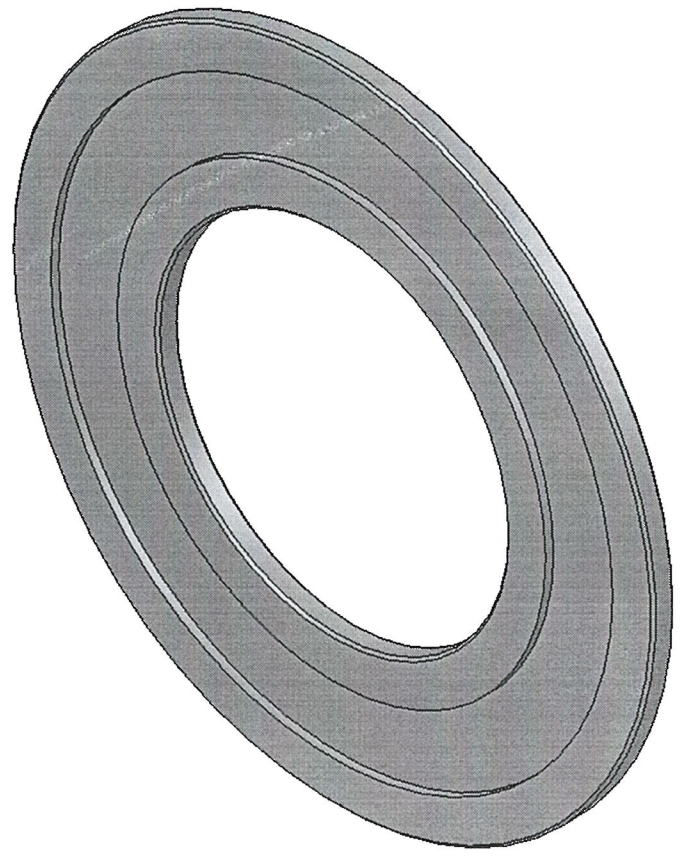
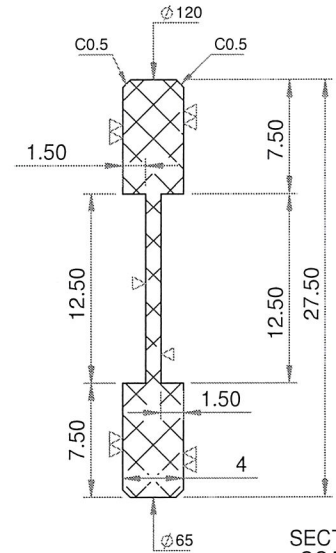
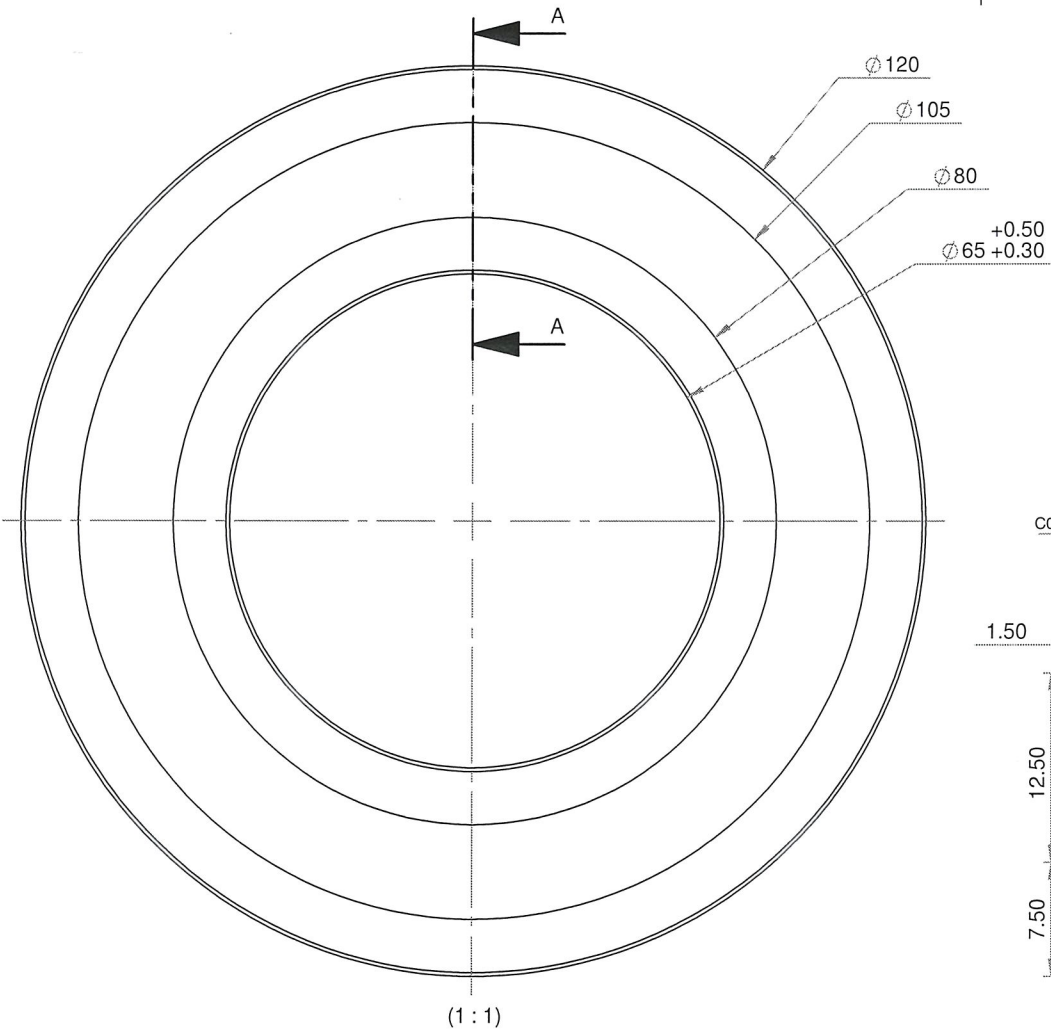
Document Overview On | Personal Setting

2010 PR frm MRP/CBP 1021012657

Header

Default Values

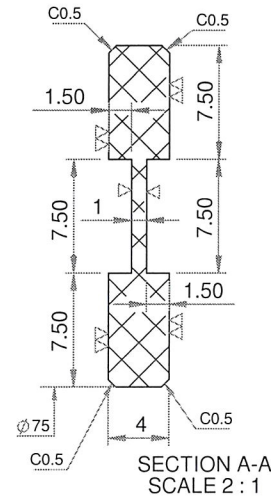
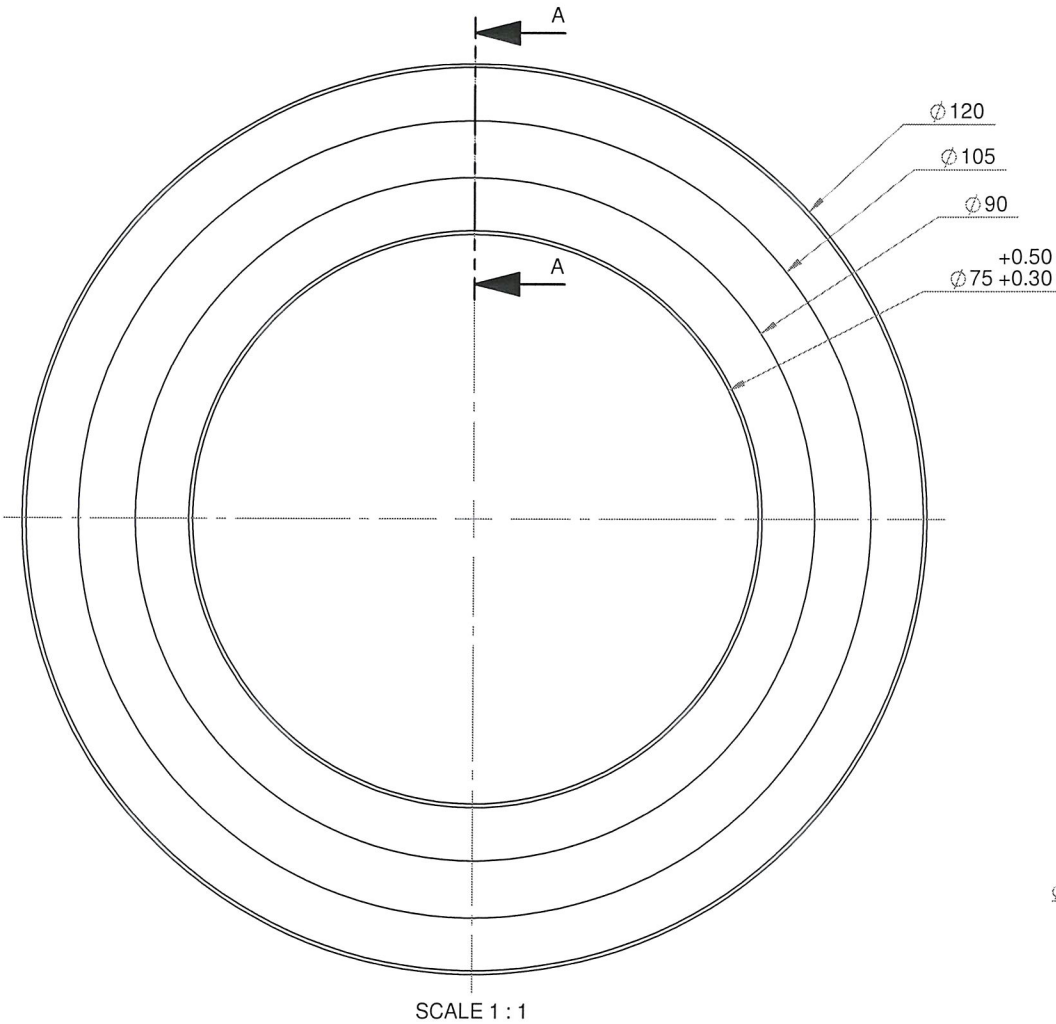
|  | Requisn Date | Status | Item | A | I | Material | Short Text                       | Quantity | Unit | Delivery Date | Per | Requisnr. | Material Group | Plant   | Stor. Loc. | PGr | Total Value |
|--|--------------|--------|------|---|---|----------|----------------------------------|----------|------|---------------|-----|-----------|----------------|---------|------------|-----|-------------|
|  | 18.10.2022   |        | 10   | K |   |          | Cover Bearing Trolley In (201... | 16       | PC   | 01.12.2022    | 1   | Taufik    | Supplies       | PT SLCI |            | DBA | 4,800,000   |
|  | 18.10.2022   |        | 20   | K |   |          | Cover Bearing Trolley Out (20... | 4        | PC   | 01.12.2022    | 1   | Taufik    | Supplies       | PT SLCI |            | DBA | 1,200,000   |



\*\* INCOMING PART WILL BE CHECK. IT WILL RETURN IF NOT PASS \*\*

|           |          |                                   |                                  |
|-----------|----------|-----------------------------------|----------------------------------|
| POLISHING | GRINDING | NORMAL MACHINING (SMOOTH SURFACE) | NORMAL MACHINING (ROUGH SURFACE) |
| ▽▽▽       | ▽▽       | ▽                                 | ▽                                |

|   |                    |                                    |            |         |
|---|--------------------|------------------------------------|------------|---------|
| 1   | COVER BEARING MINI | 1                                  | PTFE       |         |
| POS   | DESCRIPTION        | QTY                                | MATERIAL   | REMARKS |
| FILE DIR:<br>\\192.168.4.15\mechanical\Draft Nuryana\Proyek Pak Arifin\Cutting line\Cover Bearing |                    |                                    | SCALE: 1:5 | DIM: mm |
|   |                    | MECHANICAL ENGINEERING SECTION     |            |         |
|   |                    | TITLE CUTTING PLAN - TROLLEY WHEEL |            |         |
|   |                    | <b>COVER BEARING MINI</b>          |            |         |
|   |                    | ASSY NO.                           |            |         |
|   |                    | REFF DWG NO.                       |            |         |



\*\* INCOMING PART WILL BE CHECK. IT WILL RETURN IF NOT PASS \*\*

|           |          |                                   |                                  |
|-----------|----------|-----------------------------------|----------------------------------|
| POLISHING | GRINDING | NORMAL MACHINING (SMOOTH SURFACE) | NORMAL MACHINING (ROUGH SURFACE) |
| ▽▽▽       | ▽▽       | ▽                                 | ▽                                |

|   |                    |                                |             |         |
|---|--------------------|--------------------------------|-------------|---------|
| 1   | COVER BEARING MAXI | 1                              | PTFE        |         |
| POS   | DESCRIPTION        | QTY                            | MATERIAL    | REMARKS |
| FILE DIR: \\192.168.4.15\mechanical\Draft Nuryana\Proyek Pak Arifin\Cutting line\Cover Bearing\ |                    | SCALE: 1:5                     |             | DIM: mm |
| ASSY NO.  |                    | MECHANICAL ENGINEERING SECTION |             |         |
| DIM: mm   | NAME               | DATE                           | SIGN        |         |
| DRAWN   | ENDEN              | 02-Oct-18                      | [Signature] |         |
| DESIGN  | AVAILABLE          | 02 Oct 18                      | [Signature] |         |
| CHECK   | YESSIKO            | 2-10-18                        | [Signature] |         |
| APRV  | M.NUGRAHA          | 2-10-18                        | [Signature] |         |
| () = GENERAL TOLERANSI $\pm 0.2\%$ x DIMENSION  |                    |                                |             |         |
| REF DWG NO. WKB-000324-F  |                    |                                |             |         |
| TITLE CUTTING PLAN - TROLLEY WHEEL  |                    |                                |             |         |
| <b>COVER BEARING MAXI</b>   |                    |                                |             |         |



PT SCG LIGHTWEIGHT CONCRETE INDONESIA

A4

2012-DWG-CP-M-000324-024

REV NO. PAGE

2