



Display Purchase Req. 1021012788

Document Overview On Personal Setting

2010 PR frm MRP/CBP

Header



Requisn Date	Status	Item	A I	Material	Short Text	Quantity	Unit	Delivery Date	Per	Requisnr.	Material Group	Plant	Stor. Loc.	PGr	Total Value
25.11.2022		10			Making Bucket Elevator	10	PC	30.12.2022	1	Taufik	Supplies	PT SLCI		DBA	6,000,000

Item



Item Texts

A...

- Item text
- Item note
- Delivery text
- Material PO text

Purpose:

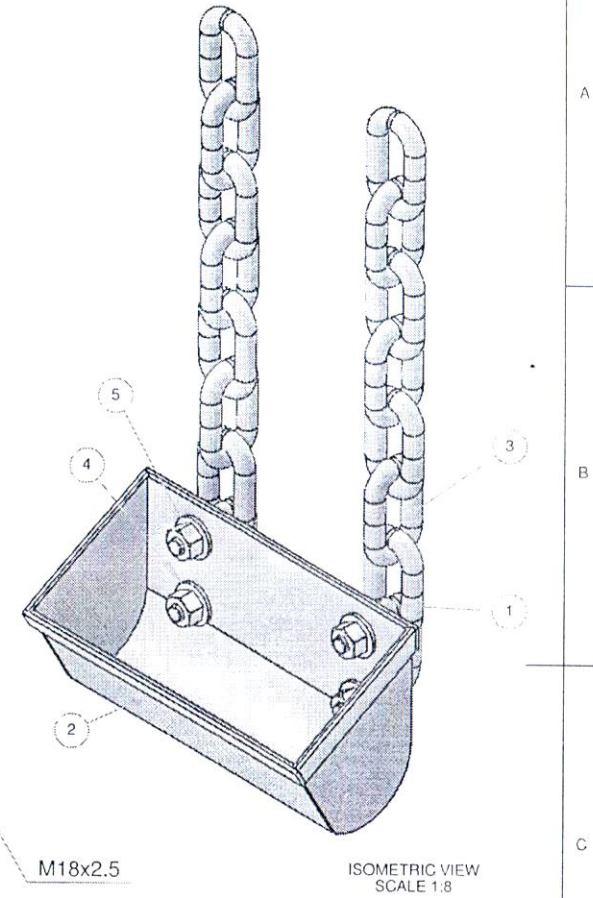
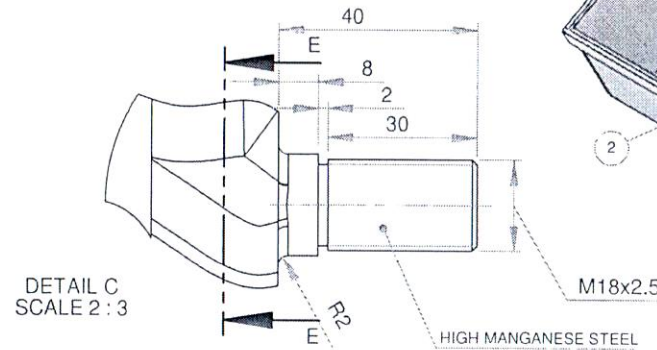
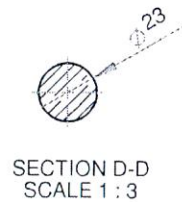
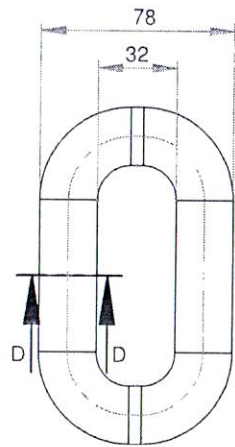
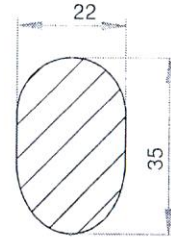
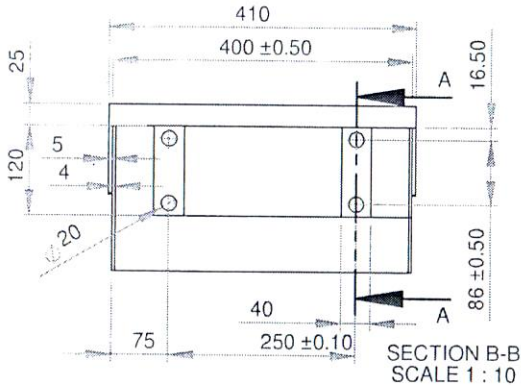
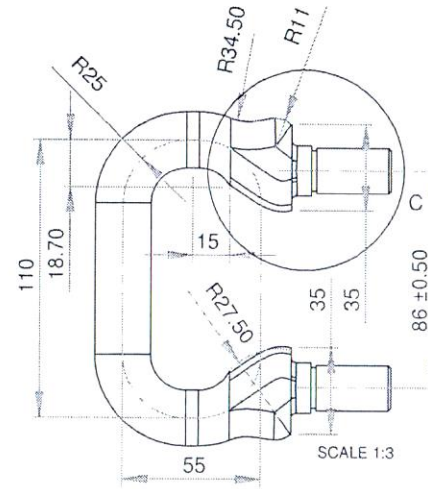
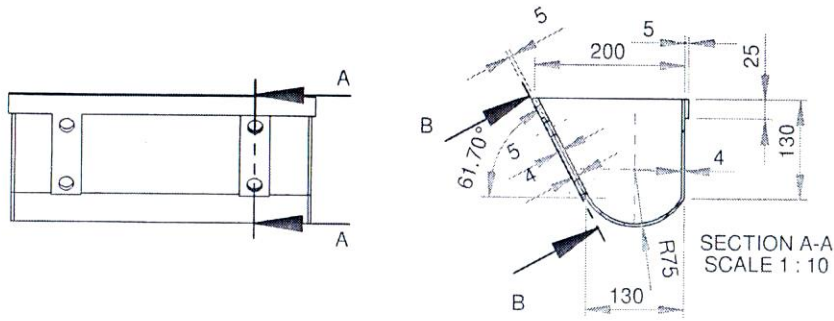
Bucket Elevator Sand | Details: 2012-DWG-RMA-BE01-M-110

GL: 523072

CC: 2011-10000



Continuous-tex...



5	NUT M18x2.5	2	HTBN 8.8	
4	WASHER PLATE M18	2	SPRING STEEL	
3	CHAIN EYE	14	HIGH MANGANESE STEEL (FORGING)	CASTING PROCESS WILL BE ACCEPTABLE
2	BUCKET	1	ANTI WEAR PLATE	HARDOX 500 OR COMPATIBLE
1	LOCKING CHAIN	2	HIGH MANGANESE STEEL (FORGING)	CASTING PROCESS WILL BE ACCEPTABLE
POS	DESCRIPTION	QTY	MATERIAL	REMARKS

FILE DIR: \\192.168.4.15\mechanical\Draft\Nuryana\Proyek Pak Yessiko\Bucket elevator\  SCALE: 1:20 DIM: mm ASSY NO. _____

DRAWN ENDEN 03-Sep-18			MECHANICAL ENGINEERING SECTION	
DESIGN	AVAILABLE	TITLE BUCKET ELEVATOR 01		
CHECK	YESSIKO	<h1>ASSEMBLY SEVEN</h1> <h2>CHAIN LINK (EXISTING)</h2>		
APRV	M. MUGRAHA			
CANCEL DWG NO.				
REF DWG NO.				

** INCOMING PART WILL BE CHECK. IT WILL RETURN IF NOT PASS **

POLISHING	GRINDING	NORMAL MACHINING (SMOOTH SURFACE)	NORMAL MACHINING (ROUGH SURFACE)
