

Display Purchase Req. 1021012977

Document Overview On Personal Setting

2010 PR frm MRP/CBP 1021012977

Header

Default Values

Requisn Date	Status	Item	A I	Material	Short Text	Quantity	Unit	Delivery Date	Per	Requisnr.	Material Group	Plant	Stor. Loc.	PGr	Total Value
30.01.2023		10	K		Nylon Coupler Dia. 65 [see D...	24	PC	06.03.2023	1	Taufik	Supplies	PT SLCI		DBA	1,440,000

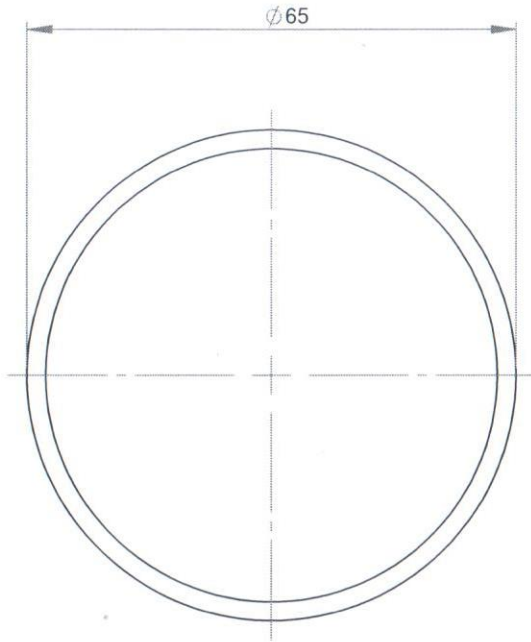
Item [10] Nylon Coupler Dia. 65 [see DWG]

Material Data | Quantities/Dates | Valuation | Account Assignment | Source of Supply | Status | Contact Person | **Texts** | Delivery Address | Spec2000 / SC

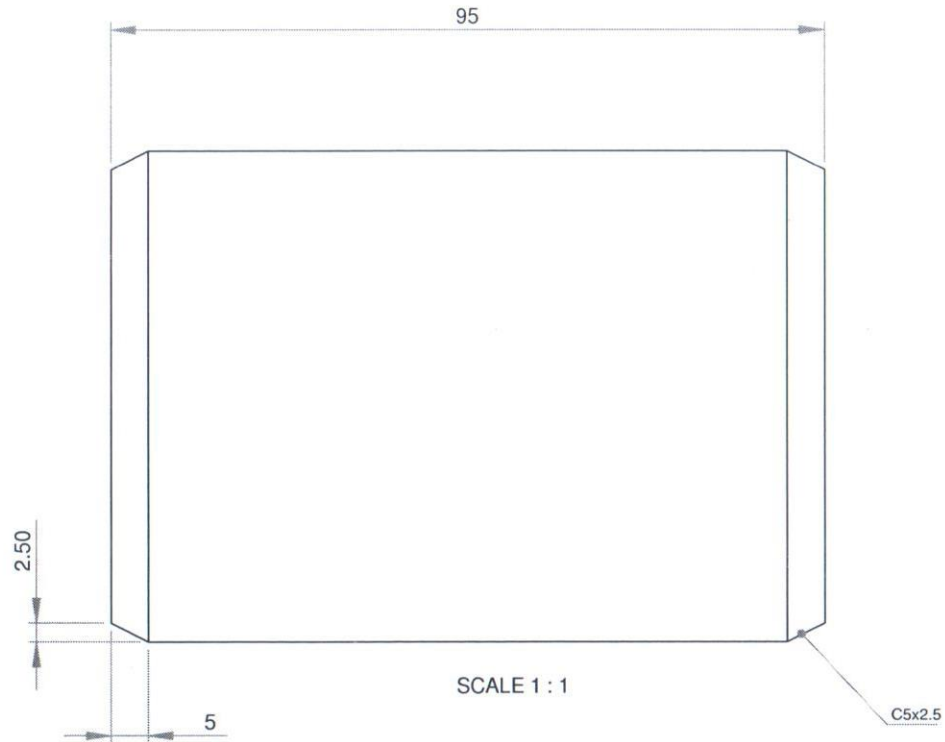
- Item Texts
- Item text
 - Item note
 - Delivery text
 - Material PO text

A... Purpose:
Teflon Ball Mill #2 & #3
GL: 523072
CC: 2011-10000

Continuous-tex...



SCALE 1 : 1



SCALE 1 : 1

** INCOMING PART WILL BE CHECK. IT WILL RETURN IF NOT PASS **

POLISHING	GRINDING	NORMAL MACHINING (SMOOTH SURFACE)	NORMAL MACHINING (ROUGH SURFACE)

1	NYLON COUPLER	1	NYLON	
POS	DESCRIPTION	QTY	MATERIAL	REMARKS
FILED	4.15\mechanical\Draft Nuryana\Proyek mas gama\Teflon Coupler		SCALE: 1:1	DIM: mm ASSY NO.
DIM: mm	NAME	DATE	MECHANICAL ENGINEERING SECTION	
DRAWN	ENDEN	6/14/2017	TITLE	
DESIGN	ENDEN		<h1>NYLON COUPLER</h1>	
CHECK	GAMA			
APRV	RULLY			
CANCEL DWG NO.				
REF DWG NO.				
	PT SCG LIGHTWEIGHT CONCRETE INDONESIA	A4	2012-DWG-RMA-BM03-051	REV NO. PAGE
				2