

# Display Purchase Req. 1021013093

Document Overview On Personal Setting

2010 PR frm MRP/CBP

Header

Default Values

Requisn Date	Status	Item	A	I	Material	Short Text	Quantity	Unit	Delivery Date	Per	Requisnr.	Material Group	Plant	Stor. Loc.	PGr	Total Value
14.02.2023		10	K			Wheel Portal Packing (see d...	1	PC	31.03.2023	1	Taufik	Supplies	PT SLCI		DBA	6,750,000

Item

Material Data | Quantities/Dates | Valuation | Account Assignment | Source of Supply | Status | Contact Person | Texts | Delivery Address | Spec2000 / SC

Item Texts

- Item text
- Item note
- Delivery text
- Material PO text

A...

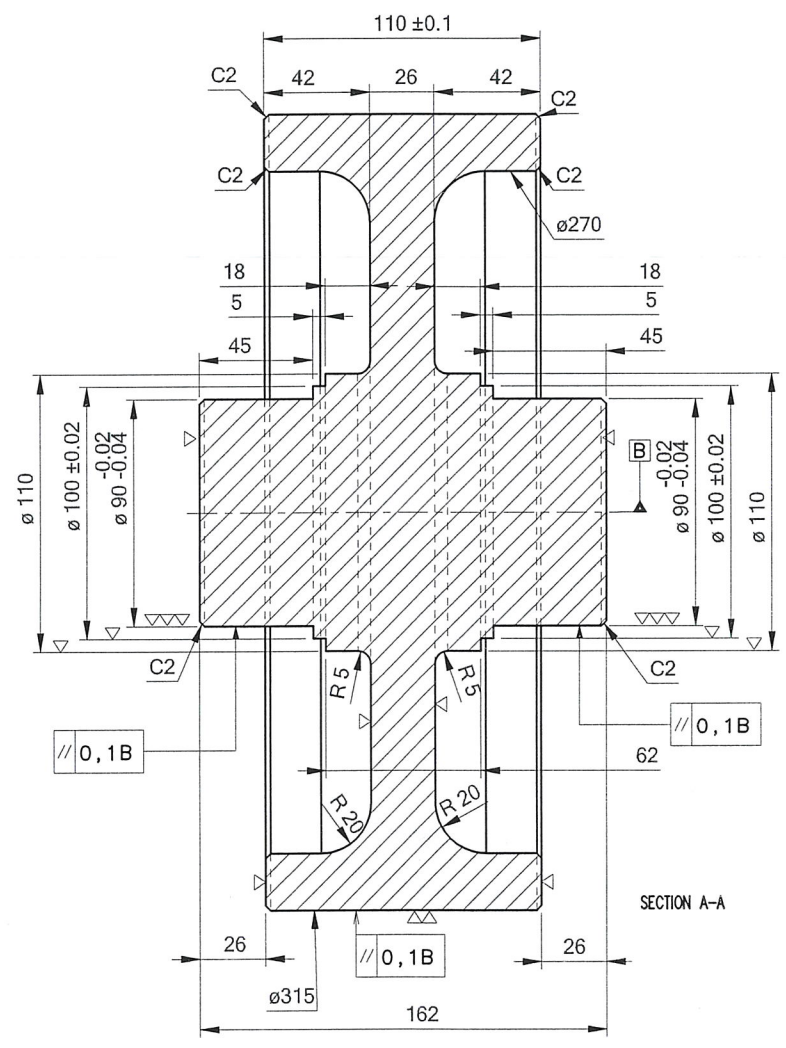
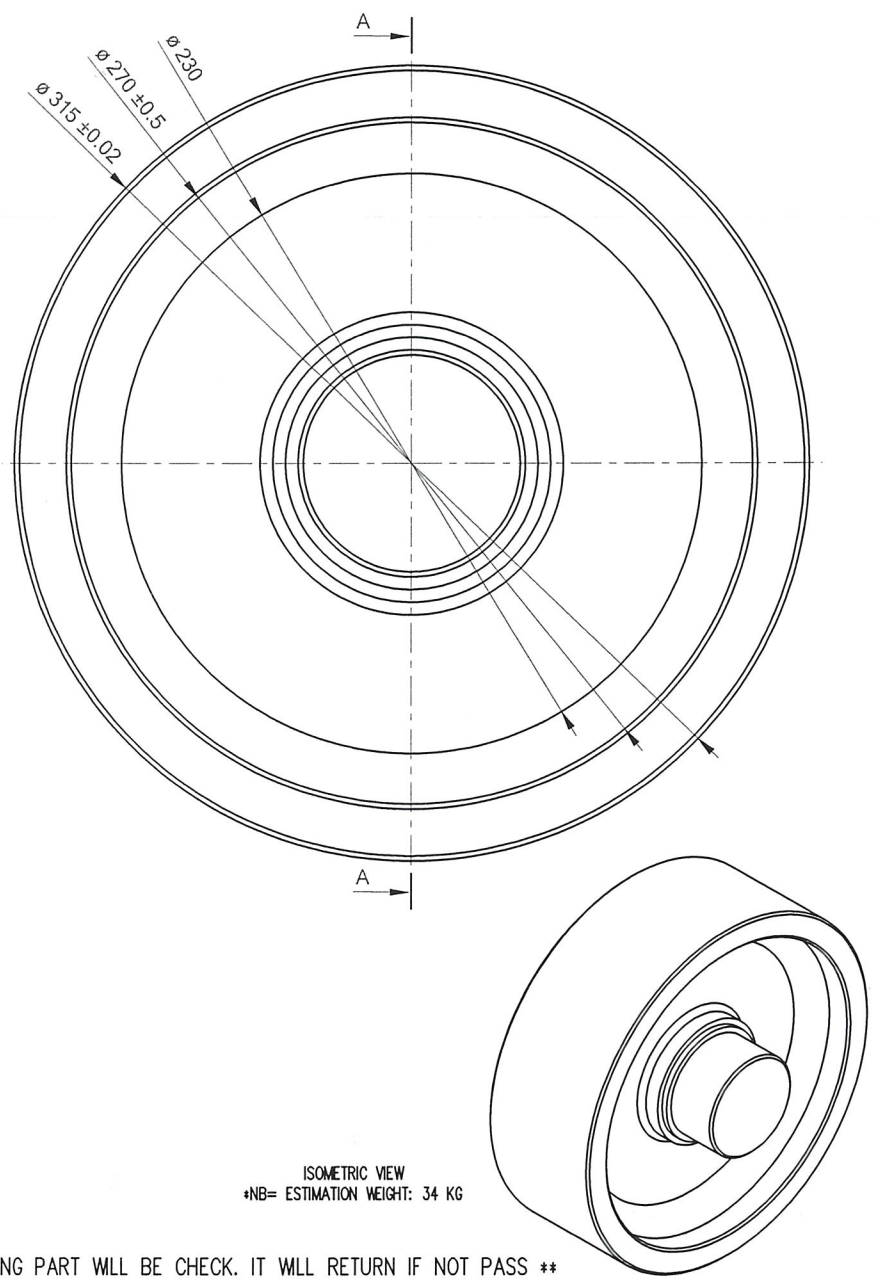
Purpose:

Wheel Portal Loader - Unloader (RTU)

GL: 523072

CC: 2011-10000

Continuous-tex...



\*\* INCOMING PART WILL BE CHECK. IT WILL RETURN IF NOT PASS \*\*

POLISHING	GRINDING	NORMAL MACHINING (SMOOTH SURFACE)	NORMAL MACHINING (ROUGH SURFACE)
▽▽▽	▽▽	▽	▽

1	WHEEL PORTAL	1	FCD-700	30-33 HRC
POS	DESCRIPTION	QTY	MATERIAL	REMARKS
FILE DIR: _		SCALE: 1:3		ASSY NO.
DIM: mm		MECHANICAL ENGINEERING SECTION		
DRAWN	ENDEN	DATE	TITLE PORTAL - PACKING	
DESIGN	USER			
CHECK	YESSIKO			
APRV	MNUGRAHA			
(*) = GENERAL TOLERANSI ±0.2% x DIMENSION				
REF DWG NO.				
PT SCG LIGHTWEIGHT CONCRETE INDONESIA		A4	2012-DWG-PP-M-00514-028	REV NO. 2
				PAGE -