

# Display Purchase Req. 1021013178

Document Overview On Personal Setting

2010 PR frm MRP/CBP 1021013178

Header

Default Values

Requisn Date	Status	Item A I	Material	Short Text	Quantity	Unit	Delivery Date	Per	Requisnr.	Material Group	Plant	Stor. Loc.	PGr	Total Value
09.03.2023		10 K		Bushing Cutting Board Arrest ...	2	PC	31.05.2023	1	Taufik	Supplies	PT SLCI		DBA	2,400,000
09.03.2023		20 K		Bushing Cutting Board Arrest ...	2	PC	31.05.2023	1	Taufik	Supplies	PT SLCI		DBA	3,200,000

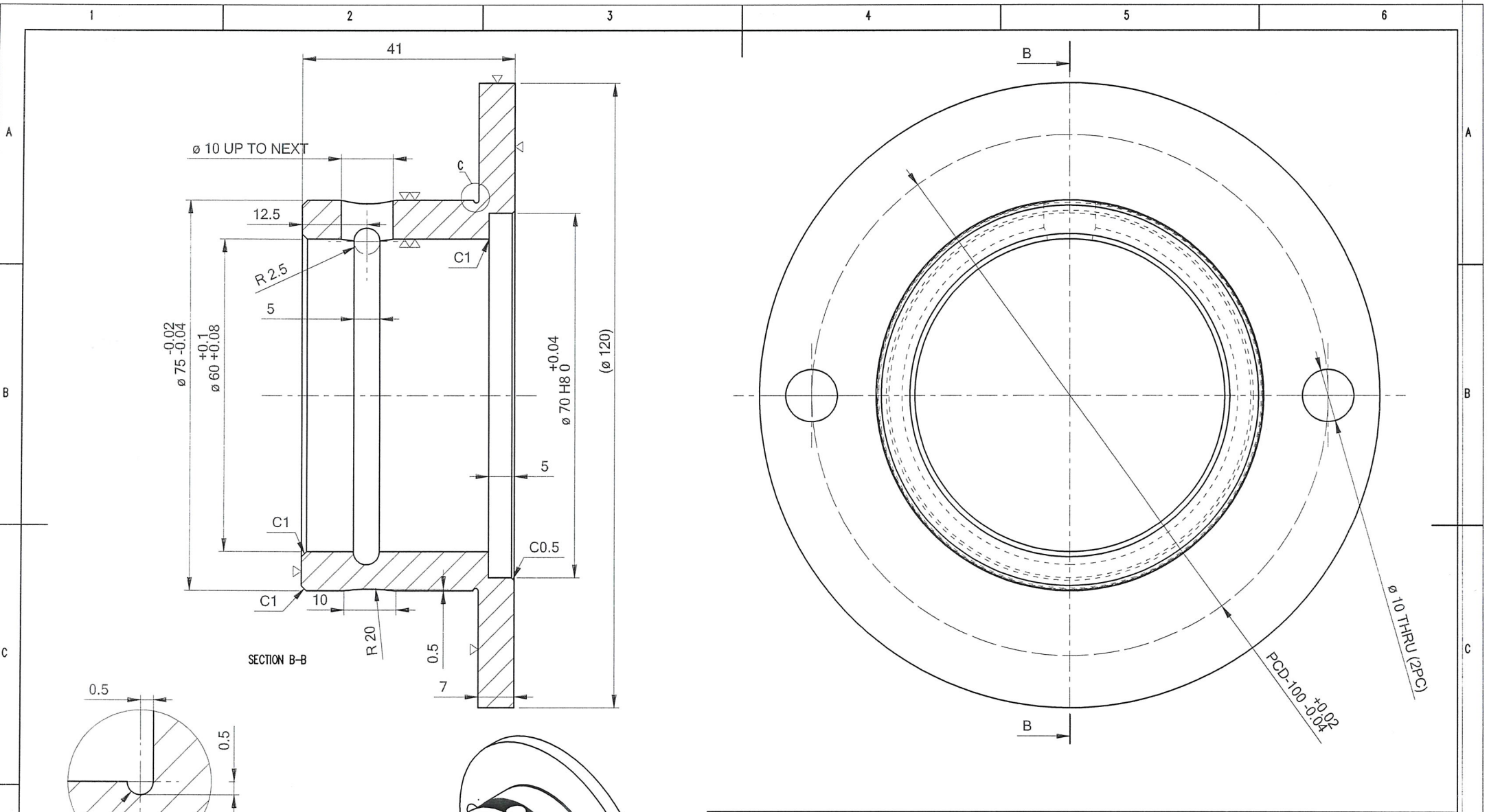
Item [ 10 ] Bushing Cutting Board Arrest Inner

Material Data | Quantities/Dates | Valuation | Account Assignment | Source of Supply | Status | Contact Person | **Texts** | Delivery Address | Spec2000 / SC

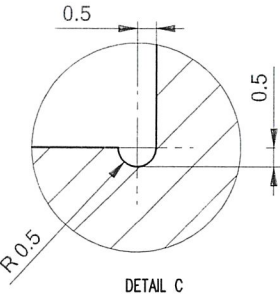
Item Texts A...  
• Item text   
• Item note   
• Delivery text   
• Material PO text

Purpose:  
For Tilting #2  
GL: 523072  
CC: 2011-10000

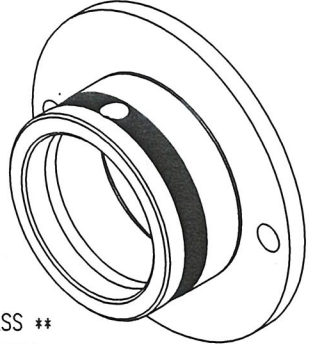
Continuous-tex...



SECTION B-B



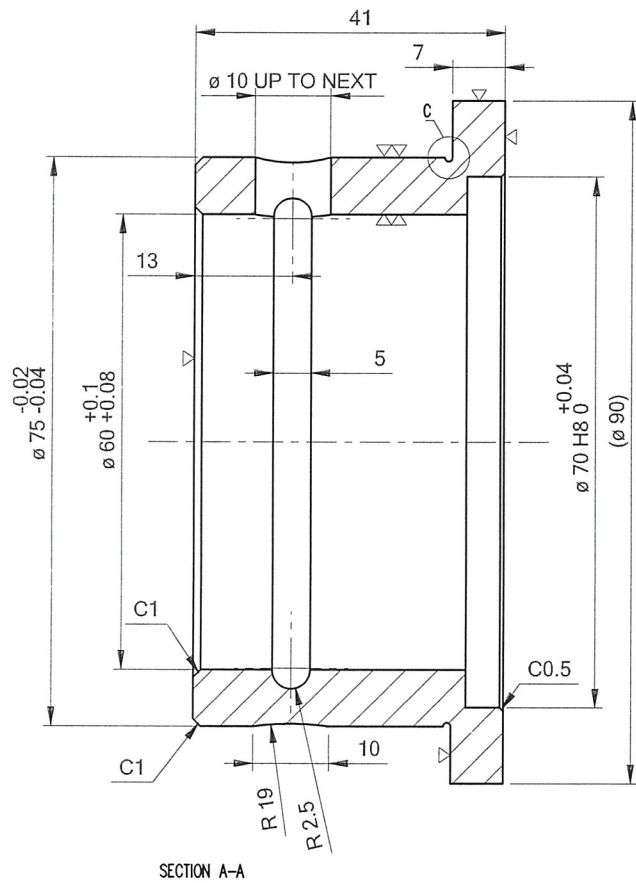
ISOMETRIC VIEW  
\*NB= ESTIMATION WEIGHT: 1.4 KG



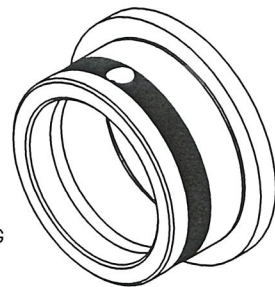
\*\* INCOMING PART WILL BE CHECK. IT WILL RETURN IF NOT PASS \*\*

POLISHING	GRINDING	NORMAL MACHINING (SMOOTH SURFACE)	NORMAL MACHINING (ROUGH SURFACE)
▽▽▽	▽▽	▽	▽

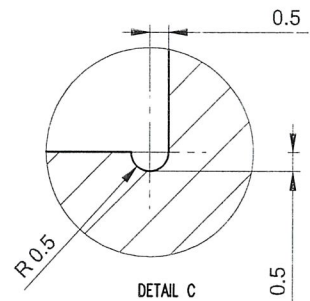
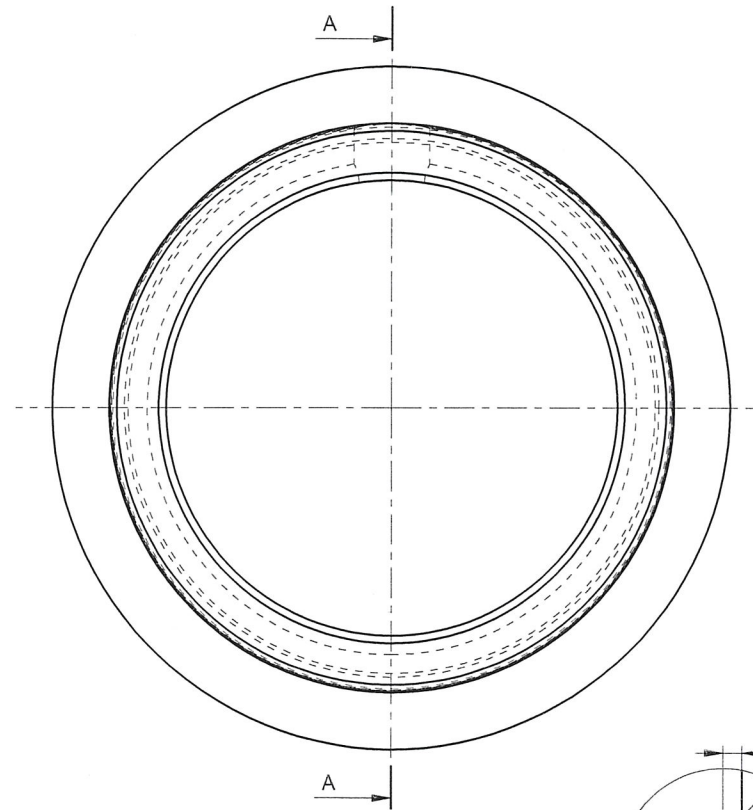
1	BUSHING OUTER	1	BRONZE	-
POS	DESCRIPTION	QTY	MATERIAL	REMARKS
FILE DIR: -		SCALE: 1:1		DIM: mm
DIM: mm		NAME		DATE
DRAWN		ENDEN		DATE
DESIGN		USER		
CHECK		YESSIKO		
APRV		MNUGRAHA		
( ) = GENERAL TOLERANSI ±0.2% x DIMENSION		MECHANICAL ENGINEERING SECTION		
REF DWG NO. 2012-DWG-CP-M-00514-031		TITLE CUTTING PLAN - TILLING		
		BUSHING CUTTING BOARD ARREST OUTER		
PT SCG LIGHTWEIGHT CONCRETE INDONESIA		A4	2012-DWG-CP-M-00514-031-A	REV NO. PAGE



SECTION A-A



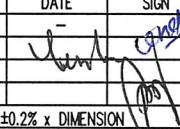
ISOMETRIC VIEW  
\*NB= ESTIMATION WEIGHT: 0.8 KG



DETAIL C

\*\* INCOMING PART WILL BE CHECK. IT WILL RETURN IF NOT PASS \*\*

POLISHING	GRINDING	NORMAL MACHINING (SMOOTH SURFACE)	NORMAL MACHINING (ROUGH SURFACE)
▽▽▽▽	▽▽	▽▽	▽

1	BUSHING INNER	1	BRONZE	-
POS	DESCRIPTION	QTY	MATERIAL	REMARKS
FILE DIR: _		SCALE: 1:1		ASSY NO.
DIM: mm		MECHANICAL ENGINEERING SECTION		
DRAWN	ENDEN	DATE	TITLE CUTTING PLAN - TITLING	
DESIGN	USER			
CHECK	YESSIKO			
APRV	MANURAHA			
( ) = GENERAL TOLERANSI $\pm 0.2\% \times$ DIMENSION REFF DWG NO. 2012-DWG-CP-M-00514-031				
			BUSHING CUTTING BOARD ARREST INNER	



PT SCG LIGHTWEIGHT CONCRETE INDONESIA

A4

2012-DWG-CP-M-00514-030-A

REV NO. 2  
PAGE -