

# Display Purchase Req. 1021013290

Document Overview On | Personal Setting

2010 PR frm MRP/CBP ▾ 1021013290

Header

Default Values

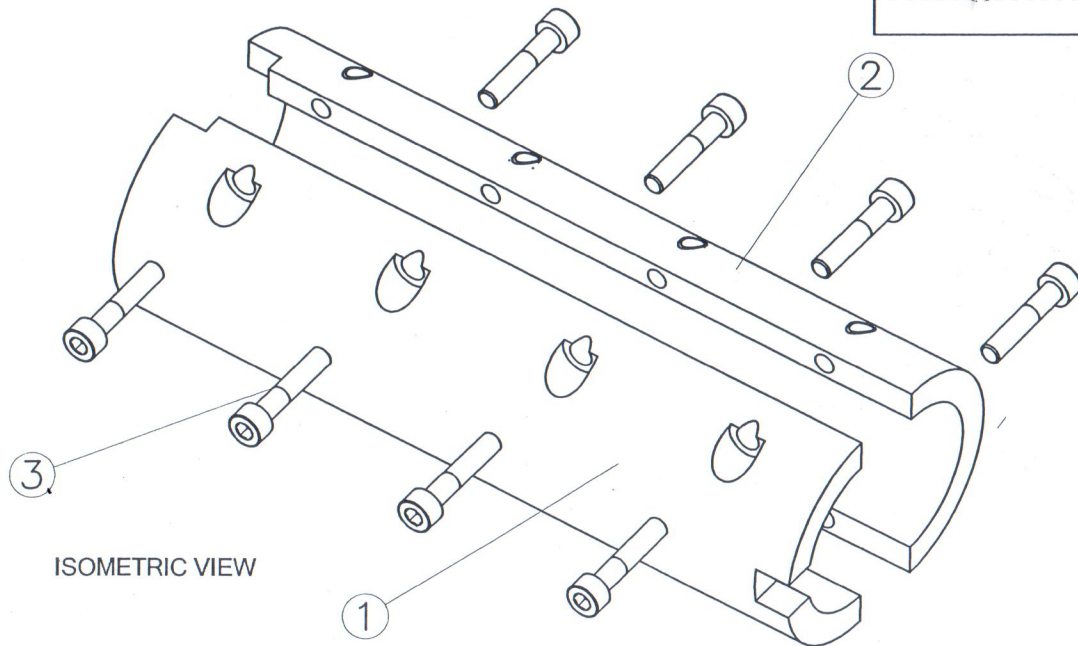
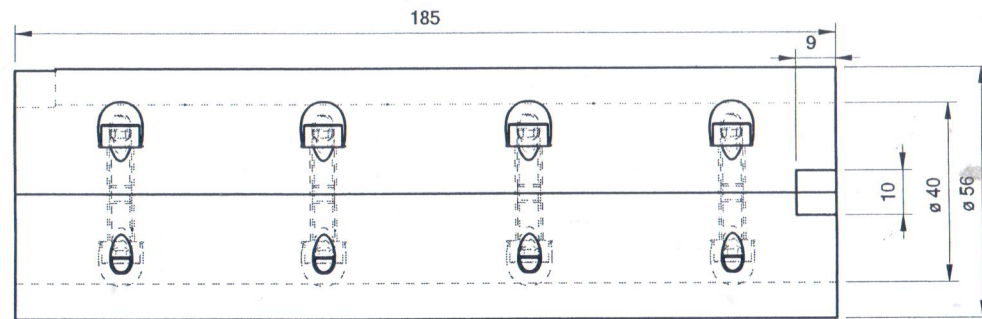
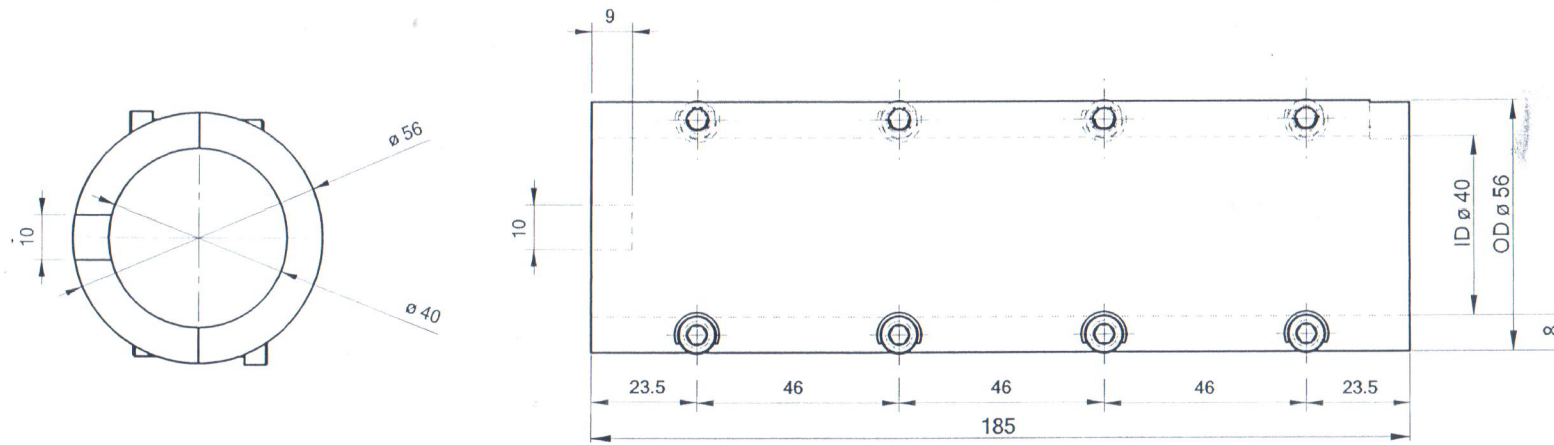
Requisn Date	Status	Item	A	I	Material	Short Text	Quantity	Unit	Delivery Date	Per	Requisnr.	Material Group	Plant	Stor. Loc.	PGr	Total Value
04.05.2023		10	K			Bushing Cam Cross Cutter (se...	2	PC	31.05.2023	1	Taufik	Supplies	PT SLCI		DBA	1,600,000

Item [ 10 ] Bushing Cam Cross Cutter (see DWG) ▾

Material Data | Quantities/Dates | Valuation | Account Assignment | Source of Supply | Status | Contact Person | **Texts** | Delivery Address | Spec2000 / SC

Item Texts	A...	
•  Item text		<p>Purpose:</p> <p>Bushing Cam Cross Cutter, bushing cam no-24 &amp; no-25 already abnormal (unsteady)</p> <p>GL: 523072 CC: 2011-10000</p>
•  Item note		
•  Delivery text		
•  Material PO text		

Continuous-tex... ▾



ISOMETRIC VIEW

4.					
3.	SREWS L M5 x 25	8	HTBN 8.8		
2.	PIPE B	1	SS400		
1.	PIPE A	1	SS400		
No.	Description	Qty.	Materials	Remark	
Dir./ File : C:\Spiderman\Desktop\SLC\Project varkad\cam cross cutter				Scale: 1:1	Assy. No.
Dim : mm	Name	Date	Sign	Title :	
Drawn	Sigit S	10-10-16	<i>[Signature]</i>	Bushing Cam cross cutter	
Designed					
Checked	Rully Adi Irawan	10-10-16	<i>[Signature]</i>		
Approved	M. Nugrahaputra				
PT.SCG Lightweight Concrete Indonesia			A4	2012-DWG-WKB-CC B- 004	Rev. No.
				Page.	04