

Display Purchase Req. 1021013393

Document Overview On Personal Setting

2010 PR frm MRP/CBP 1021013393

Header

Default Values

| Requisn Date | Status | Item A I | Material | Short Text | Quantity | Unit | Delivery Date | Per | Requisnr. | Material Group | Plant | Stor. Loc. | PGr | Total Value |
|--------------|--------|----------|----------|----------------------------------|----------|------|---------------|-----|-----------|----------------|---------|------------|-----|-------------|
| 25.05.2023 | | 10 K | | Cover Bearing Trolley type Ma... | 10 | PC | 14.06.2023 | 1 | Taufik | Supplies | PT SLCI | | DBA | 2,500,000 |
| 25.05.2023 | | 20 K | | Cover Bearing Trolley type Mi... | 6 | PC | 14.06.2023 | 1 | Taufik | Supplies | PT SLCI | | DBA | 1,500,000 |

Item [10] Cover Bearing Trolley type Maxi (In)

Material Data | Quantities/Dates | Valuation | Account Assignment | Source of Supply | Status | Contact Person | Texts | Delivery Address | Spec2000 / SC

Item Texts

- Item text
- Item note
- Delivery text
- Material PO text

A...

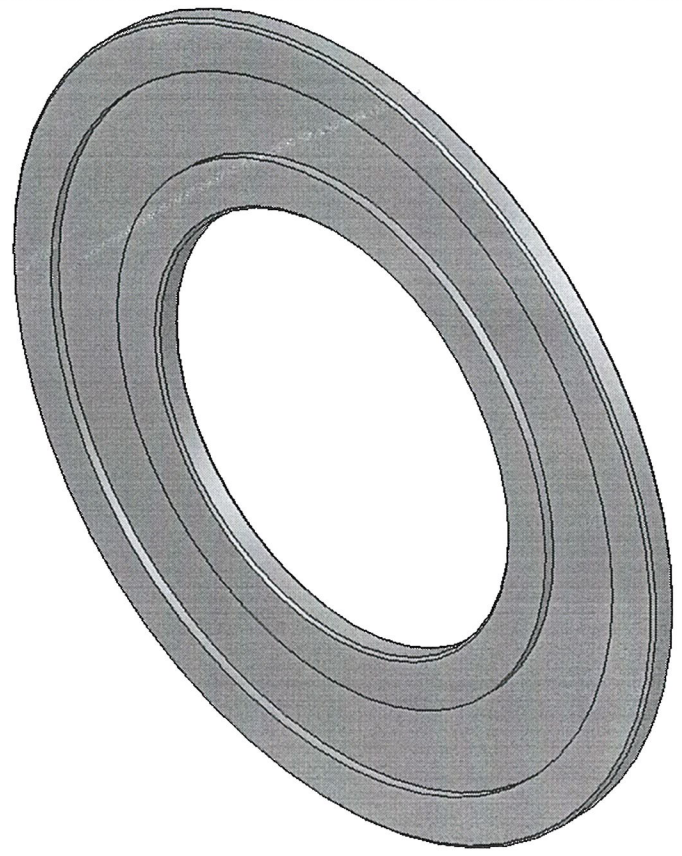
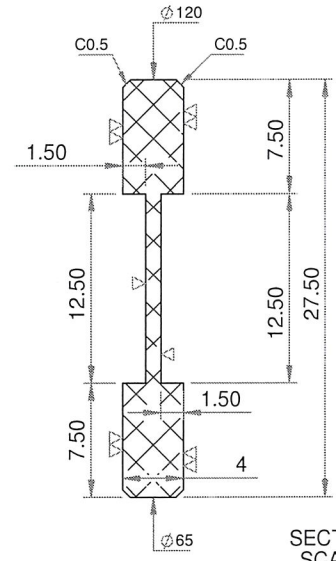
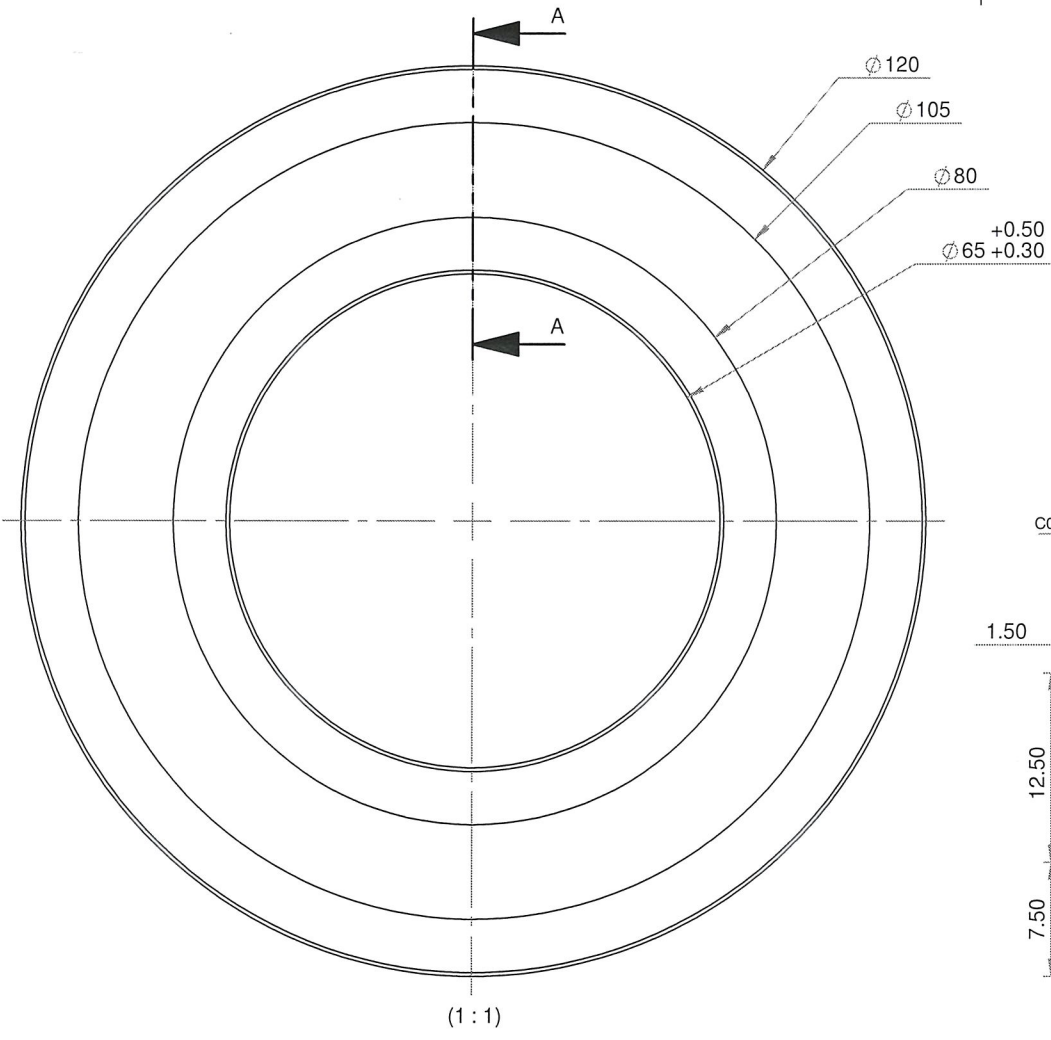
Purpose:

Prepare Ready to Use Wheel Trolley #1 & #2

GL: 523072

CC: 2011-10000

Continuous-tex...



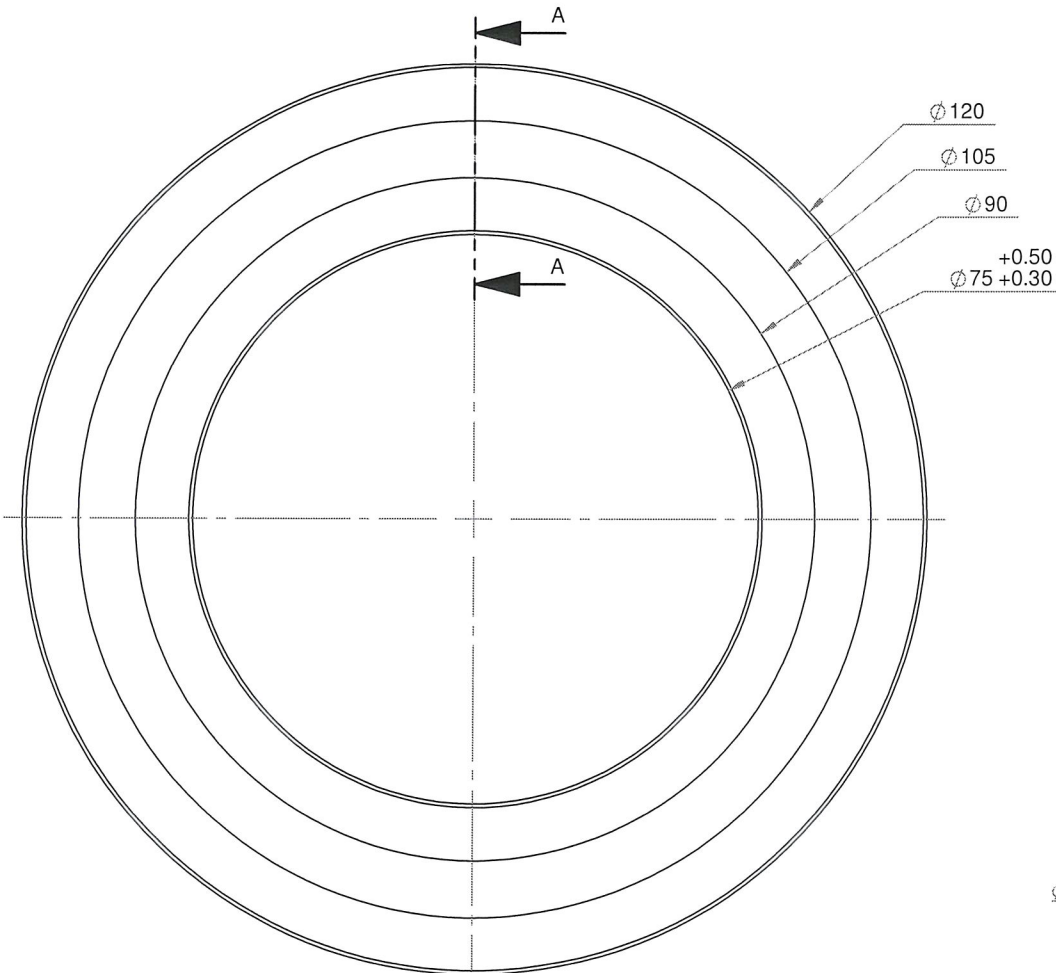
** INCOMING PART WILL BE CHECK. IT WILL RETURN IF NOT PASS **

| | | | |
|-----------|----------|-----------------------------------|----------------------------------|
| POLISHING | GRINDING | NORMAL MACHINING (SMOOTH SURFACE) | NORMAL MACHINING (ROUGH SURFACE) |
| ▽▽▽ | ▽▽ | ▽ | ▽ |

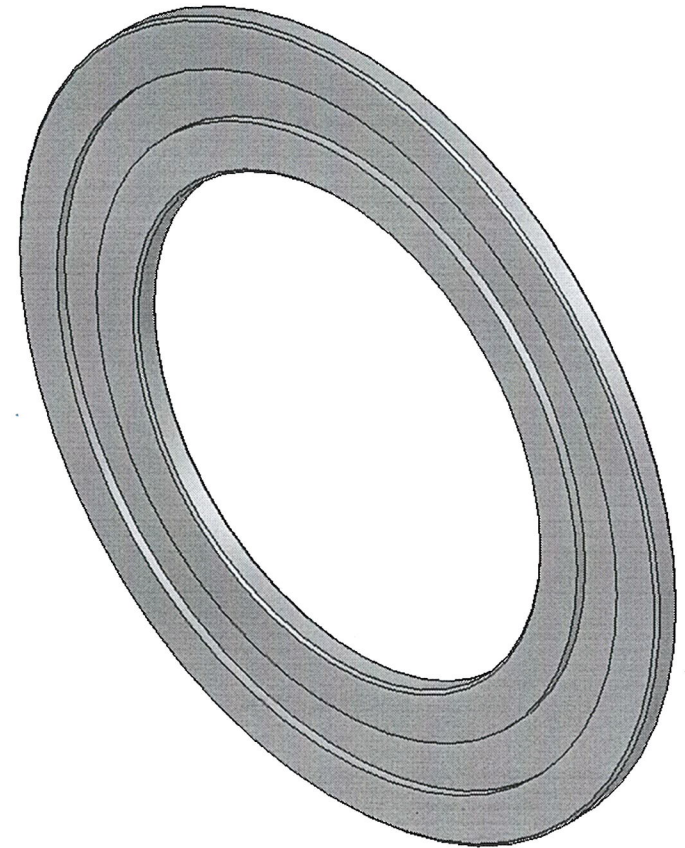
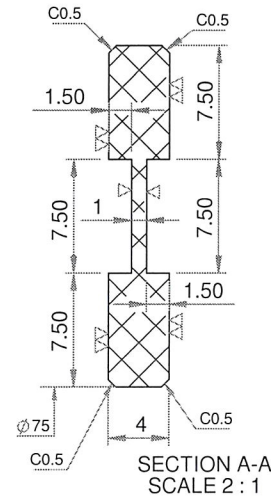
| | | | | |
|---|--------------------|--------------------------------|-------------|---------|
| 1 | COVER BEARING MINI | 1 | PTFE | |
| POS | DESCRIPTION | QTY | MATERIAL | REMARKS |
| FILE DIR: \\192.168.4.15\mechanical\Draft Nuryana\Proyek Pak Arifin\Cutting line\Cover Bearing | | SCALE: 1:5 | | DIM: mm |
| ASSY NO. | | MECHANICAL ENGINEERING SECTION | | |
| DIM: mm | NAME | DATE | SIGN | |
| DRAWN | ENDEN | 02-Oct-18 | [Signature] | |
| DESIGN | USER | 02 Oct 18 | [Signature] | |
| CHECK | YESSIKO | 2.10.18 | [Signature] | |
| APRV | M.NUGRAHA | 02-Dec-18 | [Signature] | |
| ()= GENERAL TOLERANSI ±0.2% x DIMENSION | | | | |
| REF DWG NO. | | | | |

TITLE CUTTING PLAN - TROLLEY WHEEL

COVER BEARING MINI



SCALE 1 : 1



** INCOMING PART WILL BE CHECK. IT WILL RETURN IF NOT PASS **

| | | | |
|-----------|----------|-----------------------------------|----------------------------------|
| POLISHING | GRINDING | NORMAL MACHINING (SMOOTH SURFACE) | NORMAL MACHINING (ROUGH SURFACE) |
| ▽▽▽ | ▽▽ | ▽ | ▽ |

| | | | | |
|---|--------------------|--------------------------------|----------|---------|
| 1 | COVER BEARING MAXI | 1 | PTFE | - |
| POS | DESCRIPTION | QTY | MATERIAL | REMARKS |
| FILE DIR: \\192.168.4.15\mechanical\Draft Nuryana\Proyek Pak Arifin\Cutting line\Cover Bearing\ | | SCALE: 1:5 | | DIM: mm |
| DIM: mm | | MECHANICAL ENGINEERING SECTION | | |
| DRAWN | ENDEN | DATE | SIGN | |
| DESIGN | AVAILABLE | 02-Oct-18 | 31 | |
| CHECK | YESSIKO | 2-10-18 | 31 | |
| APRV | M.NUGRAHA | 2-10-18 | 31 | |
| () = GENERAL TOLERANSI ±0.2% x DIMENSION | | | | |
| REF DWG NO. WKB-000324-F | | | | |
| TITLE CUTTING PLAN - TROLLEY WHEEL | | COVER BEARING MAXI | | |



PT SCG LIGHTWEIGHT CONCRETE INDONESIA

A4

2012-DWG-CP-M-000324-024

REV NO. PAGE

2