

# Display Purchase Req. 1021013543

Document Overview On Personal Setting

2010 PR frm MRP/CBP 1021013543

Header

Requisn Date	Status	Item A I	Material	Short Text	Quantity	Unit	Delivery Date	Per	Requisnr.	Material Group	Plant	Stor. Loc.	PGr	Total Value
26.06.2023		10 K		Bushing Cutting Board Move...	2	PC	31.07.2023	1	Robby	Supplies	PT SLCI		DBA	6,000,000

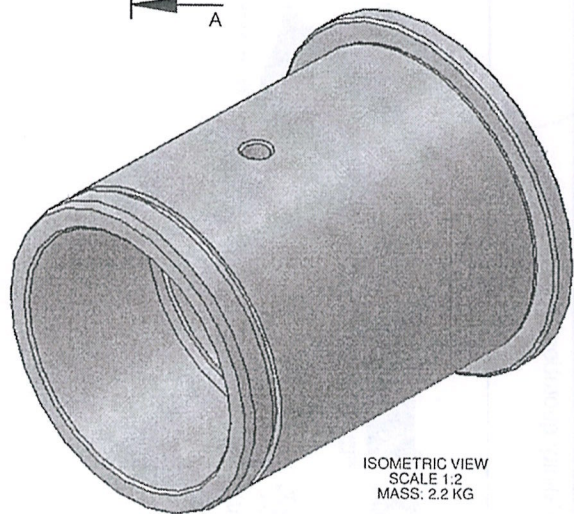
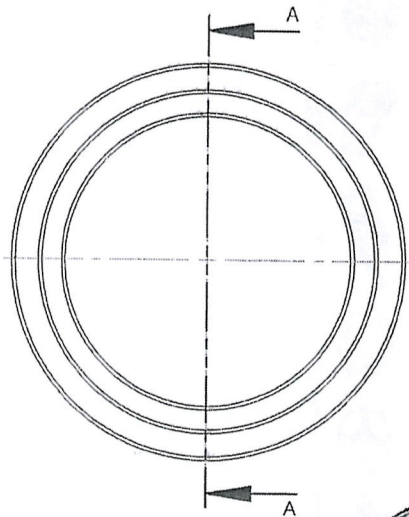
Item [ 10 ] Bushing Cutting Board Movement



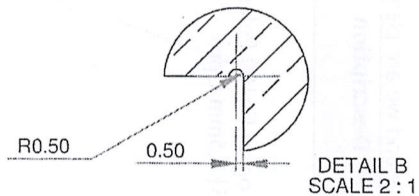
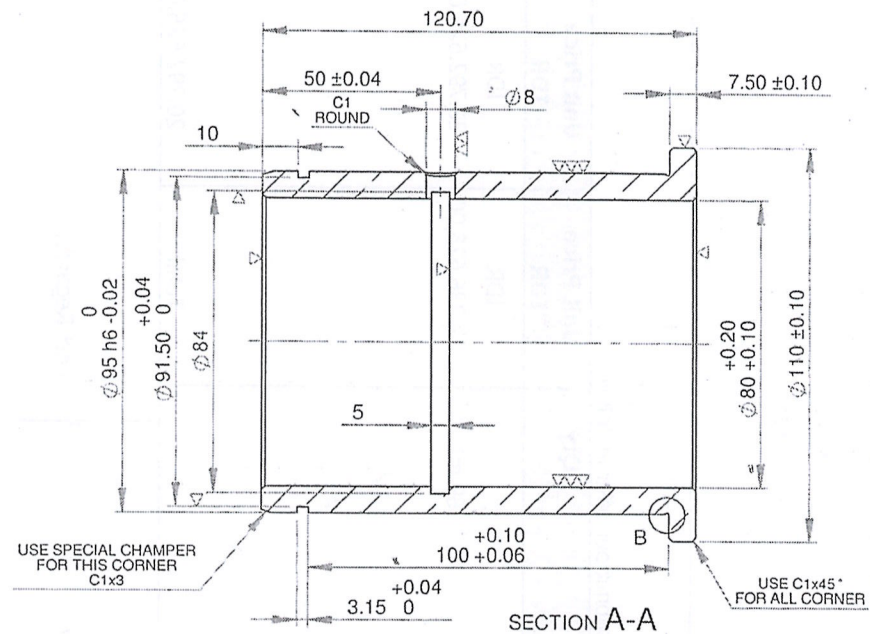
Material Data
Quantities/Dates
Valuation
Account Assignment
Source of Supply
Status
Contact Person
Texts
Delivery Address
Spec2000 / SC

Item Texts	A...	
•  Item text	✓	Purpose: For Tilting #2 GL: 523072 CC: 2011-10000
•  Item note		
•  Delivery text		
•  Material PO text		

Continuous-tex...



ISOMETRIC VIEW  
SCALE 1:2  
MASS: 2.2 KG



1	BUSHING	1	BRONZE	
POS	DESCRIPTION	QTY	MATERIAL	REMARKS
FILE DIR: \\192.168.4.15\mechanical\Draft Nuryana\Proyek Pak Arifin\Bushing lilling\		SCALE: 1:2		ASSY NO.
DIM: mm		MECHANICAL ENGINEERING SECTION		
DRAWN	ENDEN	DATE	TITLE CUTTING PLAN - TILTING	
DESIGN	B.ARIFIN	16-Oct-18	<b>BUSHING CUTTING BOARD</b>	
CHECK	YESSIKO		<b>MOVEMENT</b>	
APRV	M. NUGRAHA			
CANCEL DWG NO.				
REF DWG NO.				

\*\* INCOMING PART WILL BE CHECK. IT WILL RETURN IF NOT PASS \*\*

POLISHING	GRINDING	NORMAL MACHINING (SMOOTH SURFACE)	NORMAL MACHINING (ROUGH SURFACE)
▽▽▽	▽▽	▽	▽