

# Display Purchase Req. 1021013545

Document Overview On Personal Setting

2010 PR frm MRP/CBP 1021013545

Header

Default Values

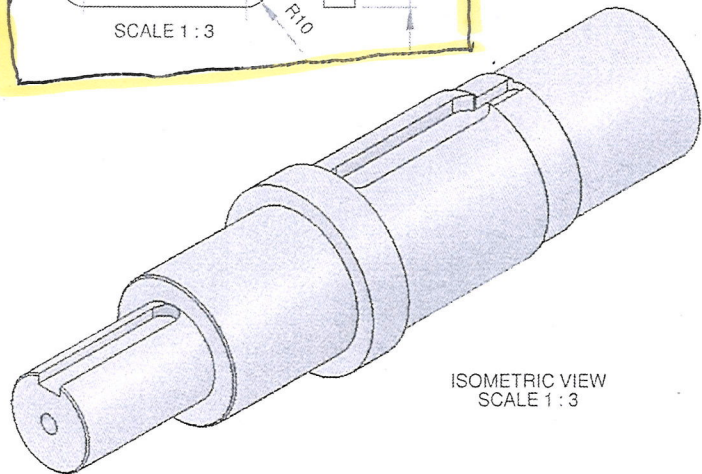
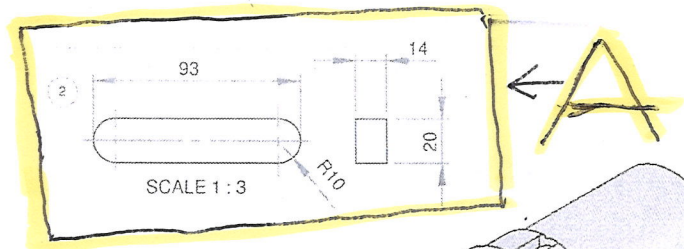
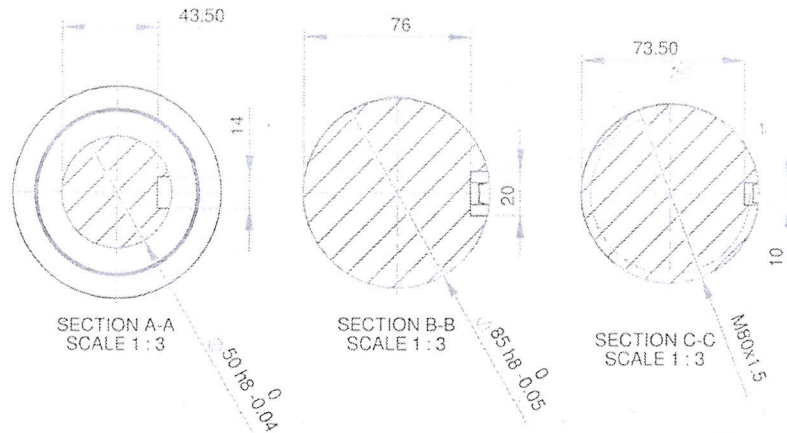
Requisn Date	Status	Item	A	I	Material	Short Text	Quantity	Unit	Delivery Date	Per	Requisnr.	Material Group	Plant	Stor. Loc.	PGr	Total Value
27.06.2023		10	K			Key Shaft Driver Transfer Car	4	PC	31.07.2023	1	Robby	Supplies	PT SLCI		DBA	1,400,000

Item [ 10 ] Key Shaft Driver Transfer Car

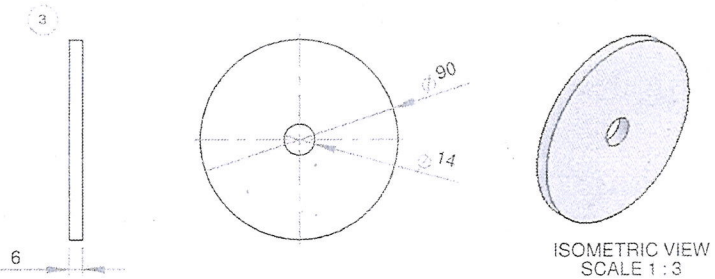
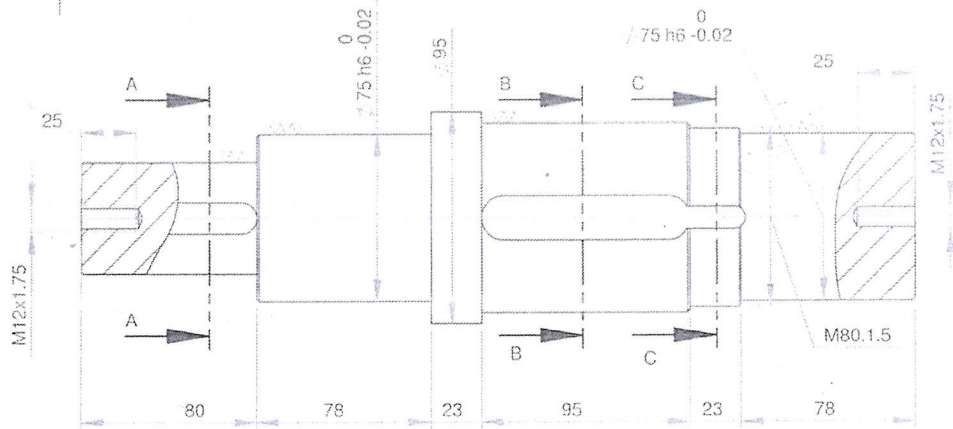
**Material Data** | Quantities/Dates | Valuation | Account Assignment | Source of Supply | Status | Contact Person | Texts | Delivery Address | Spec2000 / SC

Item Texts	A...	
Item text	<input checked="" type="checkbox"/>	<b>Purpose:</b>  Supplies Ready to Use Transfer Car  GL: 523072 CC: 2011-10000
Item note	<input type="checkbox"/>	
Delivery text	<input type="checkbox"/>	
Material PO text	<input type="checkbox"/>	

◀ ▶ Continuous-tex...



ISOMETRIC VIEW  
SCALE 1:3



ISOMETRIC VIEW  
SCALE 1:3

\*\* INCOMING PART WILL BE CHECK. IT WILL RETURN IF NOT PASS \*\*

POLISHING	GRINDING	NORMAL MACHINING (SMOOTH SURFACE)	NORMAL MACHINING (ROUGH SURFACE)
▽▽▽	▽▽	▽	▽

3	STOPPER BEARING	1	SS-400	
2	KEY SHAFT DRIVER	1	SS-400	
1	SHAFT DRIVER	1	VCN-150-HARDNESS: 45-50 HRC	
POS	DESCRIPTION	QTY	MATERIAL	REMARKS
FILE DIR:		SCALE: 1:3		ASSY NO.
W192.168.4.15\mechanical\Draft Nuryana\Proyek Pak Sigit\Transfer car\Wheel\Revisi		DIM: mm		
MECHANICAL ENGINEERING SECTION				
DIM: mm	NAME	DATE	TITLE TRANSFER CAR CURRING-2	
DRAWN	ENDEN	1/22/2018		
DESIGN	AVAILABLE	22/01/18		
CHECK	YESSIKO	1/18		
APRV	RULLY			
CANCEL DWG NO.				
REF DWG NO.				
PT SCG LIGHTWEIGHT CONCRETE INDONESIA		A4	2012-DWG-MPL-PS1-M-002-A1	REV NO: PAGE
			2	2

## SHAFT DRIVER