

# Display Purchase Req. 1021013626

Document Overview On Personal Setting

2010 PR frm MRP/CBP 1021013626

Header

Default Values

| Requisn Date | Status | Item A I | Material | Short Text      | Quantity | Unit | Delivery Date | Per | Requisnr. | Material Group | Plant   | Stor. Loc. | PGr | Total Value |
|--------------|--------|----------|----------|-----------------|----------|------|---------------|-----|-----------|----------------|---------|------------|-----|-------------|
| 13.07.2023   |        | 10 K     |          | Wheel Car Table | 2        | PC   | 31.08.2023    | 1   | Robby     | Supplies       | PT SLCI |            | DBA | 10,000,000  |

Item [ 10 ] Wheel Car Table

Material Data | Quantities/Dates | Valuation | Account Assignment | Source of Supply | Status | Contact Person | **Texts** | Delivery Address | Spec2000 / SC

Item Texts

- Item text
- Item note
- Delivery text
- Material PO text

A...

Purpose:

Prepare Ready to Use Car Table [2012-DWG-GSM-M-PL-000]

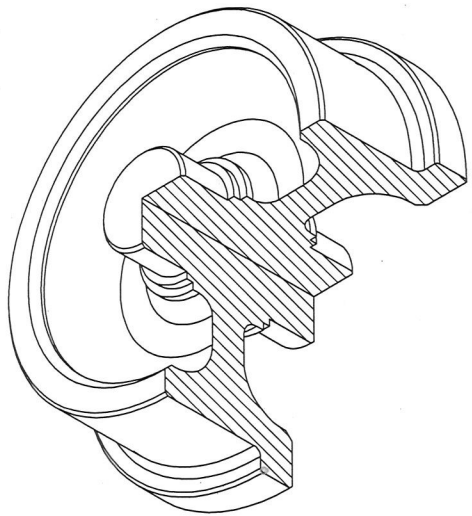
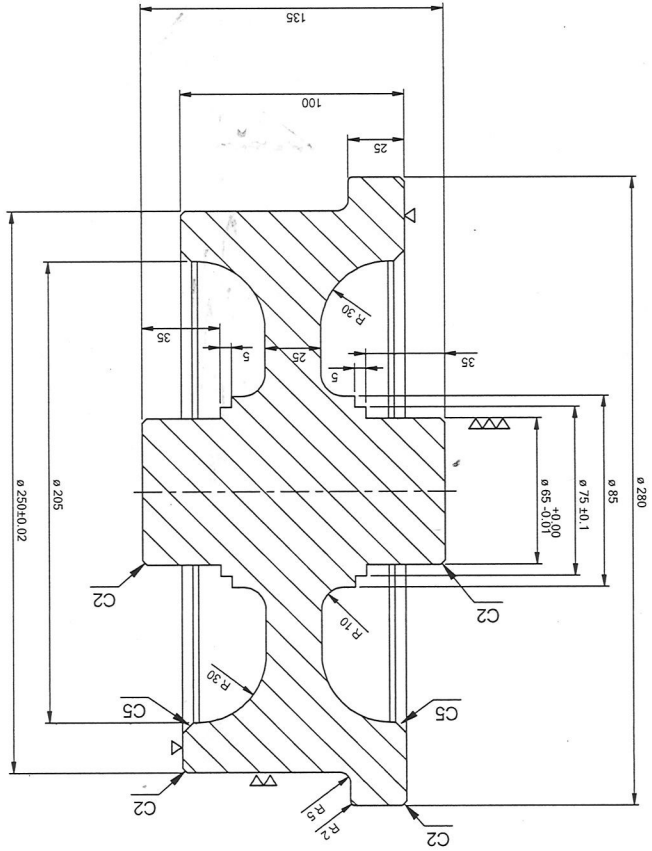
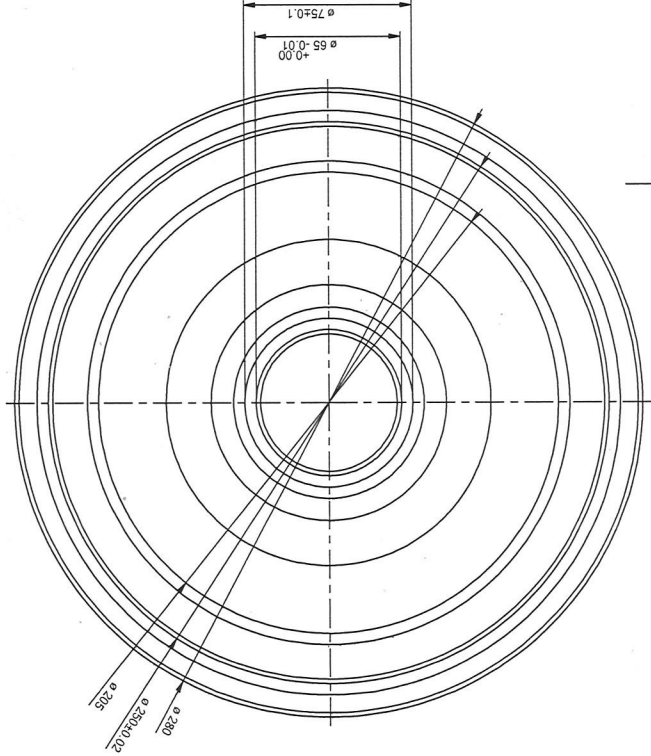
GL: 523072

CC: 2011-10000

Continuous-tex...

|      |          |    |                                   |   |                                  |
|------|----------|----|-----------------------------------|---|----------------------------------|
| ▽▽▽▽ | GRINDING | ▽▽ | NORMAL MACHINING (SMOOTH SURFACE) | ▽ | NORMAL MACHINING (ROUGH SURFACE) |
|------|----------|----|-----------------------------------|---|----------------------------------|

\*\* INCOMING PART WILL BE CHECK. IT WILL RETURN IF NOT PASS \*\*



ISOMETRIC VIEW

|                                |                |            |          |          |           |
|--------------------------------|----------------|------------|----------|----------|-----------|
| REF. DWG NO.                   | FILE DIR: -    | SCALE: 1:3 | DIM: mm  | ASSY NO. | REMARKS   |
| DRWN SGT                       | DATE 29/MAR/23 | SIGN       |          |          |           |
| DESIGN AVAILABLE               |                |            |          |          |           |
| CHECK DAMITA                   |                |            |          |          |           |
| APRV MURRAYA                   |                |            |          |          |           |
| TITLE GSM - CAR TABLE          |                |            |          |          |           |
| MECHANICAL ENGINEERING SECTION |                |            |          |          |           |
| POS                            | DESCRIPTION    | QTY        | MATERIAL |          |           |
| 1                              | WHEEL          | 1          | FCD-700  |          | 30-33 HRC |