

Display Purchase Req. 1021013808

Document Overview On Personal Setting

2010 PR frm MRP/CBP 1021013808

Header

Requisn Date	Status	Item	A	I	Material	Short Text	Quantity	Unit	Delivery Date	Per	Requisnr.	Material Group	Plant	Stor. Loc.	PGr	Total Value
14.08.2023		10	K			Teflon Head Furnace	40	PC	25.08.2023	1	Robby	Supplies	PT SLCI		DBA	5,000,000

Item [10] Teflon Head Furnace

Material Data |
 Quantities/Dates |
 Valuation |
 Account Assignment |
 Source of Supply |
 Status |
 Contact Person |
 Texts |
 Delivery Address |
 Spec2000 / SC

Item Texts

- Item text ✓
- Item note
- Delivery text
- Material PO text

A...

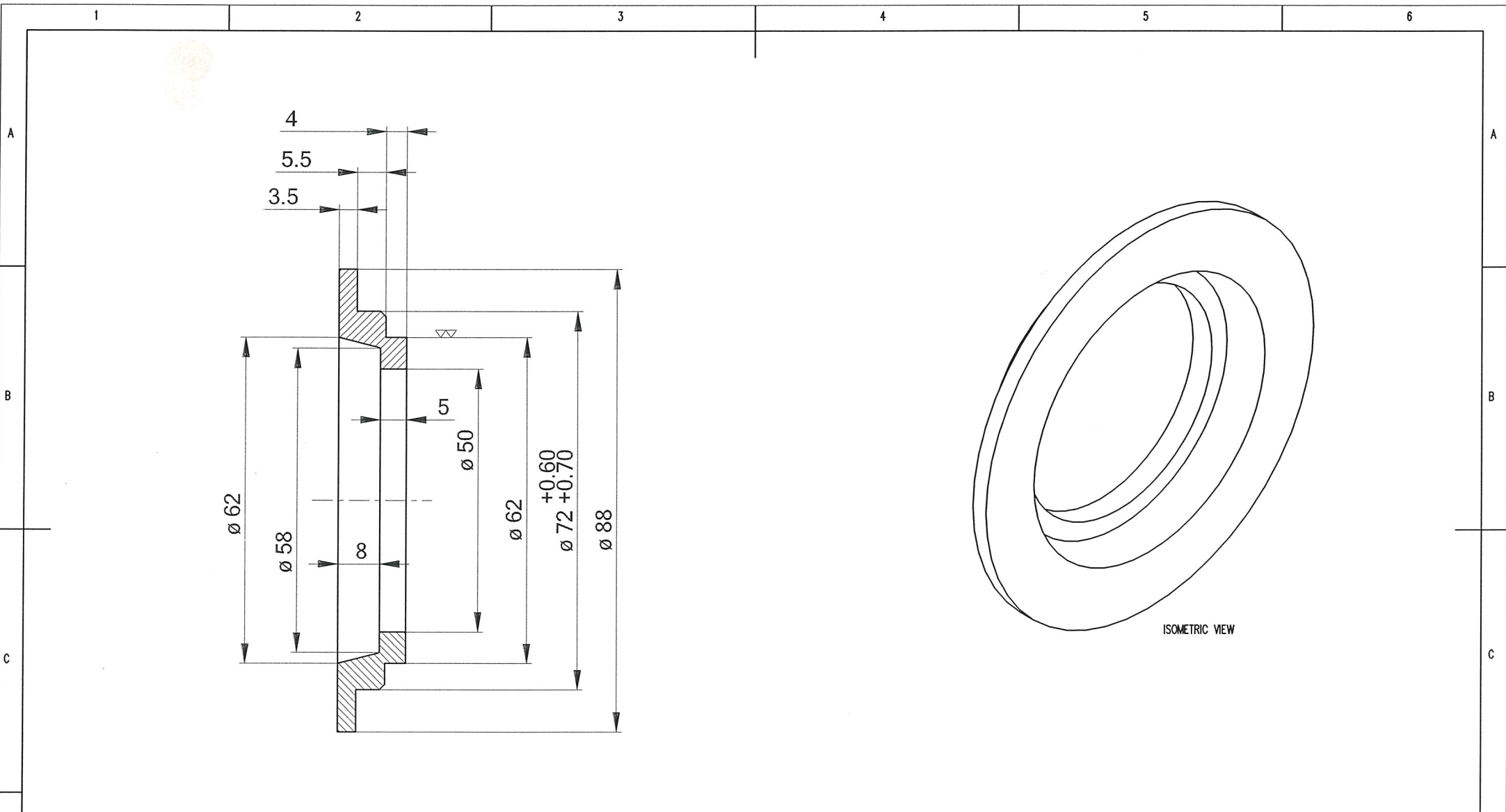
Purpose:

Boiler Furnace

GL: 523072

CC: 2011-10000

◀ ▶ Continuous-tex... ▼



** INCOMING PART WILL BE CHECK. IT WILL RETURN IF NOT PASS **

POLISHING	GRINDING	NORMAL MACHINING (SMOOTH SURFACE)	NORMAL MACHINING (ROUGH SURFACE)
▽▽▽	▽▽	▽	▽

1	TEFLON ADJUSTER	1	TEFLON	-
POS	DESCRIPTION	QTY	MATERIAL	REMARKS
FILE DIR: _		SCALE: 1:1 DIM: mm		ASSY NO.
MECHANICAL ENGINEERING SECTION				
DIM: mm	NAME	DATE	SIGN	TITLE BOILER - FURNACE
DRAWN	ENDEN	-		
DESIGN	YESSIKO			
CHECK	YESSIKO			
APRV	MNUGRAHA			
(*) = GENERAL TOLERANSI ±0.2% x DIMENSION				
REF DWG NO.				
PT SCG LIGHTWEIGHT CONCRETE INDONESIA		A4	2012-DWG-BAC-FU-M-002	
			REV NO.	PAGE
			-	-

TEFLON HEAD FURNACE