

Display Purchase Req. 1021013977

Document Overview On Personal Setting

2010 PR frm MRP/CBP ▾ 1021013977

Header

Default Values

Requisn Date	Status	Item	A	I	Material	Short Text	Quantity	Unit	Delivery Date	Per	Requisnr.	Material Group	Plant	Stor. Loc.	PGr	Total Value
21.09.2023		10	K			Coupling Motor Side (as DWG)	2	PC	23.10.2023	1	Robby	Supplies	PT SLCI		DBA	600,000
21.09.2023		20	K			Coupling Wheel Side (as DWG)	2	PC	23.10.2023	1	Robby	Supplies	PT SLCI		DBA	600,000

Item [10] Coupling Motor Side (as DWG) ▾

Material Data Quantities/Dates Valuation Account Assignment Source of Supply Status Contact Person Texts Delivery Address Spec2000 / SC

Item Texts A...

- Item text
- Item note
- Delivery text
- Material PO text

Purpose:

Replacement Coupling in Transfer Car Mixing

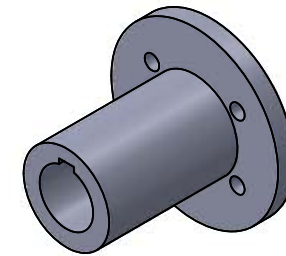
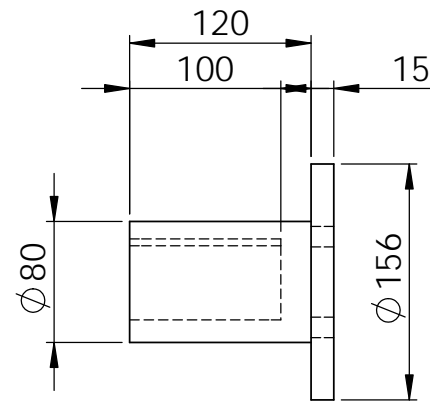
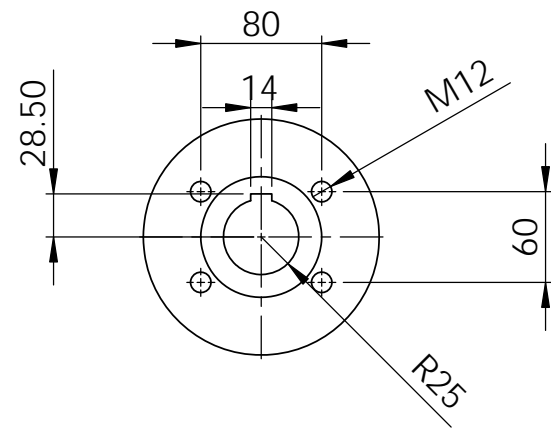
GL: 523072

CC: 2011-10000

Continuous-tex... ▾

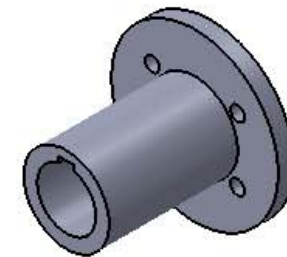
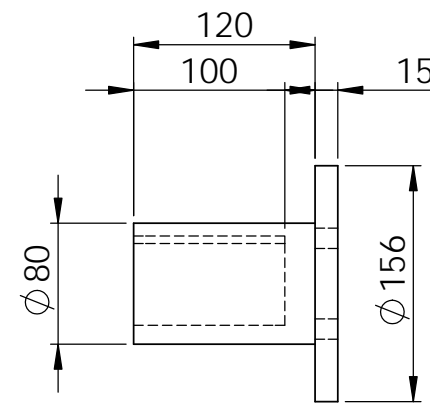
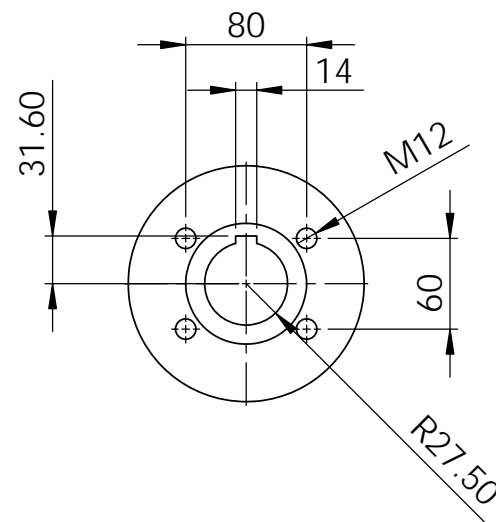
Coupling Motor side

Q'ty : 2 Sets



Coupling Wheel side

Q'ty : 2 Sets



UNLESS OTHERWISE SPECIFIED: DIMENSIONS ARE IN MILLIMETERS SURFACE FINISH: TOLERANCES: LINEAR: ANGULAR:				FINISH:		DEBUR AND BREAK SHARP EDGES		DO NOT SCALE DRAWING		REVISION	
NAME	SIGNATURE	DATE				TITLE:					
DRAWN											
CHK'D											
APPV'D											
MFG											
Q.A					MATERIAL:	DWG NO. Transfer car A3					
					SS400						
					WEIGHT:	SCALE:1:2 SHEET 8 OF 8					