

Display Purchase Req. 1021014145

Document Overview On Personal Setting

2010 PR frm MRP/CBP

Header

Default Values

Requisn Date	Status	Item	A	I	Material	Short Text	Quantity	Unit	Delivery Date	Per	Requisnr.	Material Group	Plant	Stor. Loc.	PGr	Total Value
19.10.2023		10	K			Extension Spring for Car Table	1	PC	31.10.2023	1	Robby	Supplies	PT SLCI		DBA	350,000

Item



- Material Data
- Quantities/Dates
- Valuation
- Account Assignment
- Source of Supply
- Status
- Contact Person
- Texts
- Delivery Address
- Spec2000 / SC

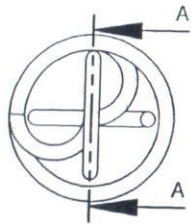
- Item Texts
- Item text
 - Item note
 - Delivery text
 - Material PO text

A... Purpose:
Spring Lock Car Table, Actual Part Already Broken & No Spare
GL: 523072
CC: 2011-11900

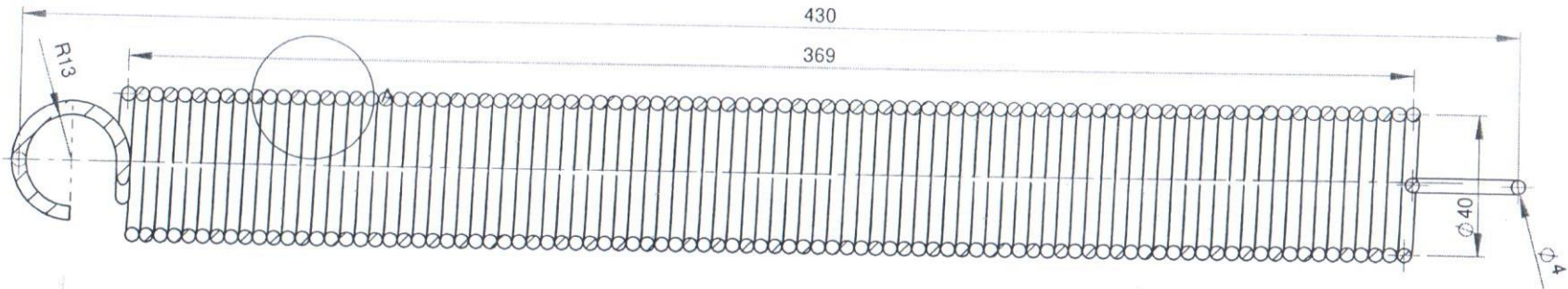
Continuous-tex...

A

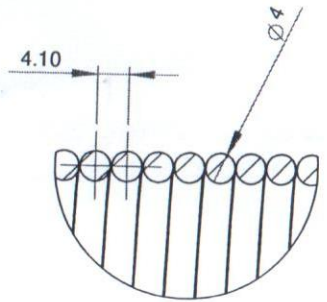
A



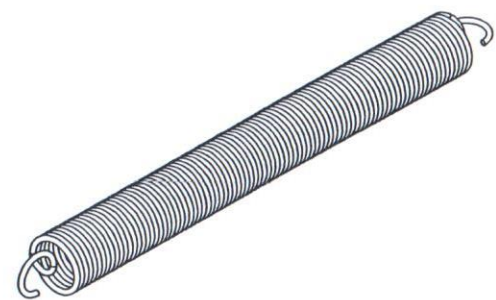
SCALE 1 : 2



SECTION A-A
SCALE 1 : 2



DETAIL A
SCALE 1 : 1



B

C

C

D

** INCOMING PART WILL BE CHECK. IT WILL RETURN IF NOT PASS **

POLISHING	GRINDING	NORMAL MACHINING (SMOOTH SURFACE)	NORMAL MACHINING (ROUGH SURFACE)
▽▽▽	▽▽	▽	▽

1	EXTENSION SPRING	1	SPRING STEEL	
POS	DESCRIPTION	QTY	MATERIAL	REMARKS
FILE DIR:		SCALE: 1:5		DIM: mm ASSY NO.
DIM: mm		MECHANICAL ENGINEERING SECTION		
DRAWN	ENDEN	9/4/2017	TITLE TRANSFER GSM	
DESIGN	ENDEN		<h1 style="text-align: center;">EXTENSION SPRING</h1>	
CHECK	GAMA			
APRV	RULLY			
CANCEL DWG NO.				
REF DWG NO.				