



Display Purchase Req. 1021014305

Document Overview On Personal Setting

2010 PR frm MRP/CBP ▾ 1021014305

Header

Default Values

Requisn Date	St...	Item	A	I	M	Short Text	Quantity	Unit	Delivery Date	P...	Requisitioner	Matl Group	Plant	Stor. Loc.	Purch. Grp	Total Value
13.11.2023		10	K			Fabrication Rack for Sparepart	1	LOT	24.11.2023	1	Robby	Supplies	PT SLCI		DBA	1,500,000

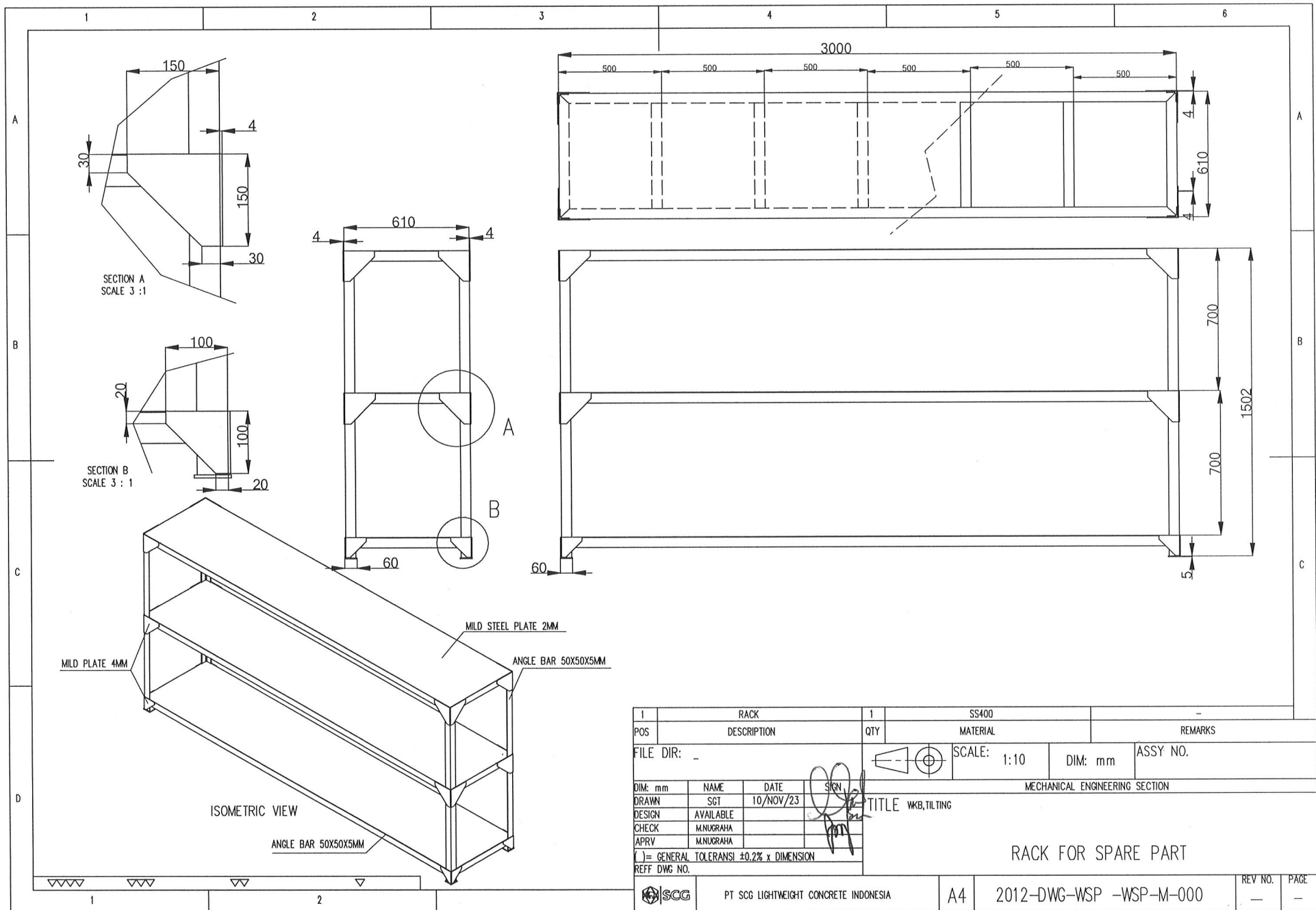
Item [10] Fabrication Rack for Sparepart ▾



Material Data | Quantities/Dates | Valuation | Account Assignment | Source of Supply | Status | Contact Person | Texts | Delivery Address | Spec2000 / SC

Item Texts	A...	
• Item text	✓	Purpose: Making Rack for Sparepart Storage GL: 521101 CC: 2011-11900
• Item note		
• Delivery text		
• Material PO text		

Continuous-tex... ▾



1	RACK	1	SS400	-
POS	DESCRIPTION	QTY	MATERIAL	REMARKS
FILE DIR: -		SCALE: 1:10	DIM: mm	ASSY NO.
MECHANICAL ENGINEERING SECTION				
DIM: mm	NAME	DATE	SIGN	TITLE
DRAWN	SGT	10/NOV/23		WKB, TILTING
DESIGN	AVAILABLE			
CHECK	M.NUGRAHA			
APRV	M.NUGRAHA			
(*) = GENERAL TOLERANSI ±0.2% x DIMENSION				
REF DWG NO.				
PT SCG LIGHTWEIGHT CONCRETE INDONESIA		A4	2012-DWG-WSP -WSP-M-000	REV NO. -
				PAGE -

RACK FOR SPARE PART