

# Display Purchase Req. 1021014690

Document Overview On | Personal Setting

2010 PR frm MRP/CBP | 1021014690

Header

Default Values

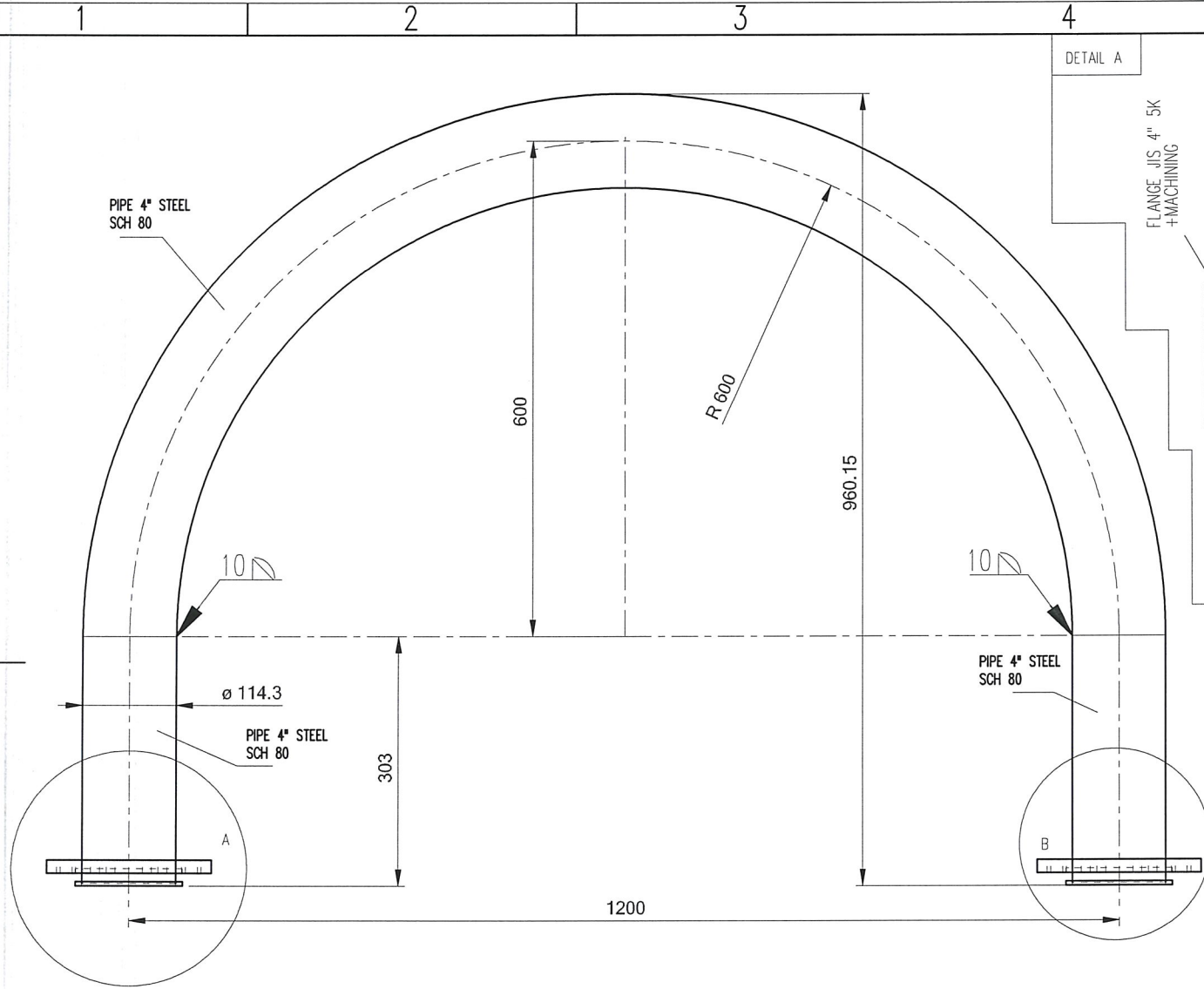
Requisn Date	Status	Item A I	Material	Short Text	Quantity	Unit	Delivery Date	Per	Requisnr.	Material Group	Plant	Stor. Loc.	PGr	Total Value
06.02.2024		10 K		Making U-Piping Palm kernel	1	PC	29.02.2024	1	Robby	Supplies	PT SLCI		DBA	6,500,000

Item [ 10 ] Making U-Piping Palm kernel

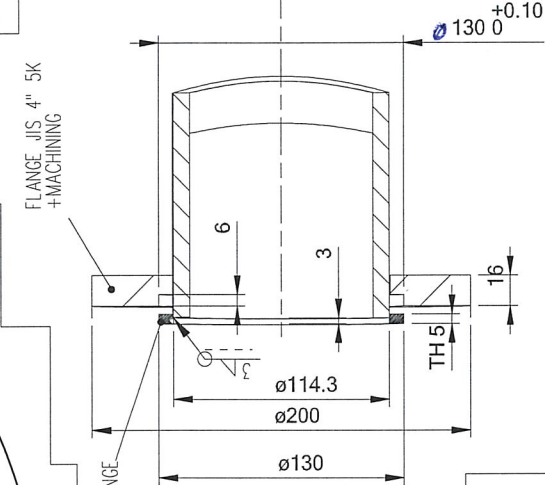
Material Data | Quantities/Dates | Valuation | Account Assignment | Source of Supply | Status | Contact Person | Texts | Delivery Address | Spec2000 / SC

Item Texts	A...	
•  Item text	<input checked="" type="checkbox"/>	<b>Purpose:</b> Making New U-Piping for Palm Kernel Boiler  GL: 523072 CC: 2011-11900
•  Item note	<input type="checkbox"/>	
•  Delivery text	<input type="checkbox"/>	
•  Material PO text	<input type="checkbox"/>	

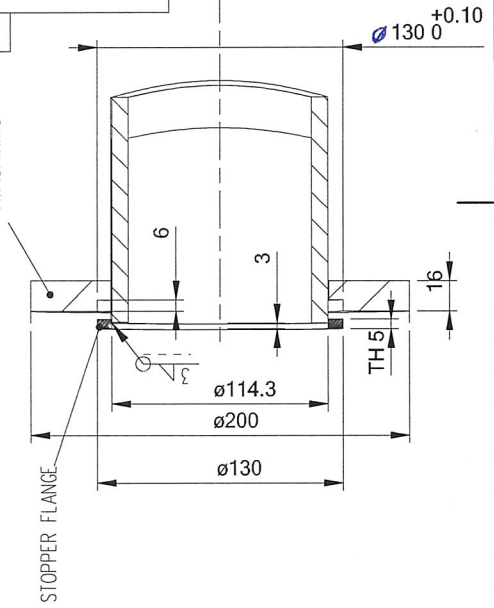
Continuous-tex...



DETAIL A



DETAIL B



NOTE: PIPE STEEL  $\phi 4\"$  : OD-114.3mm : ID-97.1mm

\*\* INCOMING PART WILL BE CHECK. IT WILL RETURN IF NOT PASS \*\*

POLISHING	GRINDING	NORMAL MACHINING (SMOOTH SURFACE)	NORMAL MACHINING (ROUGH SURFACE)
▽▽▽	▽▽	▽	▽

1	U-PIPING PALM KERNEL	1	SS-400	
POS	DESCRIPTION	QTY	MATERIAL	REMARKS
FILE DIR:		SCALE: 1:8		ASSY NO.
DIM: mm		MECHANICAL ENGINEERING SECTION		
DRAWN	NAME	DATE	SIGN.	TITLE BOILER AND AUTOCLAVE - PIPING
DESIGN	S. HUDA	14/JAN/21	[Signature]	
CHECK	TAUFIQ	19/10/21	[Signature]	
APRV	M. NUGRAHA		[Signature]	
( ) = GENERAL TOLERANSI $\pm 0.2\%$ x DIMENSION REFF DWG NO. -				

## U-PIPING PALM KERNEL