

# Display Purchase Req. 1021014813

Document Overview On | Personal Setting

2010 PR frm MRP/CBP | 1021014813

Header

Default Values

Requisn Date	St...	Item	A	I	M	Short Text	Quantity	Unit	Delivery Date	P...	Requisitioner	Matl Group	Plant	Stor. Loc.	Purch. Grp	Total Value
08.03.2024		10	K			Making New Wheel Car Table	2	PC	13.05.2024	1	Robby	Supplies	PT SLCI		DBA	13,000,000

Item [ 10 ] Making New Wheel Car Table



- Material Data
- Quantities/Dates
- Valuation
- Account Assignment
- Source of Supply
- Status
- Contact Person
- Texts
- Delivery Address
- Spec2000 / SC

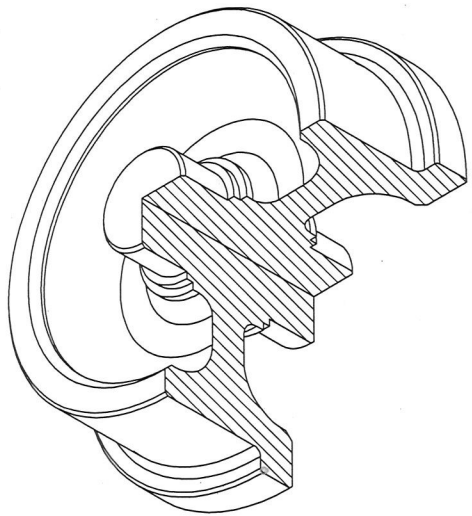
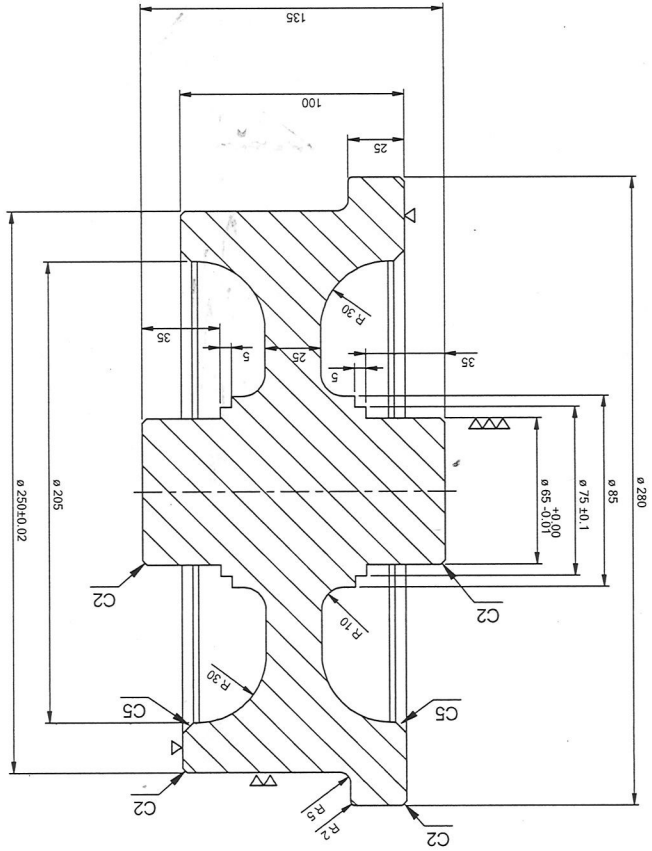
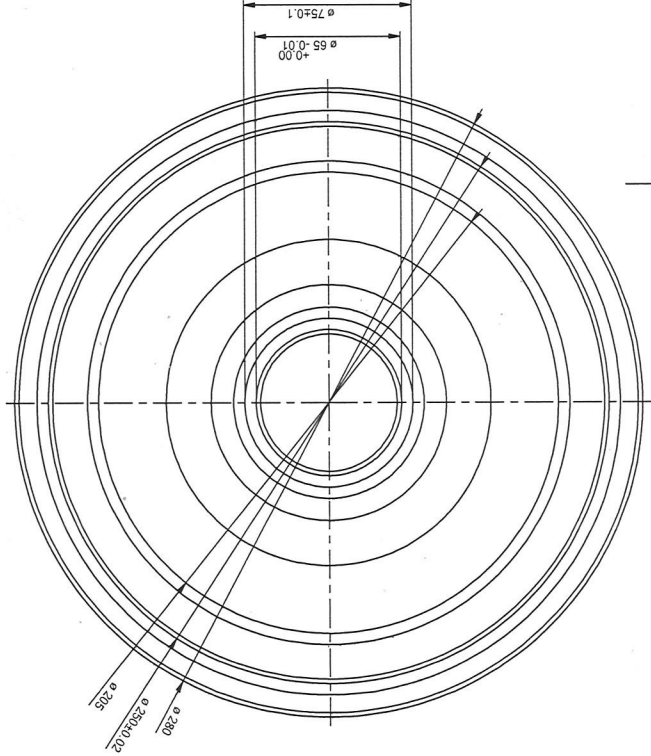
- Item Texts
- Item text
- Item note
- Delivery text
- Material PO text

A... Purpose:  
Wheel Car Table for Ready to Use GSM Transport (Impact Product Quality)  
GL: 523072  
CC: 2011-11900

Continuous-tex...

▽▽▽▽	GRINDING	▽▽	NORMAL MACHINING (SMOOTH SURFACE)	▽	NORMAL MACHINING (ROUGH SURFACE)
------	----------	----	-----------------------------------	---	----------------------------------

\*\* INCOMING PART WILL BE CHECK. IT WILL RETURN IF NOT PASS \*\*



ISOMETRIC VIEW

REF. DWG NO.	FILE DIR: -	SCALE: 1:3	DIM: mm	ASSY NO.	REMARKS
DRWN SGT	DATE 29/MAR/23	SIGN	MATERIAL FCD-700	QTY 1	DESCRIPTION WHEEL
DESIGN AVAILABLE	NAME SGT	DATE 29/MAR/23	MATERIAL FCD-700	QTY 1	DESCRIPTION WHEEL
CHECK DAMITA	NAME SGT	DATE 29/MAR/23	MATERIAL FCD-700	QTY 1	DESCRIPTION WHEEL
APRV MURAHYA	NAME SGT	DATE 29/MAR/23	MATERIAL FCD-700	QTY 1	DESCRIPTION WHEEL
TITLE GSM - CAR TABLE					
MECHANICAL ENGINEERING SECTION					
PT SC6 LIGHTWEIGHT CONCRETE INDONESIA					
A4					
2012-DWG-GSM-M-PL-000					
REV NO. 2					
PAGE -					