

Display Purchase Req. 1021014903

Document Overview On Personal Setting

2010 PR frm MRP/CBP 1021014903

Header

Requisn Date	Status	Item A I	Material	Short Text	Quantity	Unit	Delivery Date	Per	Requisnr.	Material Group	Plant	Stor. Loc.	PGr	Total Value
02.04.2024		10 K		Secondary Shaft Hammer Cru..	1	PC	18.04.2024	1	Robby	Supplies	PT SLCI		DBA	1,200,000

Item [10] Secondary Shaft Hammer Crusher

Material Data
Quantities/Dates
Valuation
Account Assignment
Source of Supply
Status
Contact Person
Texts
Delivery Address
Spec2000 / SC

Item Texts	A...	
• Item text		Purpose: Assembly Crusher Machine (RTU) GL: 523072 CC: 2011-11900
• Item note		
• Delivery text		
• Material PO text		

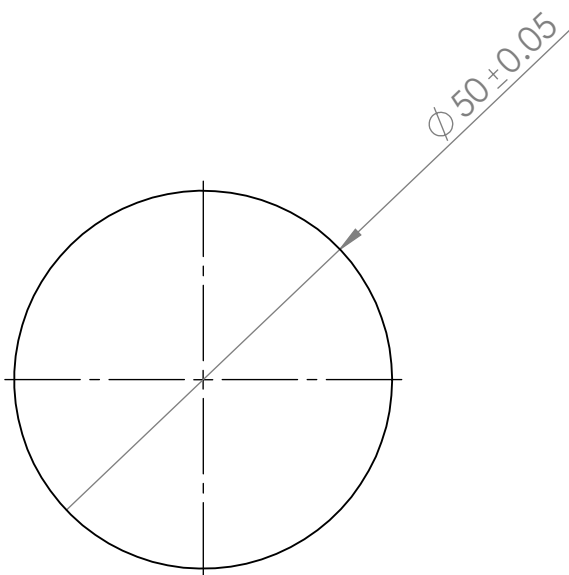
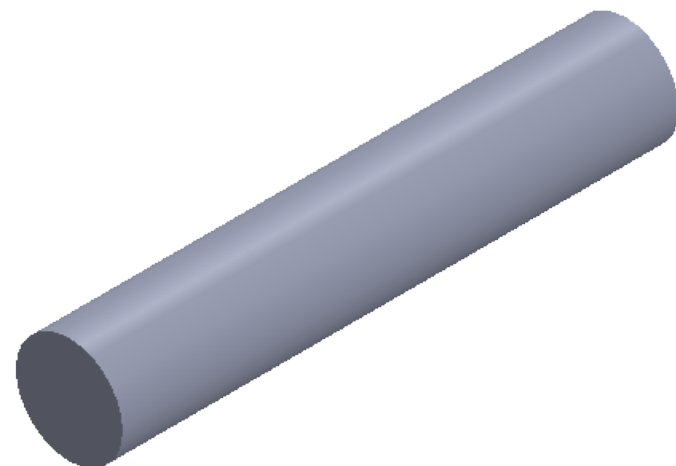
Continuous-tex...

4

3

2

1



1	SECONDARY SHAFT	1	S45C	-
POS	DESCRIPTION	QTY	MATERIAL	REMARKS
FILE DIR:			SCALE: 1:2	DIM: MM
DIM: MM	NAME		DATE	SIGN
DRAWN	ROBBY			SECONDARY SHAFT HAMMER CRUSHER
DESIGN	ROBBY			
CHECK	M. MOECHLIS			
APPROVE	M. MOECHLIS			
()=GENERAL TOLERANSI 0.2% X DIMENSION REFF DWG NO.				

4

3

2

1

B

B

A

A