

# Display Purchase Req. 1021015118

Document Overview On | | Personal Setting

2010 PR frm MRP/CBP ▾ 1021015118

Header

Default Values

Requisn Date	Status	Item A I	Material	Short Text	Quantity	Unit	Delivery Date	Per	Requisnr.	Material Group	Plant	Stor. Loc.	PGr	Total Value
27.05.2024		10 K		Making New Wheel Car Table	2	PC	08.07.2024	1	Robby	Supplies	PT SLCI		DBA	10,000,000

Item [ 10 ] Making New Wheel Car Table ▾

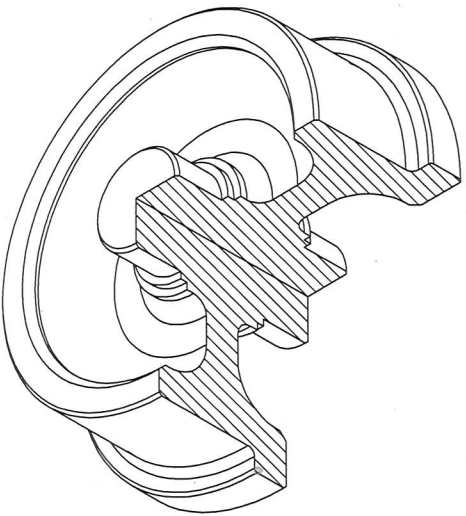
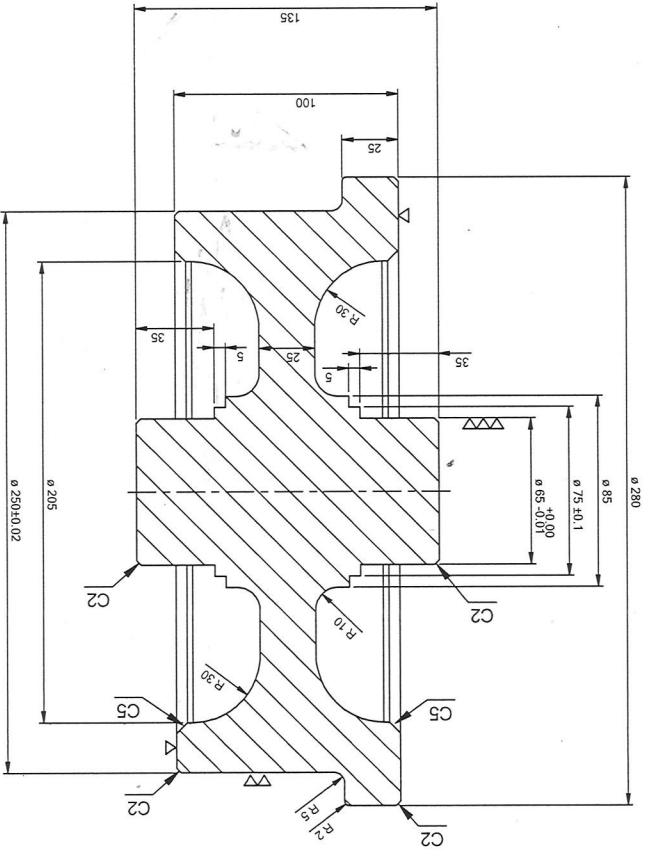
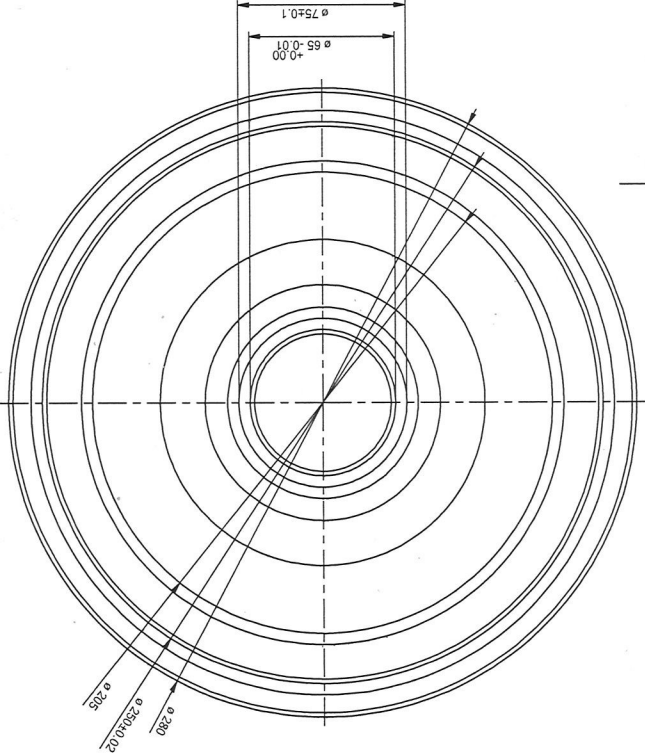
Material Data | Quantities/Dates | Valuation | Account Assignment | Source of Supply | Status | Contact Person | Texts | Delivery Address | Spec2000 / SC

Item Texts	A...	
•  Item text	✓	Purpose: Prepare Ready to Use GSM Transport Wheel (Quality Component)  GL: 523072 CC: 2011-11900
•  Item note		
•  Delivery text		
•  Material PO text		

◀ ▶ Continuous-tex... ▾

▽▽▽▽	GRINDING	▽▽	NORMAL MACHINING (SMOOTH SURFACE)	▽	NORMAL MACHINING (ROUGH SURFACE)
------	----------	----	-----------------------------------	---	----------------------------------

\*\* INCOMING PART WILL BE CHECK. IT WILL RETURN IF NOT PASS \*\*



ISOMETRIC VIEW

REF. DWG NO.	FILE DIR: -	SCALE: 1:3	DIM: mm	ASSY NO.	REMARKS
DRWN SGT	DATE 29/MAR/23	SIGN			
DESIGN AVAILABLE					
CHECK DAMITA					
APRV MANURAH					
TITLE GSM - CAR TABLE					
MECHANICAL ENGINEERING SECTION					
POS	DESCRIPTION	QTY	MATERIAL		
1	WHEEL	1	FCD-700		30-33 HRC