

Display Purchase Req. 1021015381

Document Overview On

Personal Setting

2010 PR frm MRP/CBP 1021015381

Header



Default Values

Reqn Date	Status	Item A I	Material	Short Text	Quantity	Unit	Delivery Date	Per	Requisnr.	Material Group	Plant	Stor. Loc.	PGr	Total Value
22.07.2024		10 K		Repair Shaft MST 6/4 Pump	1	LOT	26.08.2024	1	Robby	Supplies	PT SLCI		DBA	5,000,000

Item [10] Repair Shaft MST 6/4 Pump

Material Data | Quantities/Dates | Valuation | Account Assignment | Source of Supply | Status | Contact Person | Texts | Delivery Address | Spec2000 / SC

- Item Texts
- Item text ✓
- Item note
- Delivery text
- Material PO text

A...

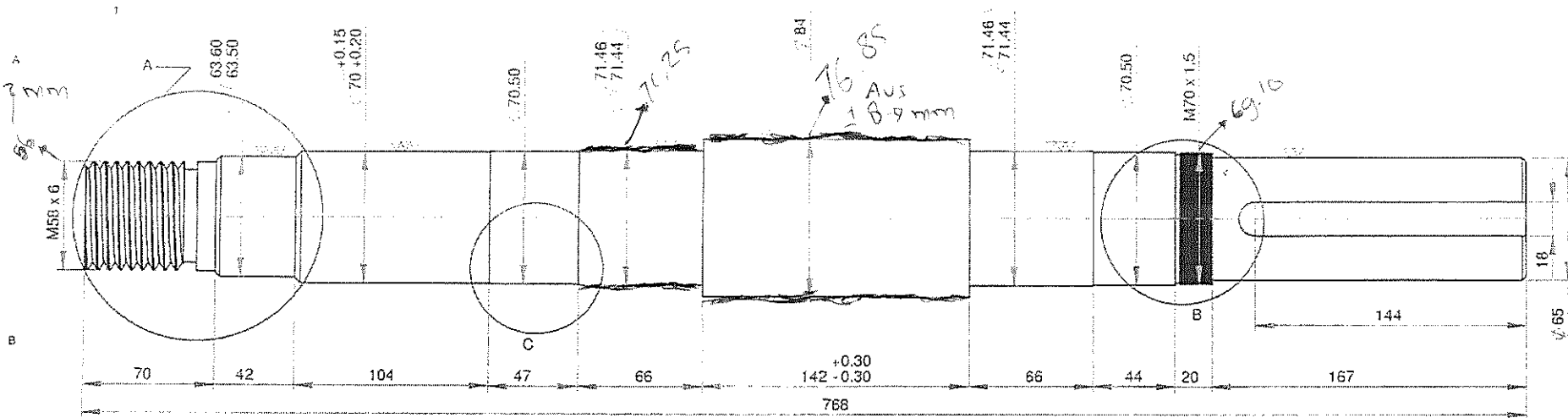
Purpose:

Repair Shaft MST 6/4 Pump;
- Repair Thread (Aus 2 mm) -> Position A
- Repair central shaft with bigger dia (Aus 9 mm)
- Repair Thread (Aus 1 mm) -> Position B

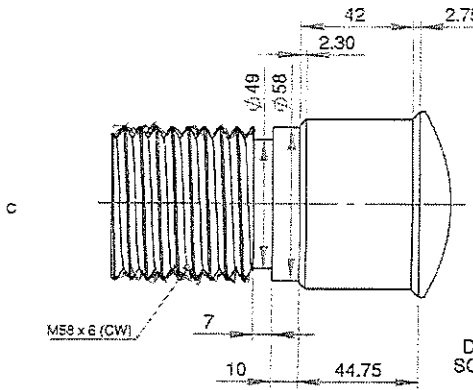
GL: 521101

Continuous-tex...

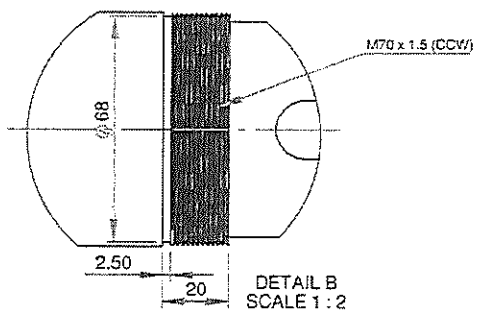
AVS ± 2 mm



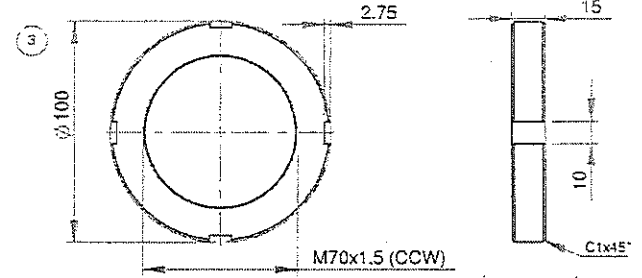
SCALE 1:3



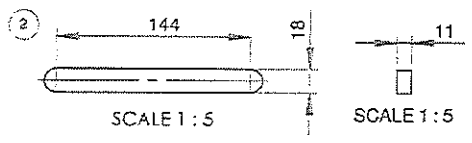
DETAIL A
SCALE 2:5



DETAIL B
SCALE 1:2

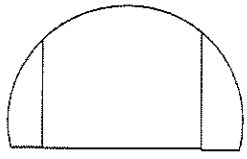


SCALE 1:3



SCALE 1:5

SCALE 1:5



DETAIL C
SCALE 1:2

** INCOMING PART WILL BE CHECK. IT WILL RETURN IF NOT PASS **

POLISHING GRINDING NORMAL MACHINING (SMOOTH SURFACE) NORMAL MACHINING (ROUGH SURFACE)

3	LOCKING PLATE	1	SS400	
2	KEY SHAFT	1	SS400	
1	SHAFT PUMP	1	VGN-15D	
POS	DESCRIPTION	QTY	MATERIAL	REMARKS
FILE DIR:		SCALE: 1:10		ASSY NO.
D192.768.4.15\mechanical\Draft Nuryana\Proyek Pak Yessiko\Pump MST6-4		MECHANICAL ENGINEERING SECTION		
DIM: mm	NAME	DATE	TITLE SLURRY PUMP MST 6/4	
DRAWN	ENDEN	11/7/2017		
DESIGN	SIGIT			
CHECK	YESSIKO			
APRV	RULLY			
CANCEL DWG NO.				
REFF DWG NO.				
PT SCG LIGHTWEIGHT CONCRETE INDONESIA		A4	2012-DWG-MPL-MS64-M-001-1	REV NO. PAGE
				1 2

SHAFT PUMP