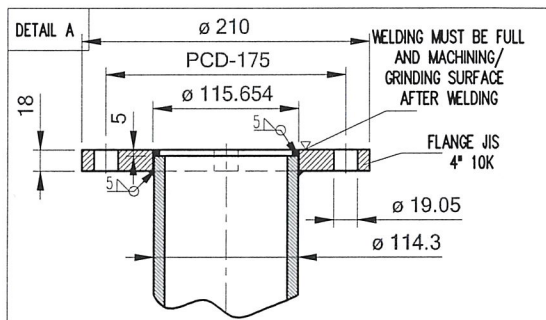
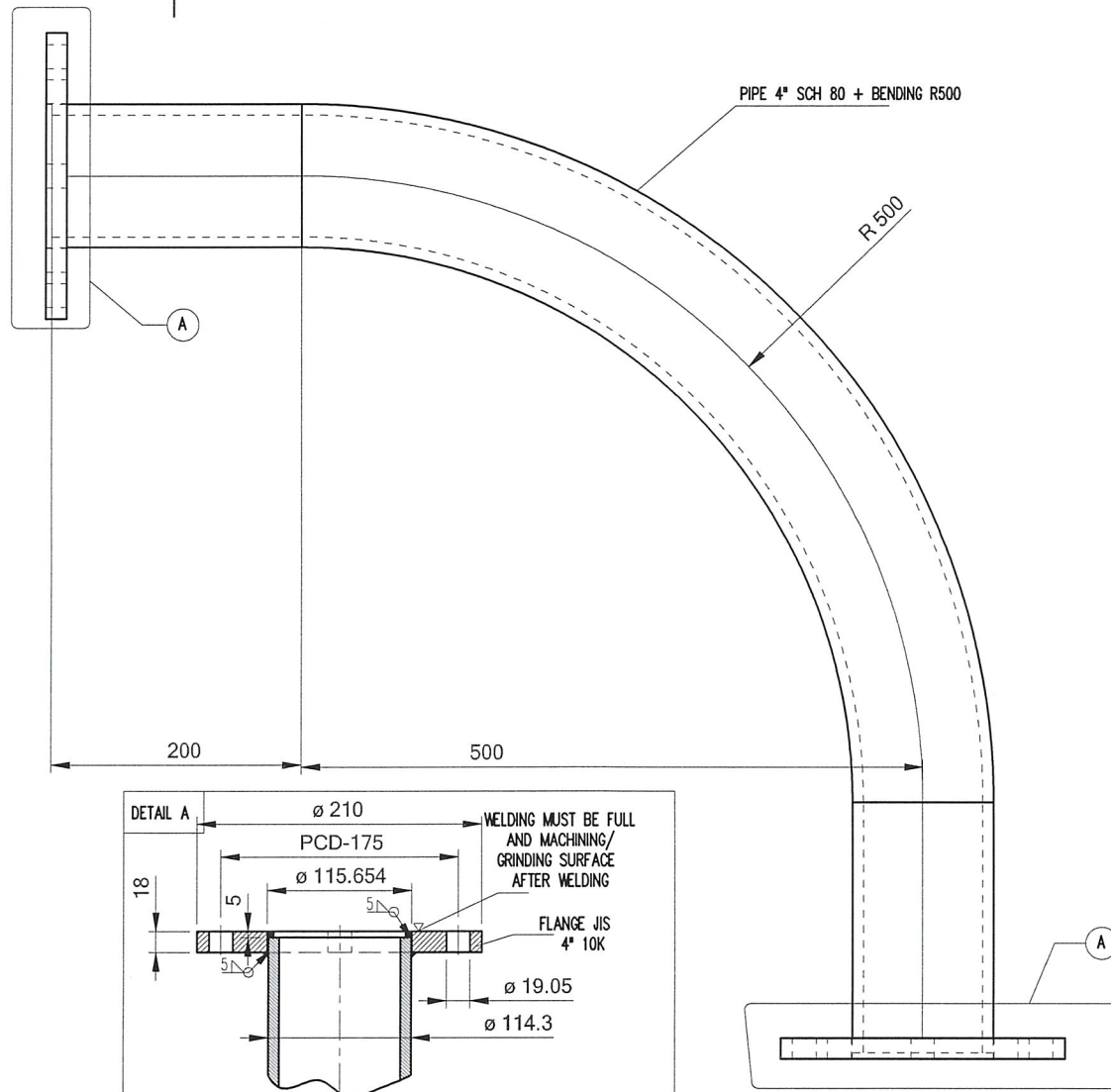


\*NB= ESTIMATION WEIGHT: 34 KG



\*\* INCOMING PART WILL BE CHECK. IT WILL RETURN IF NOT PASS \*\*

POLISHING	GRINDING	NORMAL MACHINING (SMOOTH SURFACE)	NORMAL MACHINING (ROUGH SURFACE)
▽▽▽	▽▽	▽	▽

1	LONG ELBOW 1	1	PIPE 4" SCH 80 + FLANGE 4" JIS 10K	-
POS	DESCRIPTION	QTY	MATERIAL	REMARKS
FILE DIR: _		SCALE: 1:6		ASSY NO.
DIM: mm		MECHANICAL ENGINEERING SECTION		
DRAWN	ENDEN	DATE	14/JAN/20	
DESIGN	B. ARIFIN	DATE	14/JAN/20	
CHECK	YESSIKO			
APRV	MNUGRAHA			
TITLE MIXING PLAN - WASTE CUTTING (MST 6/4 SLUSH PUMP)				
LONG ELBOW 1				
(*) = GENERAL TOLERANSI ±0.2% x DIMENSION				
REF DWG NO.				

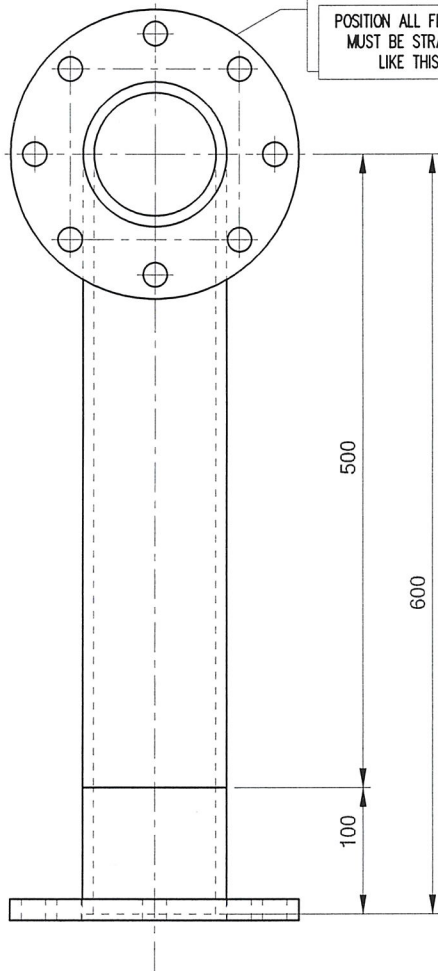


PT SCG LIGHTWEIGHT CONCRETE INDONESIA

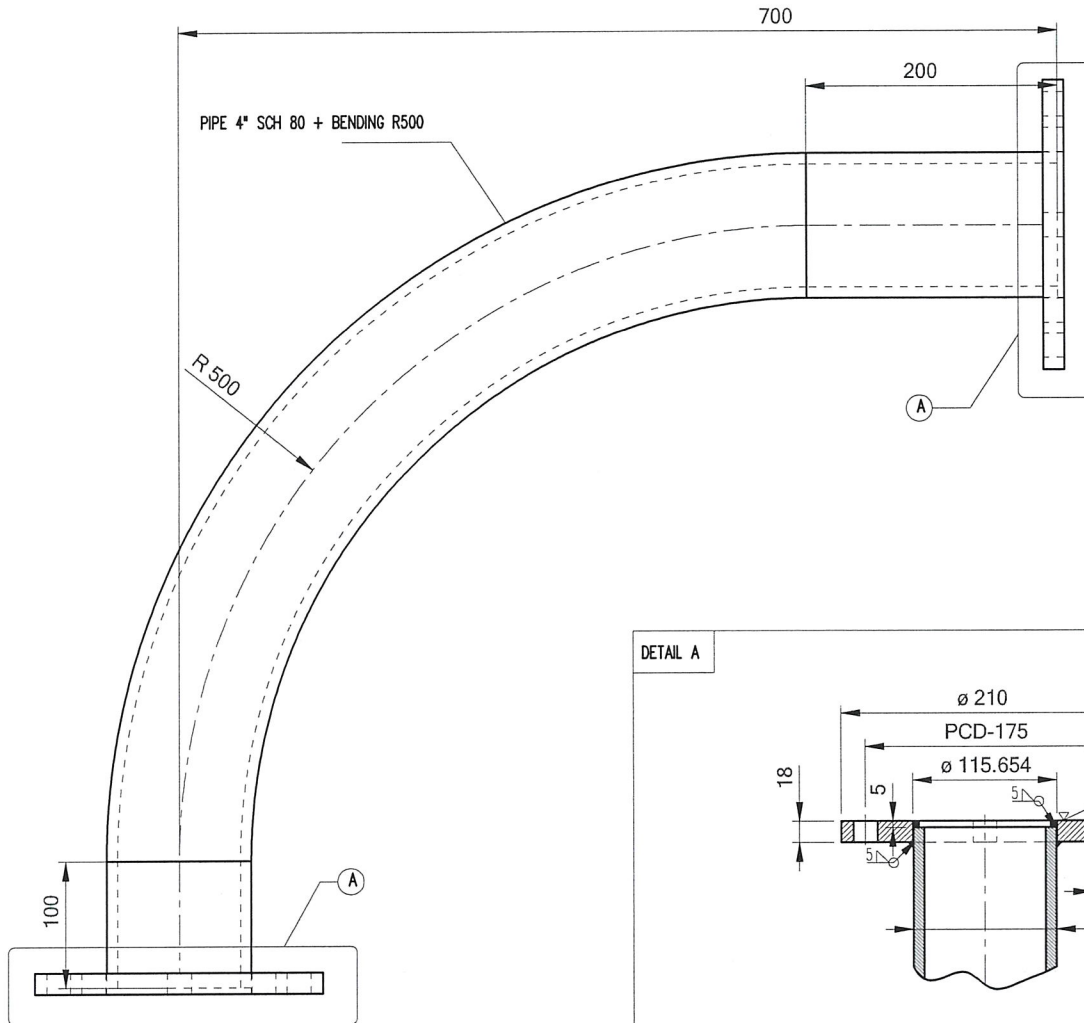
A4

2012-DWG-MPL-WC-M-002-N-3

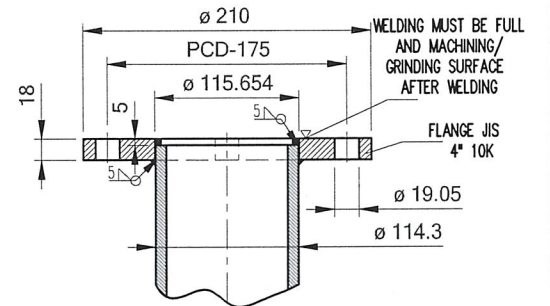
REV NO. PAGE  
- -



\*NB= ESTIMATION WEIGHT: 32 KG



DETAIL A



\*\* INCOMING PART WILL BE CHECK. IT WILL RETURN IF NOT PASS \*\*

POLISHING	GRINDING	NORMAL MACHINING (SMOOTH SURFACE)	NORMAL MACHINING (ROUGH SURFACE)
▽▽▽▽	▽▽▽	▽▽	▽

1	LONG ELBOW 2	1	PIPE 4" SCH 80 + FLANGE 4" JIS 10K	-
POS	DESCRIPTION	QTY	MATERIAL	REMARKS
FILE DIR:	-		SCALE: 1:6	DIM: mm ASSY NO.
MECHANICAL ENGINEERING SECTION				
TITLE MIXING PLAN - WASTE CUTTING (MST 6/4 SLUSH PUMP)				
LONG ELBOW 2				
(*) = GENERAL TOLERANSI ±0.2% x DIMENSION				
REF DWG NO.				



PT SCG LIGHTWEIGHT CONCRETE INDONESIA

A4

2012-DWG-MPL-WC-M-002-N-5

REV NO. PAGE

- -