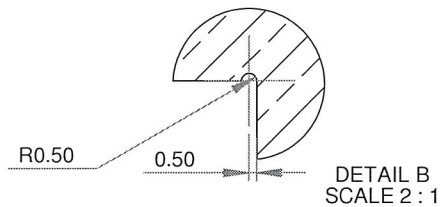
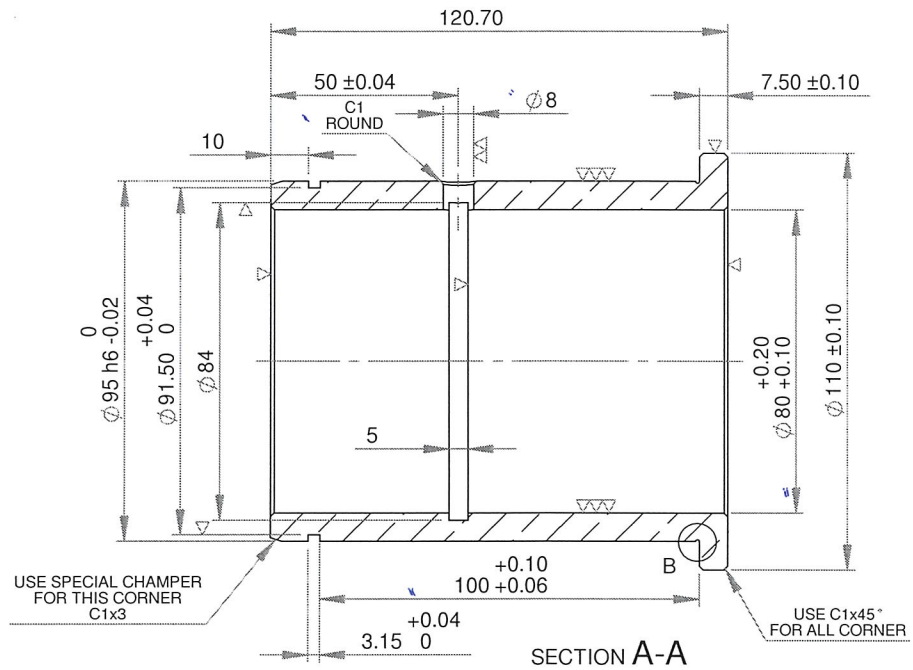


ISOMETRIC VIEW
SCALE 1:2
MASS: 2.2 KG



** INCOMING PART WILL BE CHECK. IT WILL RETURN IF NOT PASS **

POLISHING	GRINDING	NORMAL MACHINING (SMOOTH SURFACE)	NORMAL MACHINING (ROUGH SURFACE)
▽▽▽	▽▽	▽	▽

1	BUSHING	1	BRONZE	
POS	DESCRIPTION	QTY	MATERIAL	REMARKS
FILE DIR: \\192.168.4.15\mechanical\Draft Nuryana\Proyek Pak Arifin\Bushing tilling\		SCALE: 1:2 DIM: mm ASSY NO.		
DIM: mm		MECHANICAL ENGINEERING SECTION		
DRAWN	NAME	DATE	SIGN	
DESIGN	B.ARIFIN	16-Oct-18	TITLE CUTTING PLAN - TILTING	
CHECK	YESSIKO		BUSHING CUTTING BOARD MOVEMENT	
APRV	M. NUGRAHA			
CANCEL DWG NO.				
REF DWG NO.				



PT SCG LIGHTWEIGHT CONCRETE INDONESIA

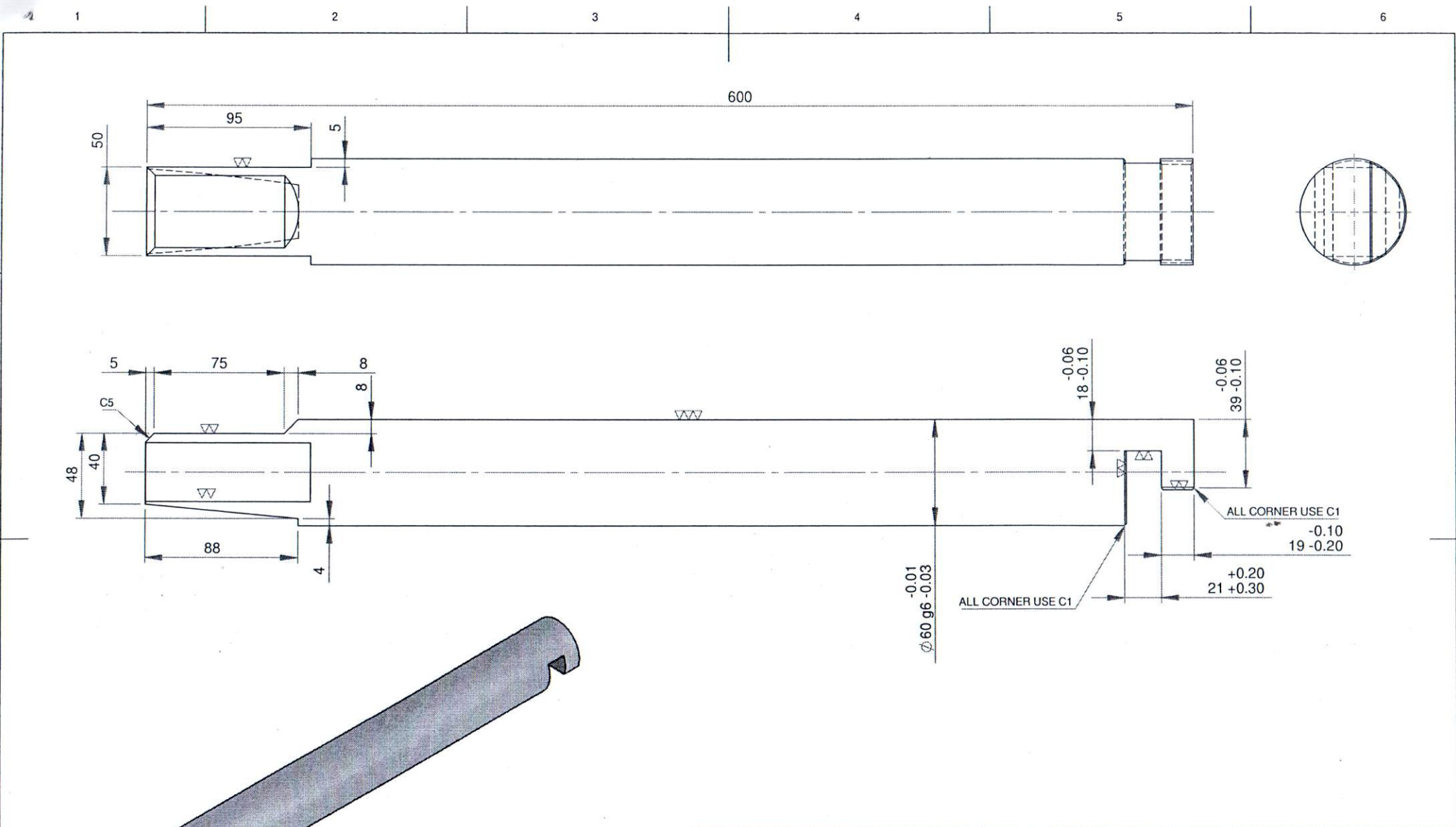
A4

2012-DWG-CP-M-000514-025

REV NO. | PAGE

2

1



ISOMETRIC VIEW
#NB: WIGHT= 11,201 KG

** INCOMING PART WILL BE CHECK. IT WILL RETURN IF NOT PASS **

POLISHING	GRINDING	NORMAL MACHINING (SMOOTH SURFACE)	NORMAL MACHINING (ROUGH SURFACE)
▽▽▽	▽▽	▽	▽

1	ROD CUTTING BOARD	1	VCN 150-HARDCHROME	40-50 HRC
POS	DESCRIPTION	QTY	MATERIAL	REMARKS
FILE DIR: \\T92.168.4.15\mechanical\Draft Nuryana\Proyek Pak Yessiko\ROD TILLING 2\			SCALE: 1:10	DIM: mm
			ASSY NO.	
DIM: mm	NAME	DATE	MECHANICAL ENGINEERING SECTION	
DRAWN	ENDEN	30-Jun-18	TITLE TILLING 2	
DESIGN	AVAILABLE			
CHECK	YESSIKO			
APRV	RULLY			
CANCEL DWG NO.				
REF DWG NO.				

ROD CUTTING BOARD